

Progressive Technology Enhanced Cameras



3 Megapixel Full HD Network Dome Camera SND-7082/7082F

Samsung introduces its updated line of 3MegaPixel Full HD Network Cameras designed for advanced surveillance solutions. These cameras come equipped with progressive technologies such as advanced WDR (Wide Dynamic Range) to provide superior images in high contrast scenes and Auto Back Focus to make installation simple. Other features include: SSSDR (Samsung Super Dynamic Range) to enhance color reproduction and resolution and reduce signal noise, Face Detection - prioritizing faces in an image, Audio Detection - alerting the system to events beyond the camera's field of view, ROI (Region of Interest) - spotlighting the critical areas in the camera's field of view, and True Day/Night for superior images in the dark.

- Max 3M (2048 x 1536), 16 : 9 Full HD (1080p) resolution
- H.264 & MJPEG dual codec
- 3 ~ 8.5mm (2.8x) motorized varifocal lens • Simple Focus
- Advanced WDR (96dB) / 30fps@2MP WDR
- Face Detection, Audio Detection
- UPnP (Auto Port Forwarding)

3 Megapixel Full HD Network Dome Camera

SND-7082/7082F



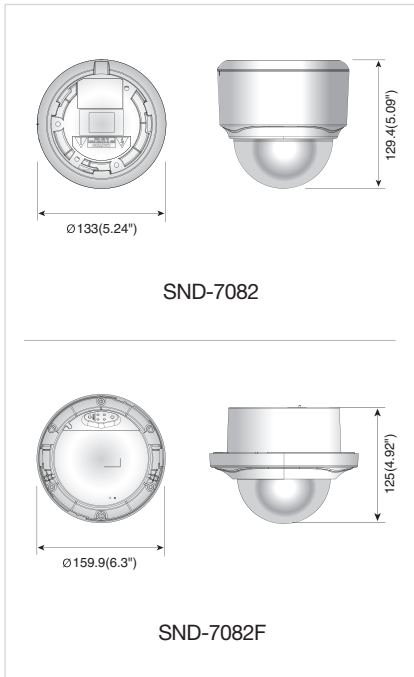
Specifications

SND-7082(F)N/P

| | |
|----------------------------------|--|
| VIDEO | |
| Imaging Device | 1/3" 3.1M PS CMOS |
| Total Pixels | 2,064 (H) x 1,578 (V) |
| Effective Pixels | 2,052 (H) x 1,536 (V) |
| Scanning System | Progressive |
| Min. Illumination | Color : 0.7 Lux (F1.2, 50IRE), 0.011 Lux (Sens up 60X) B/W : 0.07 Lux (F1.2, 50IRE), 0.001 Lux (Sens up 60X) |
| S / N Ratio | 50dB |
| Video Out | CVBS : 1.0 Vp-p / 75Ω composite, 704 x 480(N), 704 x 576(P), for installation |
| LENS | |
| Focal Length (Zoom Ratio) | 3 ~ 8.5mm (2.8x) motorized varifocal |
| Max. Aperture Ratio | F1.2 |
| Angular Field of View | H : 87.3° (Wide) ~ 31.2° (Tele), V : 64.5° (Wide) ~ 23.4° (Tele) |
| Min. Object Distance | 0.5m (1.64ft) |
| Focus Control | Manual, Simple focus, Day&Night |
| Lens Type | DC Auto Iris |
| Mount Type | Board-in type |
| PAN / TILT / ROTATE | |
| Pan Range | 0° ~ 355° |
| Tilt Range | 0° ~ 90° |
| Rotate Range | 0° ~ 355° |
| OPERATIONAL | |
| Camera Title | Off / On (Displayed up to 15 characters) |
| Day & Night | Auto (ICR) / Color / B/W / External |
| Backlight Compensation | Off / BLC / HLC |
| Wide Dynamic Range | Off / On (96dB) 3M Mode : 20fps, 2M Mode : 30fps |
| Contrast Enhancement | SSDR (Samsung Super Dynamic Range) (Off / On) |
| Digital Noise Reduction | SSNRfill (2D+3D Noise Filter) (Off / On) |
| Motion Detection | Off / On (4 Rectangular zones) |
| Privacy Masking | Off / On (1ea 4 Point Polygonal + 16ea Rectangular zones) |
| Sens-up (Frame Integration) | Off / Auto (2x~60x) |
| Gain Control | Off / Low / Midium / High |
| White Balance | ATW / AWC / Manual / Indoor / Outdoor |
| Electronic Shutter Speed | Auto / A.FLK / Manual (1/30 ~ 1/12,000sec) |
| Flip / Mirror | Off / On |
| Intelligent Video Analytics | Audio detection, Face detection, Scene change, Virtual line, Enter / Exit, Appear / Disappear |
| Alarm I/O | Digital I/1 |
| Alarm Triggers | Motion detection, Video analytics, Sensor input |
| Alarm events | File upload via FTP, E-Mail / Notification via E-Mail, TCP / local storage (SD/SDHC) recording at Network disconnected External output |
| NETWORK | |
| Ethernet | RJ-45 (10/100BASE-T) |
| Video Compression Format | H.264 (MPEG-4 Part 10/AVC), MJPEG |
| Resolution | 3M Mode - 2048 x 1536 / 1920 x 1080 / 1600 x 1200 / 1280 x 1024 / 1280 x 960 / 1280 x 720 / 1024 x 768 800 x 600 / 800 x 450 / 640 x 480 / 640 x 360 / 320 x 240 / 320 x 180 2M Mode - 1920 x 1080 / 1280 x 1024 / 1280 x 960 / 1280 x 720 / 1024 x 768 / 800 x 600 / 800 x 450 640 x 480 / 640 x 360 / 320 x 240 / 320 x 180 |
| Max. Framerate | 3M Mode - H.264 : Max 20fps at all resolutions MJPEG : 800 x 600 ~ 320 x 180 - 20 fps 1024 x 768 ~ 1920 x 1080 - 15 fps / 2048 x 1536 - 10 fps 2M Mode - H.264 : Max 30fps at all resolutions MJPEG : 800 x 600 ~ 320 x 180 - 30 fps 1024 x 768 ~ 1920 x 1080 : 15 fps |
| Smart Codec | Yes (Area based method) |
| Video Quality Adjustment | H.264 : Compression level, Target bitrate level control / MJPEG : Quality level control |
| Bitrate Control Method | H.264 : CBR or VBR / MJPEG : VBR |
| Streaming Capability | Multiple streaming (Up to 6 profiles) |
| Audio I/O | Mic/Line in , Line out |
| Audio Compression Format | G.711 u-law, G.726 (16Kbps, 24Kbps, 32Kbps, 40Kbps) |
| Audio Communication | Bi-directional |
| IP | IPv4, IPv6 |
| Protocol | TCP/IP, UDP/IP, RTP (UDP), RTP (TCP), RTSP, NTP, HTTP, HTTPS, SSL, DHCP, PPPoE, FTP, SMTP, ICMP, IGMP, SNMPv1/ v2c / v3 (MIB-2), ARP, DNS, DDNS, QoS, UPnP |
| Security | HTTPS (SSL) login authentication, Digest login authentication, IP address filtering, User access log, 802.1X authentication |
| Streaming Method | Unicast / Multicast |
| Max. User Access | 10 users at unicast mode |
| Memory Slot | SD / SDHC memory slot |
| ONVIF Conformance | Yes |
| Webpage Language | English, French, German, Spanish, Italian, Chinese, Korean, Russian, Japanese, Swedish, Danish, Portuguese, Turkish, Polish, Czech, Rumanian, Serbian, Dutch, Croatian, Hungarian, Greek |
| Web Viewer | Supported OS : Windows XP / VISTA / 7, MAC OS X 10.7 or higher Supported Browser : Internet explorer 7.0 or higher, Firefox 9.0 or higher, Chrome 15.0 or higher, Safari 5.1 or higher |
| Central Management Software | NET-i viewer |
| ENVIRONMENTAL | |
| Operating Temperature / Humidity | -10°C ~ +55°C (+14°F ~ +131°F) / 20% ~ 80% RH |
| ELECTRICAL | |
| Input Voltage / Current | DC 12V, PoE (IEEE802.3af) |
| Power Consumption | Max. 9.0W (DC 12V, PoE (class3)) |
| MECHANICAL | |
| Color / Material | Body : Ivory / Plastic |
| Dimension (WxH) | SND-7082 : Ø133 x 129.4 mm (Ø5.24" x 5.09") / SND-7082F : Ø159.9 x 125 mm (Ø6.3" x 4.92") (Flush mounting type) |
| Weight | SND-7082 : 635g (1.41lb) / SND-7082F : 700g (1.54lb) |

Dimensions

Unit : mm (inch)



Design and specifications are subject to change without notice.

■ DISTRIBUTED BY

