



Long Distance UTP Solution



High Resolution WDR UTP Dome Camera

SUD-3080/3080F

SUD-3080/3080F are high resolution dome cameras with a built-in UTP transmitter that extends the range of video transmission. These UTP cameras are a cost effective solution to coax, which are easy to install and fully compatible with existing products which use Samsung Techwin's UTP transmission systems.

- Transmits clear video up to 900m (3,000ft) (With power supply hub)
- Built-in 3.9x (2.8 ~ 11mm) varifocal lens with auto iris
- High resolution of 600TV lines in color, Min. illumination of 0.3Lux
- 3D filtering noise reduction technology, SSNR III
- VPS (Virtual Progressive Scan), Coaxial control
- Intelligent Video (Detection / Tracking / Moved / Fixed)



High Resolution WDR UTP Dome Camera

SUD-3080/3080F



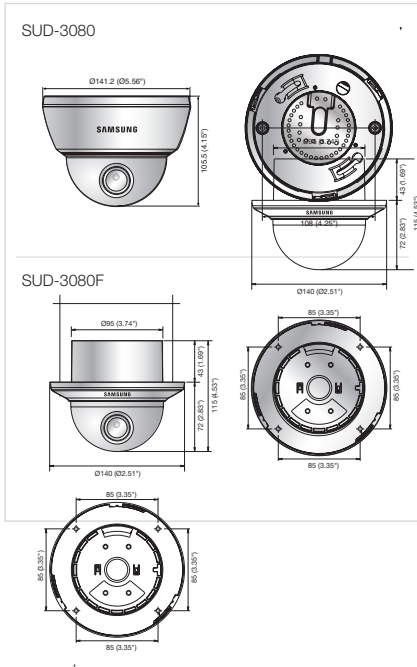
SUD-3080

SUD-3080F

Specifications

	SUD-3080N/3080FN	SUD-3080P/3080FP
ELECTRICAL		
Input Voltage	12V DC / 24V AC / 28V AC	
Power Consumption	Max. 4.0W	
VIDEO		
Imaging Device	1/3" Vertical double density interline CCD	
Total Pixels	811(H) x 508(V)	795(H) x 596(V)
Effective Pixels	768(H) x 494(V)	752(H) x 582(V)
Scanning System	2 : 1 Interlace / Progressive	
Synchronization	Internal / Line lock	
Frequency	H : 15.734KHz / V : 59.94Hz	H : 15.625KHz / V : 50Hz
Horizontal Resolution	Color : 600TV lines / B/W : 700TV lines	
Min. Illumination	Color : 0.3Lux (50 IRE@F1.2), 0.0006Lux (Sens-up, 512x) B/W : 0.01Lux (50 IRE@F1.2), 0.00002Lux (Sens-up 512x)	
S / N (Y signal)	52dB (AGC off, Weight on)	
Video Output	CVBS : 1.0Vp-p / 75Ω composite	
UTP	Built-in UTP TX (Transmission length Max.900m (300ft) : Balanced differential signal 100Ω)	
LENS		
Zoom Ratio	3.9X (Manual)	
Focal Length	2.8 ~ 11mm (F1.2)	
Max. Aperture Ratio	1 : 1.2(Wide) ~ 2.8(Tele)	
Angular Field of View	H : 102°(Wide) ~ 28°(Tele) / V : 73°(Wide) ~ 21°(Tele)	
PAN / TILT / ROTATE		
Pan Range	0° ~ 340°	
Tilt Range	0° ~ 73°	
Rotate Range	0° ~ 340°	
OPERATIONAL		
On Screen Display	English, Japanese, Spanish, French, Portuguese, Taiwanese, Korean	English, French, German, Spanish, Italian, Chinese, Russian, Polish, Czech, Romanian, Serbian, Swedish, Danish, Turkish, Portuguese
Camera Title	Off / On (Displayed 15 characters)	
Day & Night	Auto (ICR) / Color / B/W / EXT	
SSDR	On / Off (Level adjustable)	
Backlight Compensation	WDR / User BLC / HLC / SSSDR / Off	
Wide Dynamic Range	128x	
VPS (Virtual Progressive Scan)	On / Off	
Intelligent Video	Detection / Tracking / Moved / Fixed / Alarm out	
Digital Zoom	On / Off (1x ~ 16x)	
Digital Image Stabilization	On / Off	
Privacy Masking	On / Off (12 programmable zones)	
2D+3D Noise Filter(SSNR III)	On / Off (Level adjustable)	
Sens-up (Frame Integration)	Auto / Off (Selectable limit ~ 512x)	
Gain Control	Low / High / Off	
White Balance	ATW / Outdoor / Indoor / Manual / AWC (1,700K° ~ 11,000K°)	
Electronic Shutter Speed	1/60 ~ 1/120,000sec	1/50 ~ 1/120,000sec
Shutter Mode	Fixed, ESC, Manual, A,FLK	
Reverse	Off / H-REV / V-REV / HV-REV	
Communication	RS-485, Coaxial control	
Protocol	Samsung-T, Samsung-E, Pelco-D, Pelco-P, Bosch, Panasonic, Honeywell, Vicon	
ENVIRONMENTAL		
Operating Temperature / Humidity	-10°C ~ +50°C (+14°F ~ +122°F) / less than 90% RH	
MECHANICAL		
Dimension (WxHxD)	SUD-3080 : Ø141.2 x 105.5mm (Ø5.56" x 4.15") / SUD-3080F : Ø140 x 115mm (Ø5.51" x 4.53")	
Weight	SUD-3080 : 520g (1.15 lb) / SUD-3080F : 435g (0.96 lb)	
Certifications	FCC (Class A), UL/cUL listed	CE (Class A), UL/cUL listed

Dimensions



UTP Kit

