

Tough HD

1.3MP HD Vandal-Resistant IR Network Camera



1.3Megapixel HD Vandal-Resistant IR Dome Camera

SNV-5080R

The SNV-5080R is a high performance vandal resistant dome camera featuring built-in IR LEDs making it suitable for use in the most demanding applications. With H.264 compression and HD megapixel output (720p) it is capable of illuminating subjects up to 15m from the camera in order to provide bandwidth-friendly, high resolution images both during the day and at night. Encased in a tough vandal resistant housing and weatherproof to IP66, the SNV-5080R is suitable for installation both indoors and outdoors and built to last.

- Max. 1.3M (1280 x 1024) resolution
- HD (720p) display support
- 3 ~ 8.5mm (2.8x) motorized varifocal lens
- H.264 / MJPEG / MPEG-4 multiple codecs
- IP66, SDR, SSNRIII, PoE
- BNC output support



1.3Megapixel HD Vandal-Resistant IR Dome Camera

SNV-5080R



Specifications

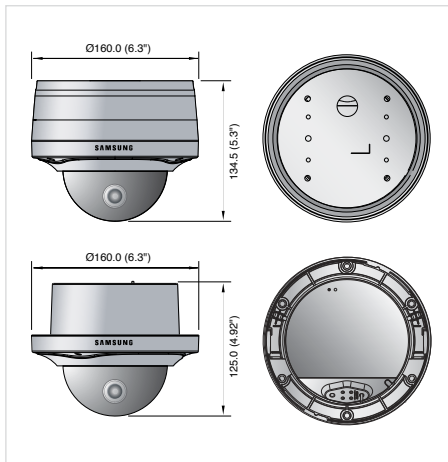


SNV-5080RN/P

VIDEO	
Imaging Device	1/3" 1.3M PS CMOS
Total Pixels	1,384(H) x 1,076(V)
Effective Pixels	1,329(H) x 1,049(V)
Scanning System	Progressive
Min. Illumination	Color : 0.3 Lux (F1.2, 50IRE), 0.005 Lux (Sens up 60X), B/W : 0Lux (F1.2, 50IRE, IR LED ON)
S / N Ratio	50dB
Video Output	CVBS : 1.0 Vp-p / 75Ω composite, 704x480(N), 704x576(P), for installation
LENS	
Focal Length (Zoom Ratio)	3~8.5mm (2.8X) Motorized Vari-focal
Max. Aperture Ratio	F1.2
Angular Field of View	H : 91.0°(Wide) ~ 32.1°(Tele), V : 72.2°(Wide) ~ 25.7°(Tele)
Focus Control	Remote control via network (Manual, One-shot AF)
Lens Type	DC Auto Iris
Mount Type	Board-in type
PAN / TILT / ROTATE	
Pan Range	0° ~ 355°
Tilt Range	0° ~ 90°
Rotate Range	0° ~ 355°
OPERATIONAL	
IR LED	15 ea
Viewable Length	15m
Camera Title	Off / On (Displayed up to 15 characters)
Day & Night	Auto (ICR) / Color / B/W
Backlight Compensation	Off / BLC / HLC
Contrast Enhancement	SSDR (Samsung Super Dynamic Range) (Off / On)
Digital Noise Reduction	SSNRIII (2D+3D Noise filter) (Off / On)
Motion Detection	Off / On (4 programmable zones)
Privacy Masking	Off / On (12 programmable zones)
Sens-up (Frame Integration)	Off / Auto (2X ~ 60X)
Gain Control	Off / Low / Medium / High / Manual
White Balance	ATW / AWC / Manual / Indoor / Outdoor
Electronic Shutter Speed	Auto / A.FLK / Manual (1/30 ~ 30,000sec)
Flip / Mirror	Off / On
Intelligent Video Analytics	Scene Change, Virtual Line, Enter/Exit, Appear / Disappear
Alarm I/O	Input 1ea / Output 1ea (Relay)
NETWORK	
Ethernet	RJ-45 (10/100BASE-T)
Video Compression Format	H.264, MPEG4, MJPEG
Resolution	1280 x 1024, 1280 x 720P(HD), 1024 x 768, 800 x 600, 640 x 480, 320 x 240
Max. Framerate	22fps (1280 x 1024), 30fps (720P HD)
Video Quality Adjustment	H.264/MPEG4 : Compression Level, Target Bitrate Level Control, MJPEG : Quality Level Control
Bitrate Control Method	H.264/MPEG4 : CBR or VBR, MJPEG : VBR
Streaming Capability	Multiple Streaming (Up to 10 Profiles)
Audio I/O	Mic/Line in , Line out
Audio Compression Format	G.711 u-law
Audio Communication	2-Way
IP	IPv4, IPv6
Protocol	TCP/IP, UDP/IP, RTP(UDP), RTP(TCP), RTSP, NTP, HTTP, HTTPS, SSL, DHCP, PPPOE, FTP, SMTP, ICMP, IGMP, SNMPv1 / v2C / v3 (MIB-2), ARP, DNS, DDNS, ONVIF
Security	HTTPS(SSL) Login Authentication, Digest Login Authentication, IP Address Filtering User access Log, 802.1x Authentication
Streaming Method	Unicast / Multicast
Max. User Access	10 users at Unicast Mode
Memory Slot	SD/SDHC Memory Slot
ONVIF Conformance	Yes
Webpage Language	English, French, German, Spanish, Italian, Chinese, Korean, Russian, Japanese, Swedish, Danish, Portuguese, Turkish, Polish, Czech, Rumanian, Serbian, Dutch, Croatia, Hungary, Greek
Web Viewer	Supported OS : Windows XP / VISTA / 7, MAC OS, Supported Browser : Internet Explorer 6.0 or Higher, Firefox, Google Chrome, Apple Safari
Central Management Software	NET-i viewer
ENVIRONMENTAL	
Operating Temperature / Humidity	-40°C ~ +50°C (-40°F ~ +122°F) / ~ 90% RH
Ingress Protection	IP66 Grade (Waterproof)
ELECTRICAL	
Input Voltage / Current	12V DC, 24V AC, PoE (IEEE802.3af)
Power Consumption	Max. 9W or 650mA (Heater Off), Max. 13W or 800mA (Heater On)
MECHANICAL	
Color / Material	Body : Ivory / Aluminum
Dimensions (WxH)	Ø160 x 134.5mm (Ø6.3" x 5.3")
Weight	1.4Kg (3.09 lb)

Dimensions

Unit : mm (inch)



The Eco mark represents Samsung Techwin's will to create environment-friendly products, and indicates that the product satisfies the EU RoHS Directive.

Design and specifications are subject to change without notice.

