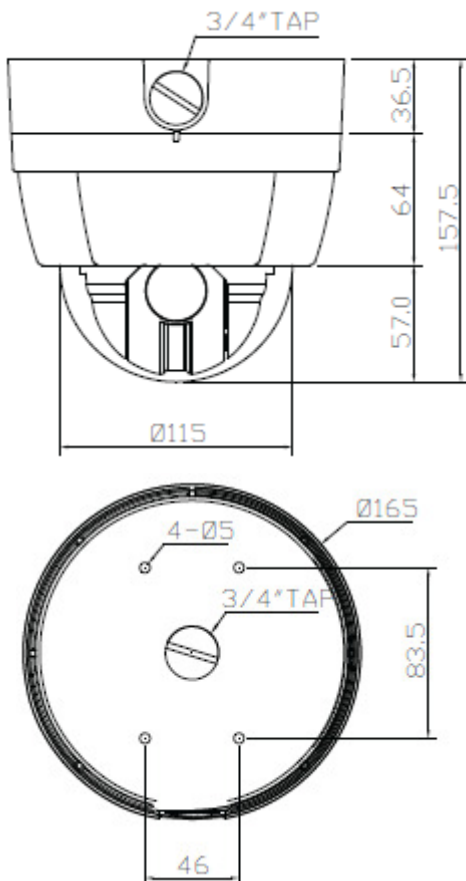


X10 HD-SDI PTZ CAMERA

PSD-1012N
PSD-1012P



● Dimension



1. General Features

Fast & Silent Motion

- Extremely quiet and low vibration
- Shortest Path by Vector Drive Technology
- High Accuracy with Micro-Stepping Control Technology
- Adaptive Pan Tilt speed to Zoom ratio
- Lightning Speed (MAX. 360°/sec)
- Smooth Manual Speed (MIN. 0.05°/sec)
- Endless 360° Pan Rotation

Superior Zoom Camera

- x120 Zoom Control(Optical x10, Digital x12)
- Day & Night (ICR)

Powerful Function

- Independent Camera Setup (AE, WB and etc.)
- 255 Preset Positions with Alphanumeric Labels
- 4 Pattern, 8 Scan and 8 Group Functions
- Power-up Action
- Built-in 1 Sensor Inputs and 1 Relay Output
- Vandal-Proof (Dome Cover : PC),
(Housing & Accessories : AL Die-cast)

2. Key Features

HD-SDI

SDI is the transmitting technology through the 75 Ω coaxial cable by serializing the video signal that is not compressed. The video signal that is transmitting through SDI is a kind of digital signal.

Therefore, contrary to the analog signal which is influenced by the deformation of video signal and the distance of transmit, it is possible to transmit the video signal without limitation of distance and deformation of signal through Equalization and Reclocking of the video signal at intervals.

Micro-Step Technology

Due to the Micro-stepping technology, one step angle is divided by 256. Accordingly, high accuracy as well as ultra low sound noise (under 60dB) can be achieved. Micro-stepping technology enables ultra low speed down to 0.05°/s for high zoom operations.

Vector Driving

Utilizing Vector drive technology, Pan and Tilt motion is done with simultaneous and harmonious manner.

Independent Camera Setup

Camera setup such as AWE, WB and etc can be configured on each preset view. Target spot in different distance and illumination can be watched with most preferred setup.

Vandal Proof Design

All housing is designed to withstand rugged environments. Aluminum die-casting enclosure and Poly Carbonate clear dome enables stable 24hours security tasks.

Weather Proof Design

Due to IP66 environment protection as well as built-in Fan & Heater, speed dome camera will serve you all the time regardless of rain, snow and storm.

Specification

CAMERA	
Image Device	1/3" 2Megapixel CMOS
S/N Ratio	50dB (AGC Off)
Zoom	X10 Optical Zoom X12 Digital Zoom
Focal Length	f = 5.1 ~ 51.0 mm, F1.8 ~ F2.1
Horizontal angle	50°(W) ~ 5.4 °(T)
MIN. Illuminance	Color: 12.0 lux @ 50IRE B/W: 1.2 lux @ 50IRE
Shutter Speed	1/2 ~ 1/10,000 sec (21Steps)
Day & Night	Auto / Day / Night (ICR)
Focus	Auto / Manual
Exposure Mode	Full Auto/ Shutter /Iris /Bright /Manual
White Balance	Auto / Manual /Indoor/Outdoor/ One-push Mode
AGC	Auto/Manual (-3dB ~ 18dB, 8Step)
BLC	On/Off

PAN / TILT	
Range	Pan : 360°(Endless)
	Tilt : 90°
Pan/Tilt Speed	Preset : 360°/ sec
	Manual : 0.05°~ 360°/ sec (Zoom Proportional)
	Scan : 1°~ 360°/ sec
Preset	255 Presets with Labels / Independent Camera Setup
Pattern	4 Patterns (Approx. 5 Minutes for Each Pattern)
Scan	8 Scans
Group	8 Groups (MAX. 20 Entries for Each Group)
Other Functions	Power-up Action & etc.

GENERAL	
Sensor In/Out	Built-in 1 Input/ 1 Output
Video Out	1080/60i, 1080/50i, 720/60p, 720/50p
Communication	RS-485
RS-485 Protocol	Auto(Pelco-D, Pelco-P, Samsung-E can be supported automatically)
OSD	ON / OFF
Power	AC 24V / DC 12V 15W
Approvals	FCC, CE, IP66, ROHS
Housing	Vandal Proof Structure Color: White Pearl
Material	Body: Aluminum Die-casting Clear Bubble: Polycarbonate
Dimension	Net (ØxH): Ø165 x 101.5(H) mm
Weight	Net: 2 Kg, Package: 3 Kg
Operating Temp.	-10°C ~ 50°C / 14°F ~ 122°F