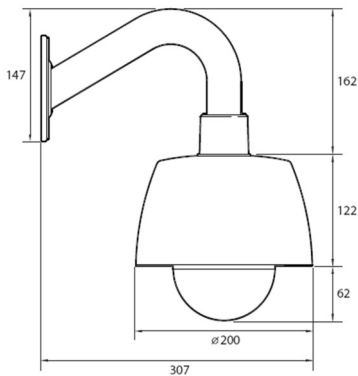


X12 SD OUTDOOR IP PTZ CAMERA

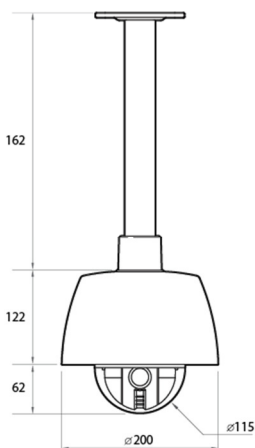
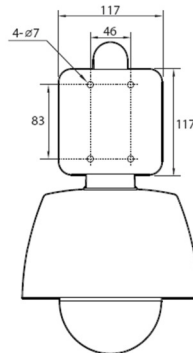
PSSN-122SN
PSSN-122SP



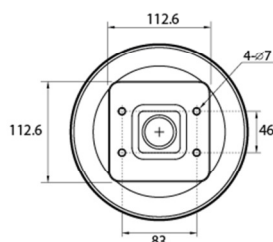
● Dimension



Wall Mount Bracket



Ceiling Mount Bracket



1. GENERAL FEATURES

- x144 Zoom Control (Optical x12, Digital x12)
 - 4.5" Bubble dome enclosure
 - Endless 360° Pan Rotation
 - Lightning Speed (MAX. 360°/sec) &
 - Smooth Manual Speed (MIN. 0.05°/sec)
 - Ultra Low Vibration due to S-curved acceleration & deceleration.
 - Day & Night (ICR)
 - 1024 Preset Positions with Alphanumeric Labels
 - 128 Pattern, 128 Scan and 128 Group Functions
 - Auto Flip, Auto Parking, Power-up Action
 - Built-in 2 Sensor Inputs and 1 Relay Output
 - Vandal-Proof
- (Dome Cover: PC / Housing & Accessories: AL Die-cast)

2. Key FEATURES

Triple codec, Simultaneous Multi-Streaming

Triple H/W codec enables to transmit Max 3 independent streams with different settings for different requirements. Therefore, it is possible to combine seamless remote video monitoring using H.264 with simultaneous transmission of high quality MPEG-4 to Network Video Recorder. Also, additional MJPEG can be delivered for Mobile devices such as Smart Phone or PDA.

Horizontal Resolution 550 TV Lines

By using latest image processing ESP, Horizontal Resolution of image can be 550 TV Lines.

Local SD Card Backup

Some important sequence of still images can be stored in the SDHC memory card. This action can be configured to work with pre-post-alarm event or a given interval.

Micro-Step Technology

Due to the Micro-stepping technology, one step angle is divided by 256. Accordingly, high accuracy as well as ultra low sound noise (under 60dB) can be achieved. Micro-stepping technology enables ultra low speed down to 0.05°/s for high zoom operations.

Vector Driving

Based on the shortest time and the smallest cost concept, each Pan and Tilt motion is done with simultaneous and harmonious manner by Vector drive technology.

Virtual Joystick on the Image

Virtual Joystick is inspired by real 3-Axis Joystick. You can decide PT direction by right clicking the image and change the zoom in out by scrolling mouse wheel. The PT speeds are proportional to how much you deviate mouse from the center. Using this function, control of PTZ is done in instinctive manner.

Auto Map Generation

After installing PTZ, make camera to generate the Scenery Map autonomously. It will process and stitch a series of pictures to make one overall Scenery map. Using Scenery map, you can quickly switch one place to another. By drawing a bow on the map, PTZ will move to the center of the box as well as adjust zoom ratio to match the box.

Specification

| CAMERA | | |
|------------------|--|-------------------|
| Mode | (NTSC) | (PAL) |
| Image Device | 1/4" SONY Ex-View HAD CCD | |
| Effective Pixels | 768(H)*494(V)380K | 752(H)*582(V)440K |
| Horizontal Res. | More than 550 TV Lines | |
| Zoom | X12 Optical Zoom / X12 Digital Zoom | |
| Focal Length | f = 3.4 (W) ~ 44.4 (T) mm, F1.6 (W) ~ F2.5 (T) | |
| View angle | H: 51.2°(W) ~ 5.58°(T) V: 39.3°(W) ~ 4.27°(T) | |
| MIN. Illuminance | Color: 1.0 lux, @ 50IRE, F1.6 B/W: 0.1 lux, @ 50IRE, F1.6 | |
| Day & Night | Auto / Day / Night (ICR) | |
| Focus | Auto/Manual/Semi-Auto | |
| Shutter Speed | 1/1~ 1/10,000 sec | 1/1~ 1/10,000 sec |
| AGC | Auto / Manual / Max Gain Limit | |
| White Balance | ATW / AWC / One Push / Manual / Indoor / Outdoor / Outdoor Auto | |
| WDR | On / Off | |
| DNR | On / Off | |
| Other Functions | System Image Flip by Installation Type | |

| PAN / TILT | |
|-----------------|--|
| Range | Pan : 360°(Endless) |
| | Tilt : 180°(Auto-Flip On), 90°(Auto-Flip Off) |
| Pan/Tilt Speed | Preset : 360°/ sec |
| | Manual : 0.05° ~ 360°/sec (Zoom Proportional) |
| | Scan : 1°~ 180°/ sec |
| Preset | 1024 Presets with Labels / Independent Camera Setup |
| Pattern | 128 Patterns |
| Scan | 128 Scans |
| Group | 8 Groups (MAX. 20 Entries for Each Group) |
| Other Functions | Image Auto Flip, Auto Parking, Power-up Action & etc. |

| GENERAL | |
|-----------------|---|
| Sensor In/Out | Built-in 2 Input/ 1 Output |
| Video Out | BNC: VBS 1.0 Vp-p |
| Power | DC 12V Heater Off : 15W Heater On : 25W |
| Approvals | FCC, CE, IP66, ROHS |
| Housing | Vandal Proof Structure Color: White Pearl |
| Material | Body: Aluminum Die-casting Clear Bubble: Polycarbonate |
| Dimension | Net (Ø×H): Ø200 x 205(H) mm |
| Weight | Net: 2.5 Kg, Package: 3.5 Kg |
| Operating Temp. | -40°C ~ 50°C / 40°F ~ 122°F |

| NETWORK | | |
|----------------------|--|---|
| OS | Embedded Linux | |
| Video Compression | Triple Codec, H.264/MPEG4/MJPEG | |
| Video Streaming | Multi Streaming CBR/VBR (Controllable frame rate and Bandwidth) | |
| Resolution | All Codec : 4CIF/CIF MJPEG : QCIF | All Codec : 4CIF/CIF MJPEG : QCIF |
| Frame Rate | Max.30fps for all Resolutions | Max.25fps for all Resolutions |
| Audio Compression | Two way, G.711 PCM. µ-law 64kbps 8kHz | |
| Local Storage | SDHC memory card (Card is not included) | |
| Motion detection | Notification: FTP, e-mail, Alarm out, JPEG Recording on SD | |
| Alarm | Pre-Post Alarm | |
| Max No. of Clients | 5 | |
| Protocols Support | IPv4 | ONVIF, TCP/IP, UDP/IP, RTP(UDP), RTSP, NTP, HTTP, HTTPS, SSL, DNS, DDNS, DHCP, FTP, SMTP, ICMP, SNMPv1/v2c/v3(MIB-2) |
| | IPv6 | TCP/IP, HTTP, HTTPS, DHCP |
| | DDNS | Proprietary: NET4C, Public DDNS services Support: www.dyndns.com, www.no-ip.com |
| | Security | HTTPS(SSL), Digest Authentication(ID/PW) |
| OS Supported | Windows 7, Vista, XP, 2000 | |
| Web-Viewer functions | Auto map, Virtual Joystick, Power PTZ | |