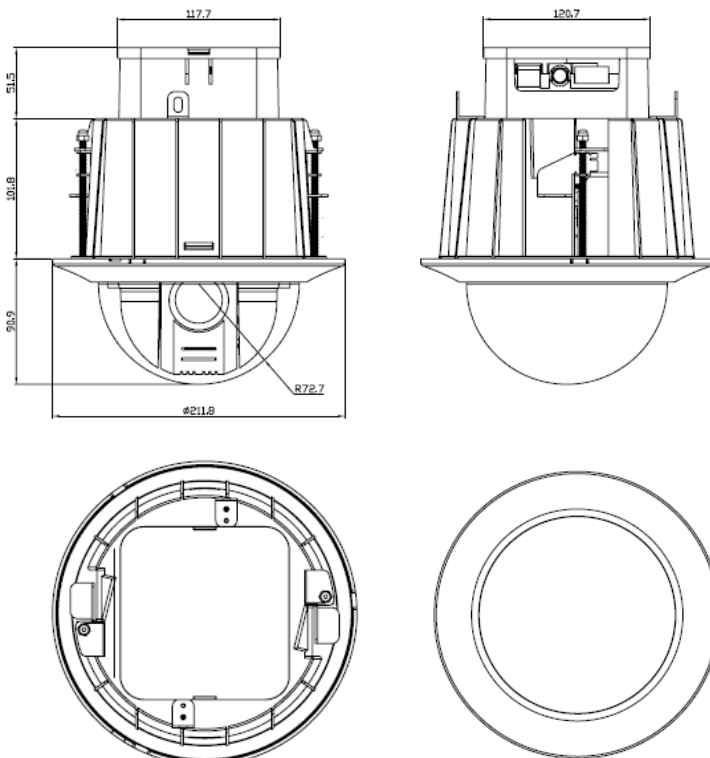


# X28 HD-SDI PTZ INDOOR CAMERA

PTID-2812N  
PTID-2812P



## ● Dimension



## 1. General Features

### Fast & Silent Motion

- Adaptive Pan Tilt speed to Zoom ratio
- Lightning Speed (MAX. 360°/sec)
- Smooth Manual Speed (MIN. 0.05°/sec)
- Endless 360° Pan Rotation

### HD Zoom Camera

- X336 Zoom Control(Optical x28, Digital x12)
- Day & Night (ICR)
- WDR(Wide Dynamic Range)
- DNR(Digital Noise Reduction)

### Powerful Function

- 255 Preset Positions with Alphanumeric Labels
- 4 Pattern, 8 Scan and 8 Group Functions
- 8 Privacy Zones (Spherical Coordinates)
- Power-up Action
- On-Screen Display of Real time and Temperature
- Built-in 8 Sensor Inputs and 4 Relay Output

## 2. Key Features

### HD-SDI

SDI is the transmitting technology through the 75 Ω coaxial cable by serializing the video signal that is not compressed. The video signal that is transmitting through SDI is a kind of digital signal.

Therefore, contrary to the analog signal which is influenced by the deformation of video signal and the distance of transmit, it is possible to transmit the video signal without limitation of distance and deformation of signal through Equalization and Reclocking of the video signal at intervals.

### Micro-Step Technology

Due to the Micro-stepping technology, one step angle is divided by 256. Accordingly, high accuracy as well as ultra low sound noise(under 60dB) can be achieved. Micro-stepping technology enables ultra low speed down to 0.05°/s for high zoom operations.

### Vector Driving

Utilizing Vector drive technology, Pan and Tilt motion is done with simultaneous and harmonious manner.

### Independent Camera Setup

Camera setup such as AWE, WB and etc can be configured on each preset view. Target spot in different distance and illumination can be watched with most preferred setup.

## Specification

CAMERA		GENERAL	
Image Device	1/4" 1.43Megapixel CMOS	Sensor In/Out	Built-in 8 Input/ 4 Output
S/N Ratio	50dB (AGC Off)	Video Out	720/60p, 720/50p
Zoom	X28 Optical Zoom X12 Digital Zoom	Communication	RS-485
Focal Length	f = 3.5 ~ 98.0 mm, F1.35 ~ F3.7	RS-485 Protocol	Auto(Pelco-D, Pelco-P, Samsung-E can be supported automatically)
Horizontal angle	55.9°(W) ~ 2.1 °(T)	OSD	ON / OFF
MIN. Illuminance	Color : 0.25 Lux @ F1.6 , 50 IRE, High sensitivity Mode B/W : 0.03Lux @ F1.6 , 50 IRE, High sensitivity Mode	Power	DC 12V 22W
Shutter Speed	1/2 ~ 1/10,000 sec (22Steps)	Approvals	FCC, CE, ROHS
Day & Night	Auto / Day / Night (ICR)	Material	Body: Plastic Clear Bubble: Polycarbonate
Focus	Auto / Manual	Dimension	Net (ØxH): Ø211.8 x 244.2(H) mm
Exposure Mode	Full Auto/ Shutter /Iris / Bright / Manual	Weight	Net: 1.75 Kg, Package: 2.4 Kg
White Balance	Auto WB / Indoor / Outdoor / One-push Mode WB / Manual WB	Operating Temp.	-10°C ~ 50°C / 14°F ~ 122°F
AGC	Auto / Manual ( -3dB ~ 28dB, 8Step)		
WDR	Auto / Off		
PAN / TILT			
Range	Pan : 360°(Endless)		
	Tilt : 180°		
Pan/Tilt Speed	Preset : 360°/ sec		
	Manual : 0.05°~ 200°/ sec (Zoom Proportional)		
	Scan : 1°~ 180°/ sec		
Preset	255 Presets with Labels / Independent Camera Setup		
Pattern	4 Patterns (Approx. 5 Minutes for Each Pattern)		
Scan	8 Scans		
Group	8 Groups (MAX. 20 Entries for Each Group)		
Other Functions	Power-up Action & etc.		