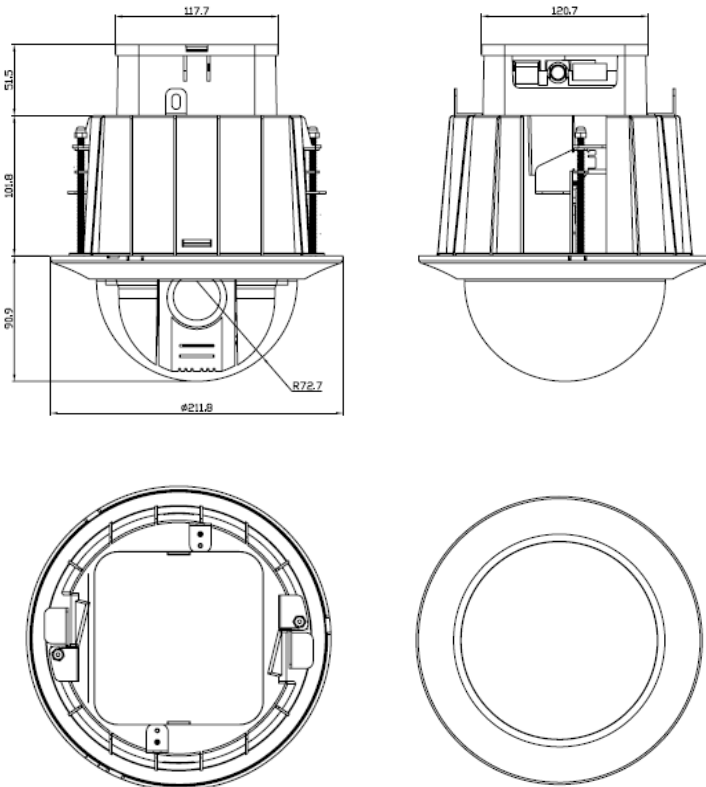


X39 SD INDOOR IP PTZ CAMERA

PTIN-391SN
PTIN-391SP



● **Dimension**



1. GENERAL FEATURES

- x468 Zoom Control (Optical x39, Digital x12)
 - 5.7" Bubble dome enclosure
 - Endless 360° Pan Rotation
 - Lightning Speed (MAX. 360°/sec) &
 - Smooth Manual Speed (MIN. 0.05°/sec)
 - Ultra Low Vibration due to S-curved acceleration & deceleration.
 - Day & Night (ICR)
 - 255 Preset Positions with Alphanumeric Labels
 - 4 Pattern, 8 Scan and 8 Group Functions
 - 7 Rules for Schedule function based on Day and Time
 - 8 Privacy Zone Masks
 - Auto Flip, Auto Parking, Power-up Action
 - Freeze in Preset function
 - Built-in 8 Sensor Inputs and 4 Relay Output
 - Vandal-Proof
- (Dome Cover: PC / Housing & Accessories: AL Die-cast)

2. KEY FEATURES

Triple codec, Simultaneous Multi-Streaming

Triple H/W codec enables to transmit Max 3 independent streams with different settings for different requirements. Therefore, it is possible to combine seamless remote video monitoring using H.264 with simultaneous transmission of high quality MPEG-4 to Network Video Recorder. Also, additional MJPEG can be delivered for Mobile devices such as Smart Phone or PDA.

Horizontal Resolution 600 TV Lines

By using latest image processing ESP, Horizontal Resolution of image can be 600 TV Lines.

Local SD Card Backup

Some important sequence of still images can be stored in the SDHC memory card. This action can be configured to work with pre-post- alarm event or a given interval.

Micro-Step Technology

Due to the Micro-stepping technology, one step angle is divided by 256. Accordingly, high accuracy as well as ultra low sound noise (under 60dB) can be achieved. Micro-stepping technology enables ultra low speed down to 0.05°/s for high zoom operations.

Vector Driving

Based on the shortest time and the smallest cost concept, each Pan and Tilt motion is done with simultaneous and harmonious manner by Vector drive technology.

Virtual Joystick on the Image

Virtual Joystick is inspired by real 3-Axis Joystick. You can decide PT direction by right clicking the image and change the zoom in out by scrolling mouse wheel. The PT speeds are proportional to how much it is deviated mouse from the center. Using this function, control of PTZ is done in instinctive manner.

Auto Map Generation

After installing PTZ, make camera to generate the Scenery Map autonomously. It will process and stitch a series of pictures to make one overall Scenery map. Using Scenery map, you can quickly switch one place to another. By drawing a bow on the map, PTZ will move to the center of the box as well as adjust zoom ratio to match the box.

Specification

CAMERA		
Mode	(NTSC)	(PAL)
Image Device	1/4" SONY Ex-View HAD Double Scan CCD	
Effective Pixels	768(H)*494(V)380K	752(H)*582(V)440K
Horizontal Res.	More than 560 TV Lines (600TVL B/W)	
S/N Ratio	52dB	
Zoom	X39 Optical Zoom / X12 Digital Zoom	
Focal Length	f = 3.4 (W) ~ 132.6 (T) mm, F1.6 (W) ~ F3.7 (T)	
View angle	H: 57.54°(W) ~ 1.56°(T) V: 44.44°(W) ~ 1.16°(T)	
MIN. Illuminance	Color: 1.2 lux, 0.004lux (Sens up x256) @ 50IRE B/W: 0.12 lux, 0.0004lux (Sens up x256) @ 50IRE	
Day & Night	Auto / Day / Night (ICR)	
Focus	Auto / Manual / Semi-Auto	
Shutter Speed	X256 ~ X2, 1/60~ 1/120,000 sec	X256 ~ X2, 1/50~ 1/120,000 sec
AGC	Off / Very Low/ Low/Middle/High/Very High/ User 1 ~ 16	
White Balance	ATW1 /ATW2 /AWC / Manual	
BLC / WDR	BLC ON / WDR ON / OFF	
IRIS	Auto / Manual	
DNR	Low / Middle / High / Off	
Other Functions	DIS, Frame Freeze Function, System Image Flip by Installation Type	

PAN / TILT	
Range	Pan : 360°(Endless)
	Tilt : 180°(Auto-Flip On), 90°(Auto-Flip Off)
Pan/Tilt Speed	Preset : 360°/ sec
	Manual : 0.05° ~ 200°/sec (Zoom Proportional)
	Scan : 1°~ 180°/ sec
Preset	255 Presets with Labels / Independent Camera Setup
Pattern	4 Patterns
Scan	8 Scans
Group	8 Groups (MAX. 20 Entries for Each Group)
Schedule	7 Rules (Condition : Day, Time → Action : Preset, Scan, Group, Pattern)
Privacy Zone	8 Zones
Other Functions	Image Auto Flip, Auto Parking, Power-up Action & etc.

GENERAL	
Sensor In/Out	Built-in 8 Input/ 4 Output
Video Out	BNC: VBS 1.0 Vp-p
Power	AC 24V 23W
Approvals	FCC, CE, ROHS
Material	Body: Plastic Clear Bubble: Polycarbonate
Dimension	Net (Ø×H): Ø211.8 x 244.2(H) mm
Weight	Net: 1.75 Kg, Package: 2.4 Kg
Operating Temp.	-10°C ~ 50°C / 14°F ~ 122°F

NETWORK		
OS	Embedded Linux	
Video Compression	Triple Codec,H.264/MPEG4/MJPEG	
Video Streaming	Multi Streaming CBR/VBR (Controllable frame rate and Bandwidth)	
Resolution	All Codec : 4CIF/CIF MJPEG : QCIF	All Codec : 4CIF/CIF MJPEG : QCIF
Frame Rate	Max.30fps for all Resolutions	Max.25fps for all Resolutions
Audio Compression	Two way, G.711 PCM. µ-law 64kbps 8kHz	
Local Storage	SDHC memory card (Card is not included)	
Motion detection	Area Mask : Notification: FTP, e-mail, Alarm out, JPEG Recording on SD	
Alarm	Pre-Post Alarm	
Max No. of Clients	5	
Protocols Support	IPv4	ONVIF, TCP/IP, UDP/IP, RTP(UDP), RTSP, NTP, HTTP,HTTPS, SSL, DNS, DDNS, DHCP, FTP, SMTP, ICMP, SNMPv1/v2c/v3(MIB-2)
	IPv6	TCP/IP, HTTP, HTTPS, DHCP
	DDNS	Propriety: NET4C, Public DDNS services Support: www.dyndns.com, www.no-ip.com
	Security	HTTPS(SSL), Digest Authentication(ID/PW)
OS Supported	Windows 7, Vista, XP, 2000	
Web-Viewer functions	Auto map, Virtual Joystick, Power PTZ	