

JVC

1/3" CCD COLOR VIDEO CAMERA

TK-C8301RU TK-C2301WPRU



SuperLoLux™

COLOR IN VIRTUAL ZERO LUX



600 TV Lines
IR LED
Compact Design



High-Resolution of 600 TV Lines

Newly developed 14-bit DSP enables industry-leading high quality pictures

Super LoLux™ Sensitivity

0.025 lx at color mode (25% video level, F1.2, AGC HIGH)
0.003 lx at B&W mode (25% video level, F1.2, AGC HIGH)
0 lx (with IR LED)

Industry-leading S/N Ratio of 52dB

ExDR Plus – Advanced Wide Dynamic Range

JVC-original technology to reproduce clearer images for both bright and dark areas

Clear 5 Meter (16 ft) IR LED, 65 ft Max. IR Distance

Ideal for installation near entrances with diffusion type IR LED enabling exposure without halation

3D Noise Reduction

Powerful system to reduce noise in dark environments

Area White Balance

New function that can apply Auto White Balance to a specific area

Auto Black Adjustment

Intelligent adjustment for dark areas to provide images without black out

Fine Focus Adjustment Technology

Newly developed mechanism for finer and more accurate focus adjustment

Outdoor-Ready Vandal and Tamper Proof Design (IP66 Compliant)*

* TK-C2301WPRU

An Array of Features to Suit Any Environment

- Automatic Gain Control (AGC)
- Automatic Electronic Shutter (AES)
- 4 Area Patterns for Backlight Compensation (BLC)
- Up to 128x Slow Shutter
- Intelligent Black Level Adjustment avoiding black out of dark areas
- Manual and Auto Tracking White Balance
- 1.2x/2.0x Digital Zoom
- Motion Detect capability
- Privacy Mask for protecting intrusive monitoring
- Display Mode Selection for CRT and LCD
- CCD White Spot Compensation
- Focus Adjustment Mode for accurate focusing
- Triple Axis Rotation for flexible lens angle adjustment
- Optional heater unit for use at low temperatures of down to -30°C (-22°F)
- 24VAC/12VDC Dual Voltage

Reliable Day & Night Surveillance with High-Resolution Images and Precise Color Reproduction

Super LoLux™ "COLOR IN VIRTUAL ZERO LUX"

This camera has been designed to assure precise color reproduction in low light situations. It is possible to identify image colors in darker places.



Normal camera



JVC Super LoLux™

Clear 5 Meter (16 ft) IR LED, 65 ft Max. IR Distance

Equipped with an IR LED light tuned for optimal results in observing scenes at a distance of about 16 feet, such as entranceways. This dispersion type light illuminates a wide area and exposes subjects that are at close range including people, without white-out reflection.



Normal strong IR LED



JVC Clear 5 Meter IR LED

ExDR Plus

ExDR (Extended Dynamic Range) Plus function is able to clearly display people and characters in the foreground even when they're up against an extremely brightly lit background. And to make the dark parts of the image more clearly visible, it combines Dual Shutter with AGC function to achieve optimal image quality throughout the entire picture.



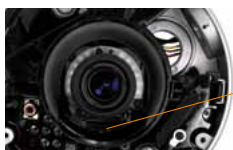
Normal image



ExDR Plus

Fine Focus Adjustment Technology

For assisting focusing to the finest point, the Variable-Focal lens now incorporates a newly developed focus gear mechanism (Patent Pending).



New "Fine Adjust" mechanism

With a very subtle movement, finer, more accurate adjustment is possible. Normal Focus ring lock screw possible.

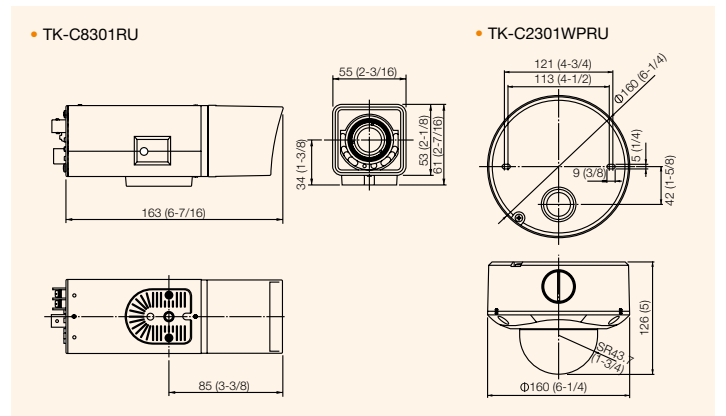
Patent Pending

Specifications

	TK-C8301RU	TK-C2301WPRU
Camera		
Signal system	NTSC	
Image device	1/3 type IT CCD	
No. of effective pixels	380,000 (768H x 494V)	
Sync system	Internal	
Scanning system	2:1 interlace, 525 lines	
Scanning frequency	15.734kHz (H), 59.94Hz (V)	
Video output	Composite video signal: 1.0V (p-p), 75 ohms (BNC)	
Video S/N ratio	52 dB (AGC off)	
Horizontal resolution	600 TV lines	
Minimum illumination (typical)	0.05 lx (50%, F1.2, AGC HIGH) 0.025 lx (25%, F1.2, AGC HIGH)	
B&W mode	0.006 lx (50%, F1.2, AGC HIGH) 0.003 lx (25%, F1.2, AGC HIGH) 0 lx (with IR LED ON)	
Iris control	DC iris	
White balance	ATW (wide/narrow) / AWC / Manual	
ATW colour temp. range	2300K to 10,000K	
Day/Night	True D/N with IR cut-off filter	
Wide dynamic range function	ExDR (by dual shutter)	
3DNR	NORMAL / HIGH	
Display mode (Monitor type)	CRT / LCD1 / LCD2	
BLC	ON / OFF (4 patterns)	
AGC	HIGH / MID / OFF	
Sensitivity-up	off / x2 to x128	
Digital zoom	x1 / x1.4 / x2	
Motion detection	ON / OFF	
Privacy mask	4 areas	
Focus adjustment mode	Yes	
Lens		
Focal length	2.8mm to 10.5mm, 3.75x vari-focal	
Angle of vision	100 (H) x 73 (V) to 24 (H) x 21 (V)	
Aperture ratio	F1.2 (f=2.8mm) to F3.6 (f=10.5mm)	
Angle adjustment range	—	
IR LED	12 LEDs, 20m	
General		
Power supply	24VAC (50Hz/60Hz) / 12VDC	
Power consumption	3.8W	
Operating temperature range	-10°C to 50°C (14°F to 122°F)	
Dust and water proof	IP66	
Vandal protection	Vandal Proof	
Dimensions	55mm (W) x 61mm (H) x 163mm (D) (2-3/16" x 2-7/16" x 6-7/16")	
Weight (approx.)	350 g (0.8 lbs)	
		3.8W without optional heater, 21.8W including heater
		-10°C to 50°C (14°F to 122°F)
		-30°C to 50°C (-22°F to 122°F) with optional heater
		Horizontal: 350°, Vertical: ±80°, Rotation: ±100°
		ø160 mm x 126 mm (H)
		(ø6-1/4" x 5")
		1.3 kg (2.9 lbs)

Dimensions

Unit: mm (inch)



Note: Screen images are for explanatory purposes, and are not actual images attained using this product. All brand or product names may be trademarks and/or registered trademarks of their respective owners. Copyright© 2012, JVCKENWOOD Corporation

