

SNC-DH210T

Network HD Camera — X series

SONY
make.believe

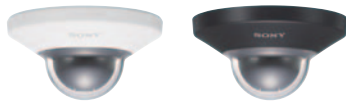
Vandal-Resistant Full HD Security Camera

- Excellent 1080p HD picture quality, supporting H.264 at 15 fps
- 3 Megapixel (2048 x 1536) maximum resolution
- Three codecs (H.264, MPEG-4, JPEG) and dual streaming capability
- The Exmor™ CMOS sensor incorporated to deliver high image quality and low noise



KEY FEATURES

- Compact and stylish design for discreet surveillance.



- IK10 rated vandal-resistant feature to protect the camera from destructive behaviors.
- Electrical Day/Night function to switch to Day or Night mode depending on the light level.
- Stream Squared function allows simultaneous streaming of two 4:3 aspect ratio videos in user selectable SD resolutions. User can select the entire image or a portion of the image from the original field of view and resize to SD resolution or lower for each stream. With this feature the SNC-DH210T can replace two SD cameras installed in the same line of view.

Example



1st Streaming
VGA video of a whole



2nd Streaming
VGA video of a cropped area



- Intelligent Motion Detection that supports DEPA™ analytics.



- Analog monitor output (AV mini jack).
- Powered by PoE (Power over Ethernet) for simple installation.
- Recording software (RealShot™ Manager Life) is bundled to start recording and monitoring instantly.
- ONVIF™ (Open Network Video Interface Forum) software that ensures greater interoperability and more flexibility in building multiple-vendor systems.

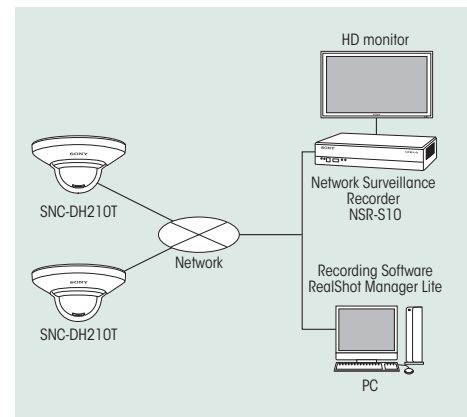


SPECIFICATIONS

SNC-DH210T	
Camera	
Image device	1/2.8 type progressive scan Exmor CMOS sensor
Minimum illumination	2.3 lx (AGC [38 dB] / 50IRE [IP])
Number of effective pixels (H x V)	3 Megapixel (2096x1561)
Electronic shutter speed	1 s to 1/10000 s
Gain control	Auto
Exposure control	Auto, EV Compensation, Auto Slow Shutter
White balance mode	Auto (ATW, ATW-PRO), Preset, One-push WB, Manual
Lens type	Fixed
Horizontal viewing angle	88 degrees
Focal length	f=3.3
F-number	F2.8
Minimum object distance	500mm
Pan angle	Approx. 340°
Tilt angle	0 degrees to 60 degrees
Camera Features	
Day/Night	Yes (Electrical D/N)
Noise reduction	Yes
Image	
Codec image size (H x V)	2048x1536(JPEG only), 1920x1080, 1600x1200, 1680x1056, 1440x912, 1280x1024, 1280x960, 1376x768, 1280x800, 1280x720, 1024x768, 1024x576, 768x576, 720x576, 704x576, 800x480, 720x480, 640x480, 640x368, 384x288, 352x288, 320x240, 320x192, 176x144
Video compression format	H.264, MPEG-4, JPEG
Codec streaming capability	Dual streaming
Maximum frame rate	JPEG:12fps(2048x1536)/15fps(1920x1080)/30fps(1280x720) MPEG-4:15fps(1920x1080)/30fps(1280x720) H.264:15fps(1920x1080)/30fps(1280x720)
Scene Analytics	
Intelligent motion detection	Yes
Network	
Protocols	IPv4, IPv6, TCP, UDP, ARP, ICMP, IGMP, HTTP, HTTPS, FTP (client), SMTP, DHCP, DNS, NTP, RTP/RTCP, RTSP, SNMP (MIB-2)
ONVIF software	Yes
Number of clients	5
Authentication	IEEE802.1X
Analog Video Output	
Signal system	NTSC / PAL
Interface	
Ethernet	10BASE-T / 100BASE-TX (RJ-45)
Analog monitor output	AV mini jack
Sensor input	x 1
General	
Weight	6 oz (170g)
Dimensions	ø 4 1/4 x 2 1/4 inches (ø 106 x 56.5 mm)
Power requirements	PoE
Power consumption	2.4W
Working temperature	32°F to 122°F (0°C to 50°C)
Storage temperature	-4°F to +140°F (-20°C to +60°C)
Vandal resistant	IK10
Safety regulation	UL2044, FCC 15B Class A, IC Class A, IEC60950-1, EN55022(A)+EN55024+EN50130-4, VCCI Class A, C-Tick Class A
System Requirements	
Operating system	Windows XP™, Windows Vista™ (32bit), Windows 7 (32bit)
Processor	Intel Core2 Duo 2 GHz or higher
Memory	1 GB or more
Web browser	Microsoft Internet Explorer® Ver. 6.0, 7.0, or 8.0 Firefox® Ver.3.5 (Plug-in free viewer only) Safari® Ver.4.0 (Plug-in free viewer only) Google® Chrome Ver.4.0 (Plug-in free viewer only)
Supplied Accessories	
	CD-ROM (User's Guide, SNC Toolbox, RSM-Lite), Installation manual, B&P warranty booklet, Sensor input cable, Template

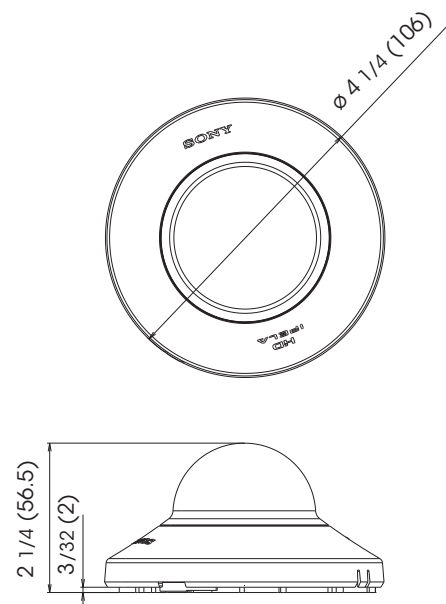
*The SNC-DH210T includes software developed by the OpenSSL Project for use in the OpenSSL Toolkit (<http://www.openssl.org/>).

SYSTEM CONFIGURATION



DIMENSIONS

Unit: inches (mm)



© 2011 Sony Electronics Inc. All rights reserved.
 Reproduction in whole or in part without written permission is prohibited.
 Features and specifications are subject to change without notice.
 Weights and measurements are approximate.
 Sony, 'make.believe', IPELA, Exmor, DEPA, RealShot, ONVIF and their respective logos are trademarks of Sony.
 Windows, XP and Vista are trademarks of Microsoft Corporation.
 All other trademarks are the property of their respective owners.