

# SSC-N22A

Analog Color Mini Dome Camera

**SONY**  
make.believe

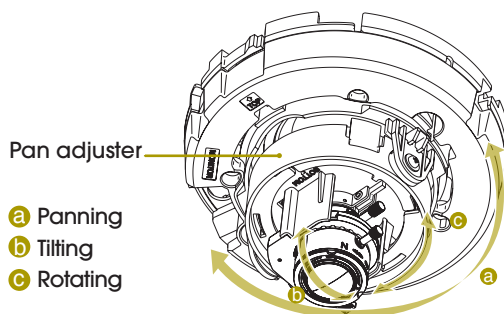
## 540 TV Line Security Camera with High Sensitivity

- Horizontal resolution of up to 540 TV lines
- High sensitivity  
Color: 0.15 lx (F1.2, 50 IRE)  
B/W: 0.01 lx (F1.2, 50 IRE)
- x3.7 Variable focal lens
- Compact design



### KEY FEATURES

- High resolution (540 horizontal TV lines) and high sensitivity (Color: 0.15 lx / B/W: 0.01 lx, F1.2, 50IRE) achieved by a 1/3-type Super HAD CCD II™ sensor and Sony's new digital signal processor, Effio-E™.  
*Super HAD CCD II™*
- 3.7x variable focal length lens with a focal length of 2.8 mm to 10.5 mm and a horizontal angle of view of 101.8° to 27.4°.
- Easy and flexible camera angle adjustment achieved by a new three-hinge structure.



- Optical Day / Night function to switch to Day or Night mode depending on the light level.
- Low power consumption: 1.7 W (Max.).

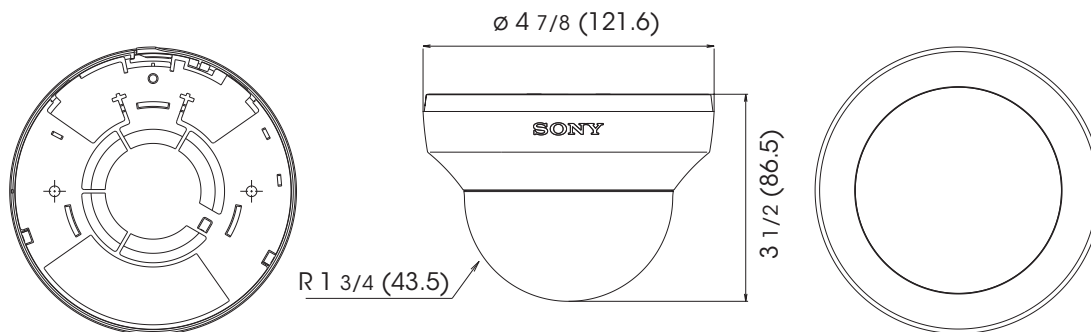
- ATR-Lite (Adaptive Tone Reproduction Lite) to compensate for gradation of subjects to an optimum level.
- iBLC to compensate for exposure levels in dark scenes to help improve subject visibility.
- ATW (Automatic Tracing White) balance which automatically adjusts the camera's white balance to adapt to sudden changes in lighting conditions.
- Internal lock, and line lock selectable.
- 2D noise reduction employed.
- AC 24 V/DC 12 V operation ( $\pm 10\%$ ).
- Custom template supplied.

## SPECIFICATIONS

|                                    | SSC-N22A  |
|------------------------------------|---|
| <b>Camera</b>                      |   |
| Image device                       | 1/3-Type "Super HAD CCD II"   |
| Number of effective pixels (H x V) | 380,000 pixels (768 x 494)  |
| Signal system                      | NTSC standard   |
| Horizontal resolution              | 540 TV lines  |
| S/N ratio                          | More than 55 dB(AGC Off)  |
| Minimum illumination               | Color: 0.15 lx, B/W: 0.01 lx (F1.2, 50 IRE)<br>Color: 0.08 lx, B/W: 0.003 lx (F1.2, 30 IRE) |
| Video output                       | VBS:1.0Vp-p   |
| Synchronization                    | Internal/AC line lock selectable  |
| Gain control                       | Auto (on/off)   |
| White balance                      | ATW (2000K to10000K), ATW-PRO (2500K to 6000K)  |
| Lens type                          | Built-in variable focal lens  |
| Zoom ratio                         | Optical 3.7X  |
| Horizontal viewing angle           | 101.8 degree to 27.4 degree   |
| Focal length                       | f=2.8 to 10.5 mm  |
| F Number                           | F1.2(Wide end), F2.6(Tele end)  |
| Minimum object distance            | 300 mm  |
| Iris                               | Auto  |
| Panning range                      | 355 degree  |
| Tilting range                      | ±77 degree  |
| Swivel rotation                    | 350 degree  |
| <b>Camera Features</b>             |   |
| Day/Night                          | Yes   |
| Noise reduction                    | Yes (2D NR)   |
| Back light compensation            | Yes (iBLC)  |
| Automatic tone reproduction        | Yes (ATR-Lite)  |
| <b>General</b>                     |   |
| Weight                             | 11.3 oz (320 g)   |
| Dimensions                         | ø 4 7/8 x 3 1/2 inches (ø 121.6 mm x 86.5 mm)   |
| Power requirement                  | AC24 V ±10%, DC12 V ±10%  |
| Power consumption                  | Max. 1.7 W  |
| Operating temperature              | 14F° to 122F° (-10°C to +50°C)  |
| Storage temperature                | -40F° to +140F° (-40 °C to +60 °C)  |
| Operating humidity                 | 20 % to 80 %  |
| Storage humidity                   | 20 % to 95 %  |
| Supplied accessories               | Template x 1, Operating instructions x 1  |

## DIMENSIONS

Unit: inches (mm)



© 2011 Sony Electronics Inc. All rights reserved.  
 Reproduction in whole or in part without written permission is prohibited.  
 Features and specifications are subject to change without notice.  
 Weights and measurements are approximate.  
 Sony, the Sony logo, the Sony make.believe logo, Super HAD CCD II and  
 Effio-E are trademarks of Sony.  
 All other trademarks are the property of their respective owners.