

# SSC-N24A

Analog Color Mini Dome Camera

**SONY**  
make.believe

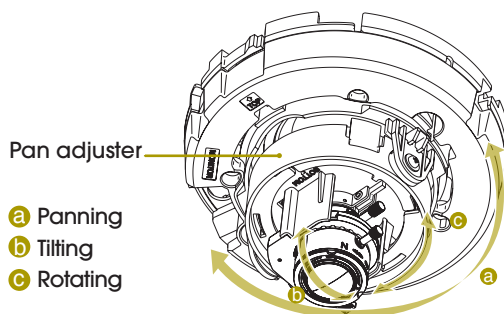
## 650 TV Line Security Camera with High Sensitivity

- Horizontal resolution of up to 650 TV lines
- High sensitivity  
Color: 0.15 lx (F1.2, 50 IRE)  
B/W: 0.01 lx (F1.2, 50 IRE)
- x3.7 Variable focal lens
- Compact design



### KEY FEATURES

- High resolution (650 horizontal TV lines) and high sensitivity (Color: 0.15 lx / B/W: 0.01 lx, F1.2, 50IRE) achieved by a 1/3-type EXview HAD CCD II™ sensor and Sony's new digital signal processor, Effio-E™.  
**EXview HAD CCD II™**
- 3.7x variable focal length lens with a focal length of 2.8 mm to 10.5 mm and a horizontal angle of view of 101.8° to 27.4°.
- Easy and flexible camera angle adjustment achieved by a new three-hinge structure.



- Optical Day / Night function to switch to Day or Night mode depending on the light level.
- Low power consumption: 1.7 W (Max.).

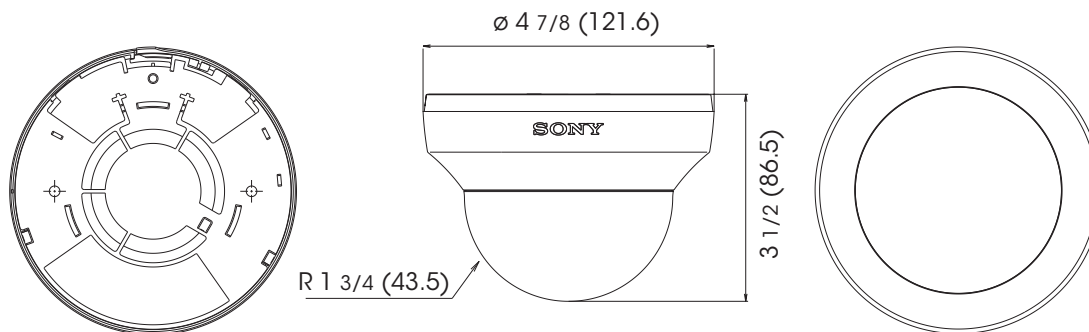
- ATR-Lite (Adaptive Tone Reproduction Lite) to compensate for gradation of subjects to an optimum level.
- iBLC to compensate for exposure levels in dark scenes to help improve subject visibility.
- ATW (Automatic Tracing White) balance which automatically adjusts the camera's white balance to adapt to sudden changes in lighting conditions.
- Internal lock, and line lock selectable.
- 2D noise reduction employed.
- AC 24 V/DC 12 V operation ( $\pm 10\%$ ).
- Custom template supplied.

## SPECIFICATIONS

	SSC-N24A
<b>Camera</b>	
Image device	1/3-type EXview HAD CCD II
Number of effective pixels (H x V)	480,000 pixels (976 x 494)
Signal system	NTSC standard
Horizontal resolution	650 TV lines
S/N ratio	More than 55 dB(AGC Off)
Minimum illumination	Color: 0.15 lx, B/W: 0.01 lx (F1.2, 50 IRE) Color: 0.08 lx, B/W: 0.003 lx (F1.2, 30 IRE)
Video output	VBS:1.0Vp-p
Synchronization	Internal/AC line lock selectable
Gain control	Auto (on/off)
White balance	ATW (2000K to10000K), ATW-PRO (2500K to 6000K)
Lens type	Built-in variable focal lens
Zoom ratio	Optical 3.7X
Horizontal viewing angle	101.8 degree to 27.4 degree
Focal length	f=2.8 to 10.5 mm
F Number	F1.2(Wide end), F2.6(Tele end)
Minimum object distance	300 mm
Iris	Auto
Panning range	355 degree
Tilting range	±77 degree
Swivel rotation	350 degree
<b>Camera Features</b>	
Day/Night	Yes
Noise reduction	Yes (2D NR)
Back light compensation	Yes (iBLC)
Automatic tone reproduction	Yes (ATR-Lite)
<b>General</b>	
Weight	11.3 oz (320 g)
Dimensions	ø 4 7/8 x 3 1/2 inches (ø 121.6 mm x 86.5 mm)
Power requirement	AC24 V ±10%, DC12 V ±10%
Power consumption	Max. 1.7 W
Operating temperature	14F° to 122F° (-10°C to +50°C)
Storage temperature	-40F° to +140F° (-40 °C to +60°C)
Operating humidity	20 % to 80 %
Storage humidity	20 % to 95 %
Supplied accessories	Template x 1, Operating instructions x 1

## DIMENSIONS

Unit: inches (mm)



© 2011 Sony Electronics Inc. All rights reserved.  
 Reproduction in whole or in part without written permission is prohibited.  
 Features and specifications are subject to change without notice.  
 Weights and measurements are approximate.  
 Sony, the Sony logo, the Sony make.believe logo, Effio-E and EXview HAD CCD II are trademarks of Sony.  
 All other trademarks are the property of their respective owners.