

# JVC®

The Perfect Experience

## PTZ NETWORK DOME CAMERA VN-V685U/V686BU OUTDOOR PTZ NETWORK DOME CAMERA VN-V686WPBU

Dual Stream Network Cameras with 36x/27x Optical Zoom and Accurate Direct Drive Motor Mechanism

VN-V686WPBU



### NETWORKS

**+** 36x/27x  
Zoom

**Direct**  
Drive Motor

Full-Frame  
**DUAL**  
STREAM

IR Cut filter  
Day | Night

**PoE**  
Power over Ethernet

#### ■ Direct Drive Motor for Extra Precision and Silence

- Super Accurate Positioning ( $\pm 0.03^\circ$  precision)
- Super Fast & Super Slow Pan/Tilt (400°/sec to 0.04°/sec variable)
- Super Silent Operation (Ideal for hospitals, libraries, and museums)

#### ■ Day/Night Function with IR Cut Filter

Automatic switching between day and night modes for reliable round-the-clock surveillance

#### ■ Effective Backlight Compensation

Easy Wide-D Function provides clear images even in backlit situations

#### ■ Progressive Output Capability

Can output clear, smooth images without jaggy even for moving objects

#### ■ MPEG-4/Motion JPEG Full-Frame Dual Stream

Simultaneous distribution of MPEG-4 and Motion JPEG VGA images at full frame rate (30fps for each stream)

#### ■ Super LoLux™ Sensitivity

0.04 lx at B&W mode (25 % video level, F1.6, AGC SUPER)  
0.5 lx at color mode (25 % video level, F1.6, AGC SUPER)

#### ■ PoE for Saving Installation and Cable Costs

Built-in PoE (Power over Ethernet) allows the camera to be activated through a LAN cable connection.

#### ■ Quick and Easy Installation

One-touch lock mechanism for quick and easy installation and maintenance

#### ■ Dust- and Waterproof Design (VN-V686WPBU)

P66-standard robust design suitable for outdoor monitoring system

# All the Precision and Quality to Capture the Crucial Moment

JVC's new Network Camera offers a Direct Drive Motor and Full-Frame Dual Stream Capability for an Advanced Monitoring System with Maximum Reliability and Versatility.



36x/27x  
Optical  
Zoom

0.03°  
Super  
Accuracy

MPEG-4  
Motion JPEG  
Dual Stream

Fast/Slow  
Variable Pan  
Tilt Speed

Silent  
Operation

0.04lx\*  
Super  
LoLux™

Easy  
Installation

\* at B&W mode

## VN-V685U/VN-V686BU

### Internal Dome Design

Normally recessed into a false ceiling to provide minimal intrusion in any indoor location. Or, when surface-mounted the sleek design will let it blend into a variety of environments for inconspicuously effective surveillance.

Indoor  
Model

## VN-V686WPBU

### External Dome Design

Made to IP66 standards, the housing provides complete protection from the elements but still provides crisp, clear images of its surroundings. Materials used will provide long-lasting service over years of harsh weather conditions.

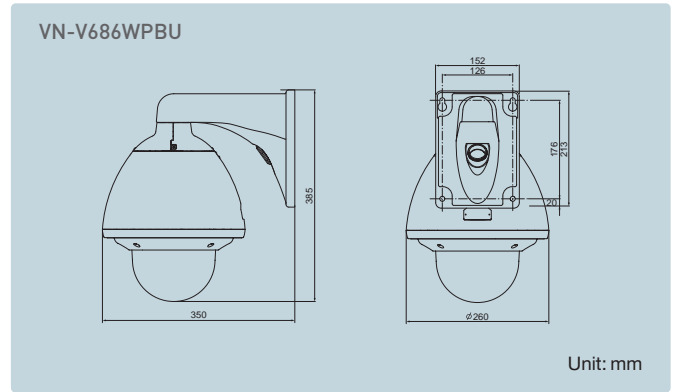
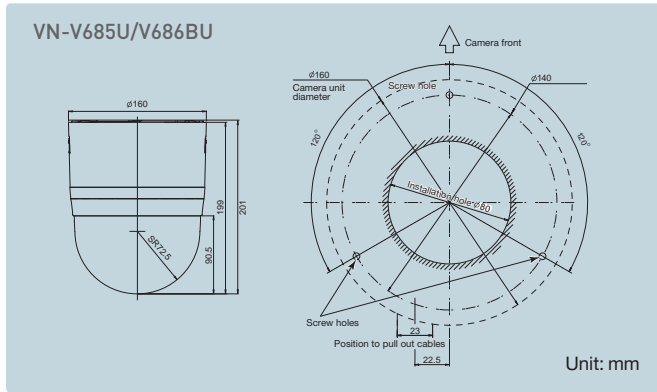
Outdoor  
Model



### Quick Comparison

|                    | VN-V686BU   | VN-V685U    | VN-V686WPBU |
|--------------------|-------------|-------------|-------------|
| Type               | Indoor      | Indoor      | Outdoor     |
| PoE                | •           | •           | •           |
| Zoom Ratio         | 36x Optical | 27x Optical | 36x Optical |
| Direct Drive Motor | •           | •           | •           |
| Dust & Waterproof  |             |             | •           |

## ● Dimensions



## ● Specifications

|   | VN-V685U  | VN-V686BU   | VN-V686WPBU   |
|---|---|---|---|
| Image device                                      | 1/4" IT CCD   |   |   |
| Lens  | Zoom ratio  | 27x optical and 32x digital   | 36x optical and 32x digital   |
|   | Focal length  | f=3.43mm to F=92.6mm  | f=3.43mm to f=122mm   |
|   | Max. aperture ratio   | F1.6 (WIDE) to F3.5 (TELE)  | F1.6 (WIDE) to F4.5 (TELE)  |
|   | Max. close-range  | Approx. 1.8m (TELE), Approx. 0.6m (WIDE)  |   |
|   | Focus   | Manual/Easy AF/One push AF  |   |
| Day/Night   | Automatic Day/Night IR cut filter   |   |   |
| Minimum illumination                              | Color   | 1.0 lx (50%, AGC SUPER)   |   |
|   | B&W   | 0.5 lx (25%, AGC SUPER)<br>0.08 lx (50%, AGC SUPER)<br>0.04 lx (25%, AGC SUPER) |   |
| Pan/Tilt range                                    | Pan: 360° endless / Tilt: -5° to 185°   |   |   |
| Pan/Tilt speed                                    | 0.04° to 400°/sec   |   |   |
| Picture compression                               | Motion JPEG   |   |   |
| Picture resolutions                               | MPEG-4: Part2 (ISO/IEC 14496-2), Profile: SP<br>640x480, 320x240  |   |   |
| Frame rate and streaming                          | Up to 30 fps per each stream of Motion JPEG and MPEG-4 in 640x480 resolution simultaneously (Full frame dual stream)  |   |   |
| Compression levels                                | JPEG: Variable (VFS) 7 levels / Average (AFS) VGA (10KB - 100KB), QVGA (3KB - 33KB)<br>MPEG-4: Constant (CBR) / Variable (VBR), Bit rate adjustable 64kbps - 8000kbps   |   |   |
| Image settings                                    | Configurable AGC, Sens-up, Day/Night, Shutter speed, BLC, ALC, White balance (ATW/AWC), Gamma curve, Black level, Enhance range, Color level, Exposure value, Noise reduction, Monitor type, Privacy mask (8 areas), Image stabilizer                       |   |   |
| PTZ function                                      | 100 preset positions, Auto flip, Auto pan, Auto trace, Auto patrol, Auto return, Motion detect, Auto tracking   |   |   |
| Shutter speed                                     | 2.1sec (Sens-up) to 1/10000 sec   |   |   |
| Security  | 3 levels password, IP address filtering, HTTPS encryption (for setting)   |   |   |
| Max. clients                                      | 20 simultaneous users, Unlimited users by multicast   |   |   |
| Alarm/Event management                            | Trigger: Built-in motion detection, External alarm input x 2 or Schedule<br>Event: Pre/post recording, FTP sending, Notification over TCP/UDP, E-mail, External output x 2, Periodic FTP and Preset position, Pre/Post alarm buffer of 8MB                  |   |   |
| Connectors  | RJ-45 for Ethernet 10Base-T/100Base-TX<br>Terminal block for 2 alarm input, 2 output<br>Alternative power connection  |   |   |
| Dust and water protection                         | -   |   | IP66  |
| Power   | 24 VAC (50Hz/60Hz), 1.2A<br>48 VDC (PoE, IEEE802.3af class0), 12.95W  |   | 24 VAC (50Hz/60Hz), 2.2A (With heater)<br>48 VDC (PoE, IEEE802.3af class0), 12.95W (Without heater) |
| Operating temperature                             | -10°C to 50°C/14°F to 122°F<br>(0°C to 40°C/32°F to 104°F recommended)  |   | -40°C to 50°C/14°F to 122°F, always power on<br>(0°C to 40°C/32°F to 104°F recommended)             |
| Installation and maintenance                      | Web based setting tool, Camera search tool, Firmware update over HTTP   |   |   |
| Recommended operating environment                 | OS: Windows Vista Business (SP1), Windows XP Pro (SP2)/Home (SP2)<br>CPU: Pentium4 2GHz, Memory: 1GB, HDD space: 512MB<br>Display and video card: 1024x768 True color (24bit or 32 bit), VRAM 8MB<br>Browser: IE7.0 for Windows Vista, IE6.0 for Windows XP |   |   |
| System integration support                        | Open API for application integration, ActiveX Viewer, QoS, Embedded Linux operating system  |   |   |
| Supported protocols                               | TCP/IP, UDP/IP, HTTP, FTP, ICMP, ARP, RTP, DHCP, SNMP, SMTP, DSCP, IGMP, IPv6, VSIP   |   |   |
| Video management software/hardware (Not included) | VR-N900U/1600U/1600E: JVC Network video recorder for viewing, recording and archiving up to 9/16 cameras<br>VN-RS800U: JVC free video management software for viewing, recording and archiving up to 32 cameras (JPEG stream only)                          |   |   |
| Dimensions (WxHxD)                                | ø160mm x 201mm (H)  |   | ø260mm (incl. housing) x 385mm (H: incl. bracket) x 350 (D: incl. bracket)                          |
| Weight  | 1.9kg (4.2lbs)  |   | 5.5kg (12.2lbs)   |

## ● Optional Accessories

### For VN-V685U/V686BU

- WB-S682U Wall mount
- WB-S681U Pendant mount pole



- WB-S685U Ceiling recessed bracket



### For VN-V686WPBU

- WB-S684U Outdoor pendant mount pole



Note: For more information on optional brackets, please consult your local JVC dealer.

Copyright © 2008, Victor Company of Japan, Limited. All Rights Reserved.

# JVC®