

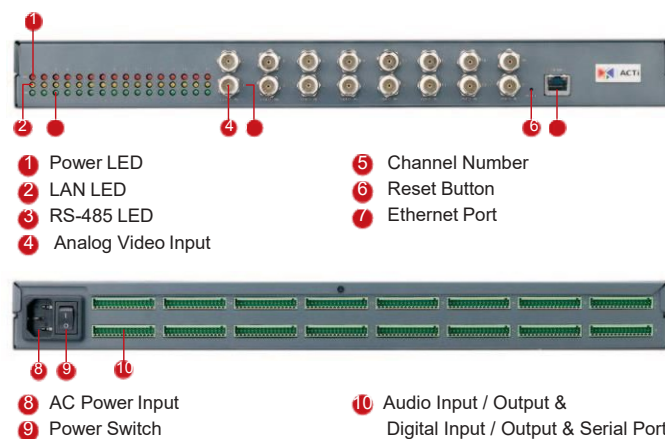
ACD-2400

16-channel MPEG-4 1U
Video Encoder

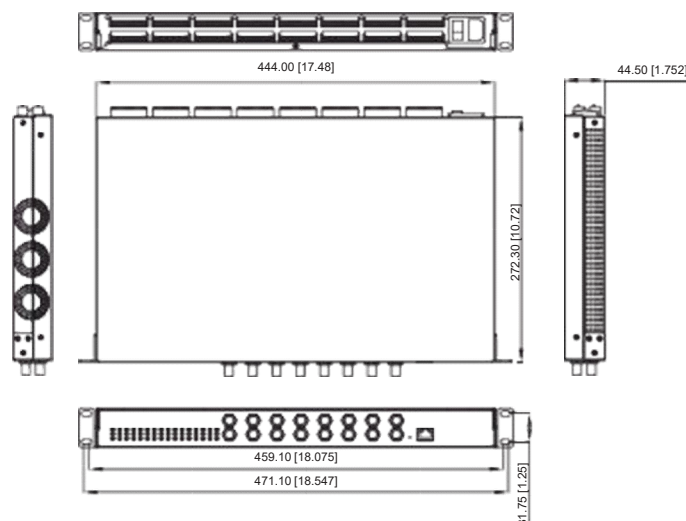


- 25/30 fps at full D1 resolution (per channel)
- Selectable MPEG-4 SP, MJPEG compressions
- Two-way audio (per channel)
- Video motion detection (per channel)
- Digital input and digital output (per channel)
- Serial ports for PTZ control (per channel)
- Rack-mountable (1U)

PHOTO INDICATION



DIMENSION DIAGRAM



Unit: mm [inch]

PRODUCT SPECIFICATION

ACD-2400

• Device

Device Type	Video Encoder
Number of Channels	16

• PTZ

Protocol	Pelco-D, Pelco-P V1 and V2, Dynacolor, Sony VISCA, American Dynamics
----------	--

• Video

Compression	MPEG-4 SP, MJPEG
Maximum Frame Rate vs. Resolution	30 fps at 720 x 480 (Full D1, NTSC); 25 fps at 720 x 576 (Full D1, PAL) 30 fps at 640 x 480 (VGA, NTSC); 25 fps at 640 x 480 (VGA, PAL) 30 fps at 352 x 240 (CIF, NTSC); 25 fps at 352 x 288 (CIF, PAL) 30 fps at 160 x 112 (QCIF, NTSC); 25 fps at 176 x 144 (QCIF, PAL)
Multi-Streaming	Multiple streams based on single configuration (per channel)
Bit Rate	28 Kbps - 3 Mbps (per stream)
Bit Rate Mode	Constant, Variable
Image Enhancement	Brightness; Saturation; Contrast
Privacy Mask	1 configurable region (per channel)
Text Overlay	User defined text on video

• Audio

Compression	8 kHz, Mono, PCM, 16 bit encoding
Audio-In	Terminal block (per channel)
Audio-Out	Terminal block (per channel)

• Network

Protocol & Service	TCP, UDP, HTTP, HTTPS, DHCP, PPPoE, RTP, RTSP, DNS, DDNS, NTP, ICMP, ARP, IGMP, SMTP, FTP, UPnP, SNMP, Bonjour
Ethernet Port	1, Ethernet (10/100 Base-T), RJ-45 connector
Security	IP address filtering; HTTPS encryption; Password protected user levels; IEEE 802.1X network access control

• Alarm

Alarm Trigger	Video motion detection (3 regions per channel); External device through digital input
Alarm Response	Notify control center; Go to PTZ preset point or preset tour; Change camera settings; Command other devices; E-mail notification with snapshots; Upload video, snapshot to FTP server; Activate external device through digital output

• Interface

Analog Video Input	16, CVBS, 1.0Vp-p with 75Ω BNC connector
Digital Input	2, terminal block (per channel)
Digital Output	2, terminal block (per channel)
Serial Port	RS-485, RS-422, RS-232, terminal block (per channel)

• General

Power Source / Consumption	AC 100 - 240V (50/60 Hz) / 87 W
Weight	4.3 kg (9.47 lb)
Dimensions (W x H x D)	444 mm x 44.5 mm x 272 mm (17.48" x 1.75" x 10.72") Rack-mountable (1U)
Operating Temperature	0 °C ~ 50 °C (32 °F ~ 122 °F)
Operating Humidity	10% ~ 85% RH
Approvals	CE, FCC

• Integration

Unified Solution	Fully compatible with ACTi software
ISV Integration	Software Development Kit (SDK) available
Firmware Access Browser	Microsoft Internet Explorer 6.0 or newer