

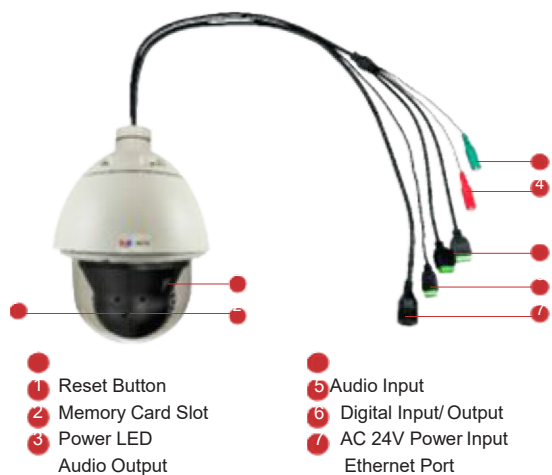
B917

2MP Video Analytics Outdoor Speed Dome with D/N, Extreme WDR, SLLS, 30x Zoom Lens

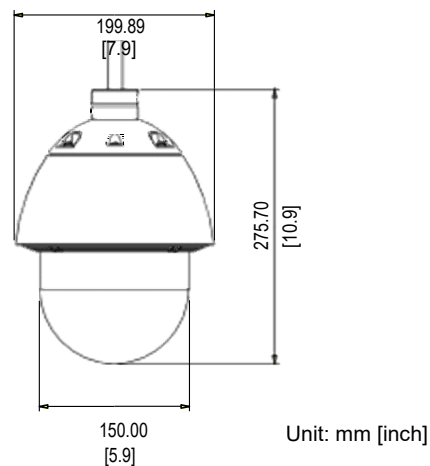


- 2 Megapixel with 1080p
- Day & Night with Superior Low Light Sensitivity
- 30x Zoom Lens with f4.5-135mm / F1.6-F4.4, DC Iris, Auto Focus
- Extreme WDR (145 dB)
- 60 fps at 1920 x 1080
- Endless Pan & Tilt
- Weatherproof (IP67) and Vandal Proof Metal Casing (IK10) with Built-in Dehumidifier
- Built-in Analytics

PHOTO INDICATION



DIMENSION DIAGRAM



ACCESSORY OPTIONS

PDCX-1005		Transparent, Vandal proof (IK10)
PDCX-1108		Smoked, Vandal proof (IK10)
PPOE-0102		High PoE Injector with universal connector

Wall	PMAX-0312 PMAX-0702	
Pendant	PMAX-0102	
Corner	PMAX-0312 PMAX-0702 PMAX-0402	
Pole	PMAX-0312 PMAX-0702 PMAX-0503	
Parapet	PMAX-0808	

* For more mounting solutions, please refer to Project Planner on www.acti.com

PRODUCT SPECIFICATION**B917****• Device**

Product Type	Outdoor Speed Dome
Image Sensor	Progressive Scan CMOS
Sensor Size	1/2.8"
Effective Pixels	1944 (H) x 1224 (V) (2.38 MP)
Horizontal Resolution	1450 TVL
Day / Night	Yes
Low Light Sensitivity	Superior
Minimum Illumination	Color: 0.1 lux at F1.6 (30 IRE, 2400°K); B/W: 0.05 lux at F1.6 (IR LED On)
Color to B/W Switch	ISP based switch, configurable
Mechanical IR Cut Filter	Yes
IR Sensitivity Range	700 - 1100nm
Electronic Shutter	1/5 - 1/32,000 sec (manual mode); 1/5 - 1/32,000 sec (auto mode)
S/N Ratio	56 dB

• Lens

Focal Length	Zoom, f4.5 - 135mm / F1.6 - 4.4
Zoom Ratio / Speed	30x optical, 10x digital / 2.4 sec (tele to wide)
Zoom Application	Camera installation; Auto zoom by event; Manual operation
Iris	DC iris
Focus	Auto focus
Horizontal Viewing Angle	59.8° - 2.34°

• PTZ

Manual Panning / Tilting Speed	3.2°~72°/s / 1.6°~36°/s
Preset Panning / Tilting Speed	0.1°~ 720°/s / 0.1°~ 360°/s
Panning Range	360° Endless
Tilting Range	-20° ~ 200°
Control	Remote manual control; 256 preset points; 10 preset tours; Auto scan
Preset Panning Accuracy	0.265°
Preset Tilting Accuracy	0.149°
Absolute Position	Yes
Protocol	ACTi URL command, Sony VISCA, Pelco D, Pelco P

• Video

Compression	H.264 (Baseline / Main / High profile), MJPEG
Max. Frame Rate vs. Resolution	60 fps at 1920 x 1080; 60 fps at 1280 x 720; 30 fps at 640 x 480; 30 fps at 320 x 240
Multi-Streaming	Unicast/Multicast(RTSP,UDP); Simultaneous triple streams based on video configurations
Bit Rate	128 Kbps - 12 Mbps (per stream)
Bit Rate Mode	Constant, Variable
Image Enhancement	Extreme WDR (145 dB); White balance: automatic, hold and manual; Brightness; Contrast; Sharpness; Automatic gain control; 2D+3D digital noise reduction; Flickerless; Defogging
Privacy Mask	20 configurable 3D regions
Text Overlay	User defined text on video
Image Orientation	Image flip and mirror
Built-in Analytics	Motion Detection, Tamper, Shock Detection, PTZ Auto Tracking, Digital Image Stabilizer, Line Crossing, Enter Area, Exit Area, Appear in Area, Missing Object, Unattended Object

• Audio

Audio	2-way (Line-in, Line-out)
Compression	8 kHz, Mono, PCM, 16 bit encoding; G.711
Audio-In / Audio-Out	Cable with 3.5mm phone jack

• Network

Protocol & Service	TCP,UDP,HTTP,HTTPS, DHCP,PPPoE, RTP,RTSP,IPv4, IPv6, DNS, DDNS, NTP, ICMP, ARP, IGMP, SMTP, FTP, UPnP, SNMP, Bonjour
Ethernet Port	1, Ethernet (10/100Base-T), RJ-45 connector
Security	IP address filtering; HTTPS encryption; Password protected user level; Anonymous login; IEEE 802.1X network access control

• Alarm

Alarm Trigger	Video motion detection (10 regions); External device through digital input; Sound detection
Alarm Response	Notify control center; Go to PTZ preset point or preset tour; Change camera settings; Command other devices; E-Save video or snapshot to local storage; Upload video or snapshot to FTP server; Activate external device through digital output

• Interface

Digital Input	4, Terminal block
Digital Output	2, Terminal block
Local Storage	MicroSDHC memory card slot (card not included)

• General

Power Source	High PoE (IEEE802.3at) 29.4W / AC 24V 68W (With heater controlled by thermostat)
Weight	2500 g (5.51 lb)
Dimensions (Φ x H)	200 mm x 276 mm (7.87" x 10.87")
Environmental Casing	Weatherproof (IP67); Vandal proof metal casing (IK10); Scratch-resistant and water-repellent lens glass
Mount Type	Gang Box, Pendant, Wall, Corner, Pole
Starting Temperature	-52°C ~ 60°C (-61.6°F ~ 140°F) within 30mins at AC24V -40°C ~ 60°C (-40°F ~ 140°F) within 30mins at High PoE
Operating Temperature	-52°C ~ 60°C (-61.6°F ~ 140°F) within 30mins at AC24V -40°C ~ 60°C (-40°F ~ 140°F) within 30mins at High PoE
Operating Humidity	10% ~ 85% RH, Built-in dehumidifier
Approvals	CE (EN 55022 Class B, EN 55024), FCC (Part15 Subpart B Class B), IP6IK10 (metal casing), NEMA 4X, UL (for bundled power adapter)

• Integration

Unified Solution	Fully compatible with ACTi software
ISV Integration	Software Development Kit (SDK) available; ONVIF Compliant
Firmware Access Browser	Microsoft Internet Explorer 8.0 or newer (full functionality); Safari with QuickTime installed, and other browsers with VLC installed (partial functionality)
Auto Firmware Upgrade	Yes
GPS Position	Manual Setting

* All specifications are subject to change without notice.

* All brand names and registered trademarks are the property of their respective owners.

www.acti.com

