

I910

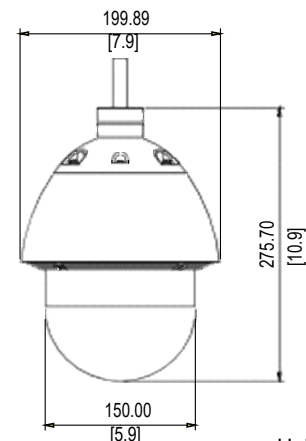
4MP Outdoor Speed Dome with D/N, Advanced WDR, SLLS, 33x Zoom Lens



- 4 Megapixel with 1080p
- Day & Night with Superior Low Light Sensitivity
- 33x Zoom Lens with f4.5 - 148.5mm / F1.6 - 5.0, DC Iris, Auto Focus
- Advanced WDR (75 dB)
- 30 fps at 1920 x 1080
- Endless Pan & Tilt
- Weatherproof Options (IP67 or IP66) and Vandal Proof Options (IK10 or IK09)

PHOTO INDICATION

DIMENSION DIAGRAM



ACCESSORY OPTIONS

Dome Cover		
PDCX-1005		Transparent, Vandal proof (IK10)
PDCX-1108		Smoked, Vandal proof (IK10)
High PoE Injector		
PPOE-0102		High PoE Injector with universal connector

Popular Mounting Solutions		
Wall	PMAX-0312 PMAX-0702	
Pendant	PMAX-0102	
Corner	PMAX-0312 PMAX-0702 PMAX-0402	
Pole	PMAX-0312 PMAX-0702 PMAX-0503	
NPT Standard Mounts	PMAX-0808	

* For more mounting solutions, please refer to Project Planner on www.acti.com

PRODUCT SPECIFICATION

I910

• Device

Product Type	Outdoor Speed Dome
Image Sensor	Progressive Scan CMOS
Sensor Size	1/3"
Effective Pixels	2688 (H) x 1520 (V) (4.09 MP)
Day / Night	Yes
Low Light Sensitivity	Superior
Minimum Illumination	Color: 0.1 lux at F1.6 (30 IRE, 2400°K); B/W: 0.05 lux at F1.6 (30 IRE, 2400°K)
Color to B/W Switch	ISP based switch, configurable
Mechanical IR Cut Filter	Yes
IR Sensitivity Range	700- 1100nm
IR LED	No
Electronic Shutter	Manual mode: 1/13 - 1/2,000 sec (50Hz); 1/15 - 1/2,000 sec (60Hz) Auto mode: 1/13 - 1/10,000 sec (50Hz); 1/15 - 1/10,000 sec (60Hz)
TV Lines	1850
S/N Ratio	56 dB

• Lens

Focal Length	Zoom, f4.5 - 148.5mm / F1.6 - 5.0
Zoom Ratio	33x optical; 16x digital
Zoom Speed	3.1 sec (1x~33x)
Iris	DC iris
Focus	Auto focus
Horizontal Viewing Angle	58.8° ~ 2.35°

• PTZ

Manual Panning / Tilting Speed	3.2° ~ 8°/s
Preset Panning / Tilting Speed	1.6°~480°/s
Panning Range	360° Endless
Tilting Range	-20° ~ 200°
Control	Remote manual control; 256 preset points; 10 preset tours; Auto scan
Preset Panning / Tilting Accuracy	0.265°
Absolute Position	Yes
Protocol	ACTi URL command, Sony VISCA, Pelco D, Pelco P

• Video

Compression	H.264 (Baseline / Main / High profile), MJPEG
Max. Frame Rate vs. Resolution	15 fps at 2688 x 1520; 15 fps at 2560 x 1440; 30 fps at 1920 x 1080; 30 fps at 1280 x 720; 30 fps at 800 x 600; 30 fps at 640x480; 15 fps at 320 x 240
Multi-Streaming	Simultaneous dual streams based on two configurations
Bit Rate	28 Kbps - 6 Mbps (per stream)
Bit Rate Mode	Constant, Variable
Image Enhancement	Advanced WDR (75 dB); White balance: automatic, hold and manual; Brightness; Contrast; Sharpness; Automatic gain control; 2D+3D digital noise reduction; Flickerless; Defogging; Digital image stabilizer
Privacy Mask	32 configurable regions
Text Overlay	User defined text on video
Image Orientation	Image flip and mirror

• Audio

Audio	2-way
Compression	8 kHz, Mono, PCM, 16 bit encoding; G.711
Audio-In	Cable without connector
Audio-Out	Cable without connector

• Network

Protocol & Service	TCP,UDP,HTTP,HTTPS,DHCP,PPPoE,RTSP,IPV4,IPV6,DNS,DDNS,NTP,ICMP,ARP,IGMP,SMTP,FTP,UPnP,SNMP,Bonjour,SonyVISCA,PelcoD,PelcoP
Ethernet Port	1, Ethernet (10/100Base-T), RJ-45 connector
Security	IP address filtering; HTTPS encryption; Password protected user level; Anonymous login; IEEE 802.1X network access control

• Alarm

Alarm Trigger	Video motion detection (3 regions); External device through digital input; Sound detection
Alarm Response	Notify control center; Go to PTZ preset point or preset tour; Change camera settings; Command other devices; E-mail notification with snapshots; Save video or snapshot to local storage; Upload video or snapshot to FTP server; Activate external device through digital output

• Interface

Digital Input	4, cable without connector
Digital Output	2, cable without connector
Local Storage	MicroSDHC/MicroSDXC memory card slot (card not included)

• General

Power Source / Consumption	High PoE (IEEE802.3at) / 31.3 W (built-in heater and fan on) AC 24V / 24.4 W (built-in heater and fan on)
Weight	2500 g (5.51 lb)
Dimensions (Φ x H)	200 mm x 276 mm (7.9" x 10.9")
Environmental Casing	Weatherproof (IP66, optional IP67); Vandal proof casing (IK10); Bundled dome cover (IK09); Optional dome cover (IK10)
Mount Type	Pendant, Wall, Corner, Pole, NPT standard mounts
Starting Temperature	-40°C ~ 50°C (-40°F ~ 122°F) within 30mins
Operating Temperature	-40°C ~ 50°C (-40°F ~ 122°F)
Operating Humidity	10% ~ 85% RH
Approvals	CE (EN 55022 Class B, EN 55024), FCC (Part15 Subpart B Class B), IP66 (default), IP67 (optional), IK09 (default dome cover), IK10 (PDCX-1005 or PDCX-1108 required), NEMA 4X, UL (for bundled power adapter)

• Integration

Unified Solution	Fully compatible with ACTi software
ISV Integration	Software Development Kit (SDK) available; ONVIF Compliant
GPS Position	Manual setting
Firmware Access Browser	Microsoft Internet Explorer 8.0 or newer (full functionality); Safari with QuickTime installed, and other browsers with VLC installed (partial functionality)

* All specifications are subject to change without notice.

* All brand names and registered trademarks are the property of their respective owners.

www.acti.com

