

## AXIS M30 Network Camera Series

Fixed mini domes with HDTV and 360°/180° panoramic views.



- > Compact, vandal- and dust-resistant design
- > Wide angle and 360°/180° panoramic views
- > HDTV video quality
- > Easy, flexible installation
- > Edge storage

AXIS M30 Series addresses the market's need for affordably priced, highly discreet and easy-to-install indoor fixed domes with HDTV performance and 360°/180° panoramic views. They are ideal for retail stores, hotels, schools and offices with tight budgets for video surveillance.

Providing superb video quality, AXIS M30 cameras range from the palm-sized AXIS M3004-V and AXIS M3005-V with HDTV performance, to the wide-angle AXIS M3006-V with 3-megapixel resolution, and AXIS M3007-P/-PV, 5-megapixel fixed domes that provide a 360° view when ceiling mounted or 180° view when wall mounted.

All AXIS M30 cameras are vandal- and dust-resistant except for AXIS M3007-P, and can be mounted on walls or ceilings. AXIS M3007-P is instead even more discreet with its smoke-detector look. AXIS M3004-V/M3005-V/M3006-V cameras have a 3-axis camera angle adjustment for flexible installation. The three cameras also support Corridor Format for vertically oriented video streams that maximize coverage of areas such as corridors, hallways or aisles. All AXIS M30 cameras come focused at delivery.

AXIS M30 cameras support AXIS Camera Application Platform for intelligent video applications such as people counting. AXIS M3006-V and AXIS M3007-P/-PV have substantial capacity for video analytics.

The cameras offer a convenient video management solution with their built-in memory card slot for edge storage and support for software such as the complimentary AXIS Camera Companion.

Simplifying installation, AXIS M30 cameras come with a 2 m (6.6 ft.) network cable and are powered using Power over Ethernet (IEEE 802.3af).



# Affordable, compact and easy-to-install fixed domes with superb video quality

## HDTV and multi-megapixel models

AXIS M30 cameras share a discreet form factor and are designed for quick and easy installation. The models—with different viewing angles, resolution, frame rate and intelligent video capacity—have been optimized to provide best-in-class performance for the different application needs of price-sensitive customers.

AXIS M3007-P/-PV cameras have a 5-megapixel sensor that enables detailed, high-quality 360° and 180° panoramic views. AXIS M3006-V not only supports HDTV 1080p but can also provide 3-megapixel video streams with 50% more resolution than HDTV 1080p. With a 134° angle of view, AXIS M3006-V can provide full coverage of an area when installed near a corner. Meanwhile, the palm-sized AXIS M3004-V and AXIS M3005-V provide the smallest form factor. AXIS M3004-V supports full frame rate 1-megapixel/HDTV 720p performance, while AXIS M3005-V delivers HDTV 1080p with more than double the resolution of HDTV 720p.



AXIS M3006-V: corner view

## Digital PTZ and multi-view streaming

The digital pan/tilt/zoom functionality in all AXIS M30 cameras can be seen as enabling the cameras to have a "digital varifocal lens" that allows the cameras' angle of view to be adjusted remotely after the physical installation. This functionality is especially useful with AXIS M3006-V because of its wide angle of view and high resolution.

When digital PTZ is used together with multi-view streaming in AXIS M3006-V, different areas of a scene can be cropped from the full view and streamed simultaneously for viewing or recording. Multi-view streaming simulates several virtual cameras and can help minimize the bit rate and storage needs.

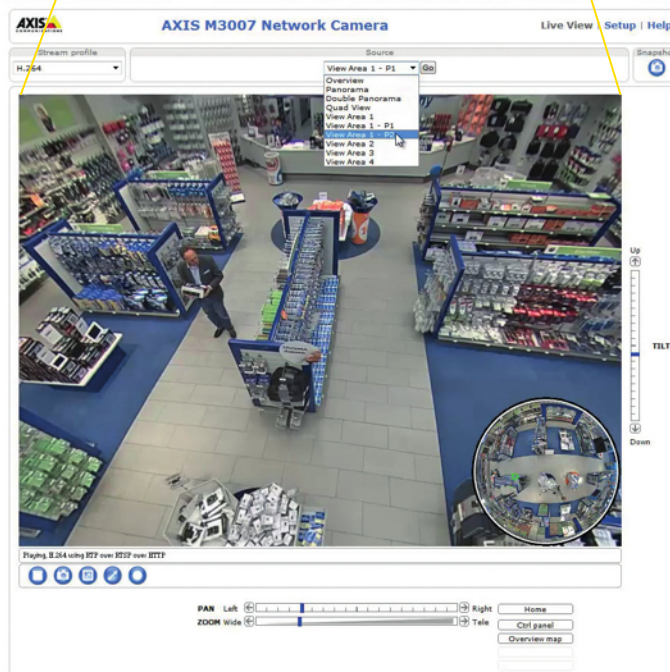
## 360°/180° fixed domes

AXIS M3007-P/-PV are 360°/180° fixed domes that can cover an area of more than 650 m<sup>2</sup> (7,000 sq. ft.). They can be used to help detect activities, track the flow of people and improve area management.

AXIS M3007-P/-PV cameras support several viewing modes: 360° overview and dewarped views such as panorama, double panorama and quad views. The quad view mode is suitable, for instance, when the camera is positioned at an intersection of corridors. The camera also provides view area modes where users can digitally pan, tilt and zoom in on areas of interest.



AXIS M3007-P/-PV: overview of a 240 m<sup>2</sup> (2,600 sq. ft.) area



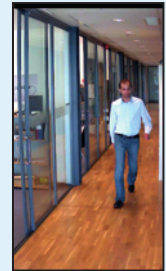
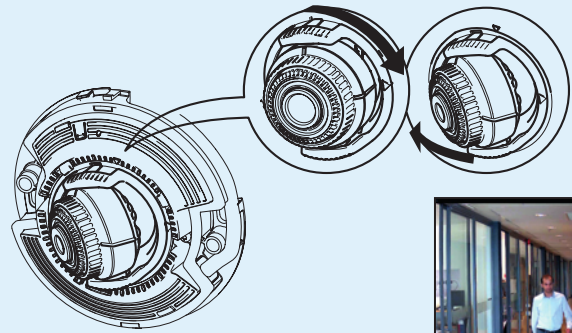
AXIS M3007-P/-PV: view area mode with digital pan/tilt/zoom functionality

## 3-axis camera angle adjustment

AXIS M3004-V/M3005-V/M3006-V cameras have a 3-axis camera angle adjustment that enables users to:

- > mount the cameras on walls or ceilings
- > easily adjust the cameras' direction
- > easily level the image
- > get vertically oriented video streams (Axis' Corridor Format)

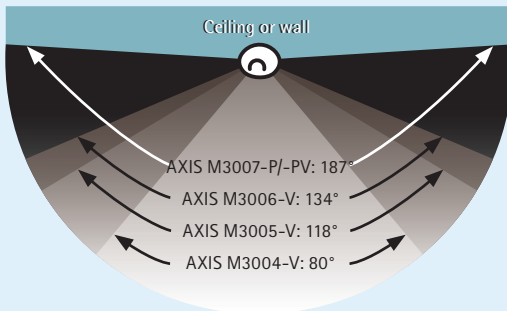
Axis' Corridor Format is achieved when the 3-axis camera angle adjustment is used together with the camera interface's ability to rotate the image. The format optimizes the coverage of areas such as aisles, hallways and corridors, maximizing image quality while eliminating bandwidth and storage waste.



9:16 Corridor Format

## Comparison of viewing angles

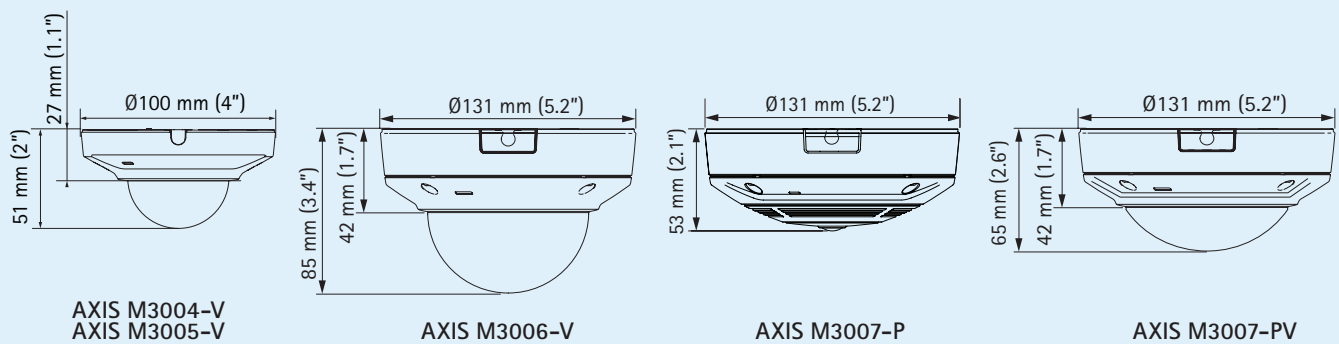
Horizontal angle of view



Approx. field of view comparison



## Dimensions



## Optional accessories

White/black skin for the camera casing (All models except AXIS M3007-P)



Optional lens and focus tool for AXIS M3004-V and AXIS M3005-V



AXIS T91A Camera Holders 3/4" or 1.5" NPS for AXIS M3006-V and AXIS M3007-P/-PV

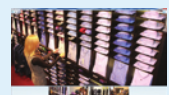


AXIS P8221 Network I/O Audio Module



AXIS Camera Companion (included), AXIS Camera Station and video management software from Axis' Application Development Partners (not included). See

[www.axis.com/products/video/software/](http://www.axis.com/products/video/software/)



## Technical Specifications – AXIS M30 Network Camera Series

Camera		Network	
<b>Models</b>	AXIS M3004-V: 1 MP / HDTV 720p, vandal and dust resistant AXIS M3005-V: 2 MP / HDTV 1080p, vandal and dust resistant AXIS M3006-V: 3 MP / HDTV 1080p, vandal and dust resistant AXIS M3007-P: 5 MP, 360°/180°, discreet smoke-detector look AXIS M3007-PV: 5 MP, 360°/180°, vandal and dust resistant <i>Note: AXIS M3011 and AXIS M3014 are handled separately from the new AXIS M30 Series</i>	<b>Security</b>	Password protection, IP address filtering, HTTPS* encryption, IEEE 802.1X network access control, digest authentication, user access log
<b>Image sensor</b>	AXIS M3004-V: 1/4" progressive scan RGB CMOS AXIS M3005-V: 1/2.7" progressive scan RGB CMOS AXIS M3006-V: 1/3.8" (effective) progressive scan RGB CMOS AXIS M3007-P/-PV: 1/3.2" progressive scan RGB CMOS	<b>Supported protocols</b>	IPv4/v6, HTTP, HTTPS*, SSL/TLS*, QoS Layer 3 DiffServ, FTP, CIFS/SMB, SMTP, Bonjour, UPnP, SNMPv1/v2c/v3(MIB-II), DNS, DynDNS, NTP, RTSP, RTP, TCP, UDP, IGMP, RTCP, ICMP, DHCP, ARP, SOCKS
<b>Lens</b>	M12 mount, F2.8, fixed iris, megapixel resolution AXIS M3004-V: 2.8 mm, 80° horizontal angle of view AXIS M3005-V: 2.8 mm, 118° horizontal angle of view AXIS M3006-V: 1.6 mm, 134° horizontal angle of view AXIS M3007-P/-PV: 1.3 mm, 187° horizontal angle of view	<b>System integration</b>	<b>Application Programming Interface</b> Open API for software integration, including VAPIX® and AXIS Camera Application Platform from Axis Communications, available at <a href="http://www.axis.com">www.axis.com</a> AXIS Video Hosting System (AVHS) with One-Click Camera Connection AXIS M3004-V/M3005-V/M3006-V: ONVIF, specification available at <a href="http://www.onvif.org">www.onvif.org</a>
<b>Light sensitivity</b>	AXIS M3004-V/M3005-V: 1.5 - 100000 lux, F2.8 AXIS M3006-V/M3007-P/M3007-PV: 0.6 - 200000 lux, F2.8	<b>Intelligent video</b>	Video motion detection, active tampering alarm AXIS Camera Application Platform enabling installation of additional applications (In AXIS M3007-P/-PV, additionally installed applications can be used in the 360° overview mode only)
<b>Shutter time</b>	AXIS M3004-V/M3005-V: 1/8000 s to 1/6 s AXIS M3006-V/M3007-P/M3007-PV: 1/24000 s to 2 s	<b>Event triggers</b>	Intelligent video, edge storage events
<b>Camera angle adjustment</b>	AXIS M3004-V/M3005-V: Pan ±175°, tilt ±45°, rotation ±175° AXIS M3006-V: Pan ±180°, tilt 0-45°, rotation ±178° AXIS M3007-P/-PV: Rotation ±180°	<b>Event actions</b>	File upload: FTP, HTTP, network share and email Notification: email, HTTP and TCP Video recording to edge storage Pre- and post-alarm video buffering AXIS M3006-V/M3007-P/M3007-PV: Go to PTZ preset, guard tour
Video		General	
<b>Video compression</b>	H.264 Main Profile (MPEG-4 Part 10/AVC), Motion JPEG AXIS M3006-V/M3007-P/M3007-PV: Also H.264 Baseline Profile	<b>Data streaming</b>	Event data
<b>Resolutions</b>	AXIS M3004-V: 1280x800 (1 MP) to 320x240 AXIS M3005-V: 1920x1080 (HDTV 1080p) to 320x240 AXIS M3006-V: 2048x1536 (3 MP) to 160x120 AXIS M3007-P/-PV: 2592x1944 (5 MP) to 160x120	<b>Built-in installation aid</b>	Pixel counter
<b>Frame rate H.264/Motion JPEG</b>	AXIS M3004-V/M3005-V: 25/30 fps with power line frequency 50/60 Hz AXIS M3006-V: 3 MP capture mode: 16/20 fps with power line frequency 50/60 Hz HDTV 1080p (1920x1080) and 2 MP 4:3 (1600x1200) capture modes: 25/30 fps with power line frequency 50/60 Hz AXIS M3007-P/-PV: 12 fps in 360° overview and panoramic views	<b>Casing</b>	Casing color: white NCS S 1002-B; encapsulated electronics AXIS M3004-V/M3005-V: IP42 water- and dust-resistant, IK08 impact-resistant, polycarbonate/ABS casing AXIS M3006-V/M3007-PV: IP42 water- and dust-resistant, IK08 impact-resistant, aluminum and polycarbonate/ABS casing AXIS M3007-P: Discreet, smoke-detector like design, aluminum and polycarbonate/ABS casing without
<b>Video streaming</b>	Multiple, individually configurable streams in H.264 and Motion JPEG Controllable frame rate and bandwidth VBR/CBR H.264	<b>Memory</b>	AXIS M3004-V/M3005-V: 256 MB RAM, 128 MB Flash AXIS M3006-V/M3007-P/M3007-PV: 512 MB RAM, 128 MB Flash
<b>Multi-view streaming</b>	AXIS M3006-V: Up to 8 individually cropped out view areas. When streaming 4 view areas and 1 overview in VGA resolution, the frame rate is 16/20 fps per stream with power line frequency 50/60 Hz (3 MP capture mode) AXIS M3007-P/-PV: 360° overview, panorama, double panorama, quad view. Up to 4 individually cropped out and dewarped view areas. When streaming 4 dewarped view areas and one 360° overview in VGA resolution, the frame rate is 10 fps per stream	<b>Power</b>	Power over Ethernet IEEE 802.3af AXIS M3004-V: Class 1, max. 2.2 W AXIS M3005-V: Class 1, max. 2.7 W AXIS M3006-V: Class 2, max. 4.5 W AXIS M3007-P/-PV: Class 2, max. 4.6 W
<b>Pan/Tilt/Zoom</b>	AXIS M3004-V/M3005-V: Digital PTZ AXIS M3006-V: Digital PTZ, preset positions, guard tour AXIS M3007-P/-PV: Digital PTZ with dewarping, preset positions, guard tour	<b>Connectors</b>	Male RJ-45 10BASE-T/100BASE-TX PoE on a 2 m (6.6 ft.) network cable
<b>Image settings</b>	Compression, color, brightness, sharpness, contrast, white balance, exposure control, backlight compensation, wide dynamic range - dynamic contrast, text and image overlay, privacy mask, mirroring of images AXIS M3006-V/M3007-P/M3007-PV: Exposure zones, fine-tuning of low light behavior AXIS M3004-V/M3005-V/M3006-V: Rotation: 0°, 90°, 180°, 270°, including Corridor Format AXIS M3007-P/-PV: Rotation: 0°, 180°	<b>Edge storage</b>	MicroSD/microSDHC/microSDXC slot supporting memory card up to 64 GB (card not included); support for recording to network share (network-attached storage or file server)
		<b>Operating conditions</b>	Humidity 15 - 85% RH (non-condensing) AXIS M3004-V/M3006-V/M3007-P/M3007-PV: 0 °C to 45 °C (32 °F to 113 °F) AXIS M3005-V: 0 °C to 40 °C (32 °F to 104 °F)
		<b>Approvals</b>	EN 55022 Class B, EN 61000-6-1, EN 61000-6-2, EN 55024, FCC Part 15 Subpart B Class B, ICES-003 Class B, VCCI Class B, C-tick AS/NZS CISPR 22, IEC/EN 60950-1 All models except AXIS M3007-P: KCC Class B, UL 60950-1, IEC 60529 IP42, IEC 62262 Class IK08
		<b>Weight</b>	AXIS M3004-V/M3005-V: 200 g (0.44 lb.) AXIS M3006-V: 640 g (1.4 lb.) AXIS M3007-P: 570 g (1.3 lb.) AXIS M3007-PV: 610 g (1.4 lb.)
		<b>Included accessories</b>	Drill hole template, Installation Guide, Installation and Management Software CD, Windows decoder 1-user license, Torx L-key

\* This product includes software developed by the OpenSSL Project for use in the OpenSSL Toolkit. ([www.openssl.org](http://www.openssl.org))

More information is available at [www.axis.com](http://www.axis.com)

©2012 Axis Communications AB. AXIS COMMUNICATIONS, AXIS, ETRAX, ARTPEC and VAPIX are registered trademarks or trademark applications of Axis AB in various jurisdictions. All other company names and products are trademarks or registered trademarks of their respective companies. We reserve the right to introduce modifications without notice.