

AXIS M3011 and AXIS M3014 Network Cameras

Ultra-discreet, recessed-mount video surveillance solutions.



- > Ultra-discreet fixed dome design
- > HDTV quality
- > Multiple H.264 streams
- > Easy installation
- > Power over Ethernet

AXIS M3011 and AXIS M3014 Network Cameras, with their innovative and unique design, are specifically developed for recessed mounting in drop ceilings, offering unmatched, discreet video surveillance solutions that are ideal for retail stores, banks and other office buildings.

With their ultra-discreet fixed dome design, AXIS M3011 and AXIS M3014 measure only 9 cm (3.6 in) wide and protrude only 3 cm (1.2 in) from the ceiling. To suit interior design the cover ring is available in a range of colors.

The cameras are innovatively designed for quick and easy installation in drop ceilings. Power over Ethernet (IEEE 802.3af) supplies power to the cameras via the network, eliminating the need for power cables and reducing installation costs.

The cameras use progressive scan, providing full resolution images of moving objects without distortion, at 30 frames per second. AXIS M3011 provides crisp and clear images in VGA resolution, whereas the AXIS M3014 delivers high-quality HDTV 720p or 1 megapixel video, perfect for critical areas such as entrances or checkouts that need to be monitored in greater detail.

Multiple H.264 streams, as well as Motion JPEG streams, can be provided simultaneously either in full frame rate or individually optimized for different quality needs and bandwidth constraints. AXIS M3011 also supports MPEG-4 Part 2 for backward compatibility.



Technical Specifications – AXIS M3011 and AXIS M3014 Network Cameras

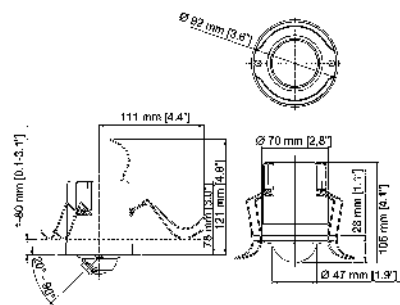
Camera	
Image sensor	AXIS M3011: 1/4" Progressive scan RGB CMOS VGA AXIS M3014: 1/4" Progressive scan RGB CMOS 1 megapixel
Lens	AXIS M3011: 3.0 mm, F2.0, fixed iris Horizontal angle of view: 66° AXIS M3014: 2.8 mm, F2.0, fixed iris Horizontal angle of view: 80°
Light sensitivity	1–100000 lux, F2.0
Shutter time	AXIS M3011: 1/5000 s to 1/4 s AXIS M3014: 1/25000 s to 1/6 s
Video	
Video compression	AXIS M3011: H.264 (MPEG-4 Part 10/AVC), Motion JPEG, MPEG-4 Part 2 (ISO/IEC 14496-2) AXIS M3014: H.264 (MPEG-4 Part 10/AVC), Motion JPEG
Resolutions	AXIS M3011: 640x480 to 160x120 AXIS M3014: 1280x800 to 160x90
Frame rate	AXIS M3011: 30 fps AXIS M3011, MPEG-4 Part 2: 30 fps AXIS M3014: 25 fps with power line frequency 50 Hz AXIS M3014: 30 fps with power line frequency 60 Hz
Video streaming	AXIS M3011: Multiple, individually configurable streams in H.264, Motion JPEG and MPEG-4 Part 2 AXIS M3014: Multiple, individually configurable streams in H.264 and Motion JPEG Controllable frame rate and bandwidth, VBR/CBR H.264
Pan/Tilt/Zoom	AXIS M3014: Digital PTZ, Preset positions, Guard tour
Image settings	Compression, Color, Brightness, Sharpness, Contrast, White balance, Exposure control, Exposure zones, Backlight compensation, Fine tuning of behavior at low light, Rotation, Text and image overlay, Privacy mask AXIS M3014: Mirroring of images
Network	
Security	Password protection, IP address filtering, HTTPS ^a encryption, IEEE 802.1X ^a network access control, Digest authentication, User access log
Supported protocols	IPv4/v6, HTTP, HTTPS ^a , SSL/TLS ^a , QoS Layer 3 DiffServ, FTP, SMTP, Bonjour, UPnP [™] , SNMPv1/v2c/v3 (MIB-II), DNS, DynDNS, NTP, RTSP, RTP, TCP, UDP, IGMP, RTCP, ICMP, DHCP, ARP, SOCKS

System integration	
Application Programming Interface	Open API for software integration, including VAPIX [®] and AXIS Camera Application Platform; specifications at www.axis.com AXIS Video Hosting System (AVHS) with One-Click Camera Connection. ONVIF; specification at www.onvif.org
Intelligent video	Video motion detection, Active tampering alarm AXIS M3014: Support for AXIS Camera Application Platform enabling installation of additional applications
Event triggers	Intelligent video
Event actions	File upload: FTP, HTTP and email Notification: email, HTTP and TCP Pre- and post-alarm video buffering AXIS M3014: Video recording to edge storage
Built-in installation aids	Pixel counter
General	
Casing	Metal camera module holder, Plastic camera module casing, Plastic transparent cover and white cover ring
Memory	AXIS M3011: 64 MB RAM, 32 MB Flash AXIS M3014: 128 MB RAM, 128 MB Flash
Power	Power over Ethernet IEEE 802.3af/802.3at Type 1 Class 1
Connectors	RJ45 10BASE-T/100BASE-TX PoE
Edge storage	Support for recording to network share (network-attached storage or file server)
Operating conditions	AXIS M3011: 0 °C to 50 °C (32 °F to 122 °F) AXIS M3014: 0 °C to 45 °C (32 °F to 113 °F) Humidity 20–80% RH (non-condensing)
Approvals	EN 55022 Class B, EN 61000-3-2, EN 61000-3-3, EN 55024, FCC Part 15 Subpart B Class B, ICES-003 Class B, VCCI Class B, C-tick AS/NZS CISPR 22 Class B, KCC KN22 Class B, KN24, EN/UL 60950-1, MIC Class B
Weight	260 g (0.6 lb)
Included accessories	Installation Guide, Installation and Management Software CD, Windows decoder 1-user license
Video management software	AXIS Camera Companion (included), AXIS Camera Station and video management software from Axis' Application Development Partners (not included). For more information, see www.axis.com/products/video/software
Warranty	Axis 1-year warranty and AXIS Extended Warranty option, see www.axis.com/warranty

- a. This product includes software developed by the OpenSSL Project for use in the OpenSSL Toolkit (<http://www.openssl.org/>), and cryptographic software written by Eric Young (ey@cryptsoft.com).

More information is available at www.axis.com

Dimensions



Optional accessories

Different color options for cover rings

