

## AXIS M31-VE Network Camera Series

Affordable and ultra-discreet outdoor fixed domes



- > Flat, discreet design
- > Excellent video quality including HDTV 720p and H.264
- > Vandal resistant
- > Tampering alarm
- > Quick installation including Power over Ethernet

The palm-sized AXIS M31-VE Network Cameras are cost-effective, ultra-discreet fixed domes for monitoring outdoor entrance areas of stores, restaurants, hotels, banks and offices.

Designed for placement near the entrance of buildings, AXIS M31-VE cameras are encased in a UV-resistant casing with a weather shield and have protection against rain, snow, sun and dust. They can operate in temperatures from 50 °C (122 °F) down to -20 °C (-4 °F). The cameras are also vandal-resistant and can detect tampering attempts such as blocking or spray-painting.

Providing excellent quality video at full frame rate, the camera series consists of AXIS M3113-VE with SVGA resolution and AXIS M3114-VE, which supports 1 megapixel and HDTV 720p.

AXIS M31-VE cameras are designed for quick installation. The desired viewing direction and a leveled image can be easily achieved by using the supplied lens tool. The tool can also be used to exchange and focus the lens when a lens with a different angle of view is required.

The cameras provide a pixel counter for verifying that the pixel resolution of an object meets specific requirements. Power over Ethernet support further simplifies installation since only one cable is needed for carrying power and video.



Setting view with lens tool



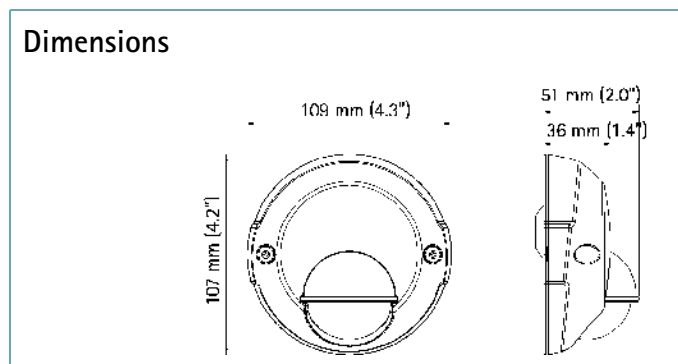
## Technical Specifications – AXIS M31-VE Network Camera Series

<b>Models</b>	AXIS M3113-VE, AXIS M3114-VE
<b>Camera</b>	
<b>Image sensor</b>	1/4" progressive scan RGB CMOS
<b>Lens</b>	M12 mount, fixed iris, megapixel resolution AXIS M3113-VE: 2.9 mm, 66° view <sup>a</sup> , F2.0 AXIS M3114-VE: 2.9 mm, 80° view <sup>a</sup> , F2.0
<b>Light sensitivity</b>	AXIS M3113-VE/M3114-VE: 1–100000 lux, F2.0
<b>Shutter time</b>	1/24500 s to 1/6 s
<b>Camera angle adjustment</b>	AXIS M31-VE: Pan ± 30°, tilt 0° – 65°, rotation ± 180°
<b>Video</b>	
<b>Video compression</b>	H.264 (MPEG-4 Part 10/AVC) Motion JPEG
<b>Resolutions</b>	AXIS M3113-VE: 800x600 to 160x90 AXIS M3114-VE: 1280x800 <sup>b</sup> to 160x90
<b>Frame rate</b>	H.264: 30 fps in all resolutions Motion JPEG: 30 fps in all resolutions
<b>Video streaming</b>	Multiple, individually configurable streams in H.264 and Motion JPEG, Controllable frame rate and bandwidth, VBR/CBR H.264
<b>Pan/Tilt/Zoom</b>	Digital PTZ, Preset positions, Guard tour
<b>Image settings</b>	Compression, Color, Brightness, Sharpness, Contrast, White balance, Exposure control, Exposure zones, Backlight compensation, Fine tuning of behavior at low light, Wide dynamic range – dynamic contrast, Text and image overlay, Mirroring of images, Privacy mask Rotation: 0°, 90°, 180°, 270°, including Corridor Format
<b>Network</b>	
<b>Security</b>	Password protection, IP address filtering, HTTPSC encryption, IEEE 802.1X <sup>c</sup> network access control, Digest authentication, User access log
<b>Supported protocols</b>	IPv4/v6, HTTP, HTTPS, SSL/TLS <sup>c</sup> , QoS Layer 3 DiffServ, FTP, CIFS/SMB, SMTP, Bonjour, UPnP™, SNMP v1/v2c/v3 (MIB-II), DNS, DynDNS, NTP, RTSP, RTP, TCP, UDP, IGMP, RTCP, ICMP, DHCP, ARP, SOCKS
<b>System integration</b>	
<b>Application Programming Interface</b>	Open API for software integration, including VAPIX® and AXIS Camera Application Platform, specifications at <a href="http://www.axis.com">www.axis.com</a> AXIS Video Hosting System (AVHS) with One-Click Camera Connection ONVIF, specification at <a href="http://www.onvif.org">www.onvif.org</a>

<b>Intelligent video</b>	Video motion detection, Active tampering alarm, AXIS Camera Application Platform enabling installation of additional applications
<b>Event triggers</b>	Intelligent video
<b>Event actions</b>	File upload: FTP, HTTP, network share and email Notification: email, HTTP and TCP Video recording to edge storage, Pre- and post-alarm video buffering, External output activation
<b>Data streaming</b>	Event data
<b>Built-in installation aids</b>	Pixel counter
<b>General</b>	
<b>Casing</b>	IP66-, IP67- and NEMA 4X-rated, IK08 impact-resistant aluminum and polycarbonate casing with weather shield, dehumidifying membrane, captive screws
<b>Memory</b>	128 MB RAM, 128 MB Flash
<b>Power</b>	Power over Ethernet IEEE 802.3af/802.3at Type 1 Class 1, max 3.2 W
<b>Connectors</b>	Male RJ45 10BASE-T/100BASE-TX PoE on a 3 m (9.8 ft) network cable
<b>Edge storage</b>	Support for recording to dedicated network-attached storage (NAS)
<b>Operating conditions</b>	-20 °C to 50 °C (-4 °F to 122 °F); Humidity 15–100% RH (condensing)
<b>Approvals</b>	EN 55022 Class B, EN 61000-3-2, EN 61000-3-3, EN 55024, EN 61000-6-1, EN 61000-6-2, FCC Part 15 Subpart B Class B, ICES-003 Class B, VCCI Class B, C-tick AS/NZS CISPR 22 Class B, EN 60950-1, EN 60950-22, IEC/EN 60529 IP66/IP67, NEMA 250 Type 4X, IEC 60721-3-4 Class 4K3 (temperature range -20 °C to 50 °C), IEC/EN 62262 Class IK08
<b>Weight</b>	330 g (0.73 lb)
<b>Included accessories</b>	Installation Guide, Installation and Management Software CD, Windows decoder 1-user license, Lens tool, Top cover tool, Drill hole template, Mounting adapter
<b>Video management software</b>	AXIS Camera Companion (included), AXIS Camera Station and video management software from Axis' Application Development Partners (not included). For more information, see <a href="http://www.axis.com/products/video/software">www.axis.com/products/video/software</a>
<b>Warranty</b>	Axis 1-year warranty, see <a href="http://www.axis.com/warranty">www.axis.com/warranty</a>

- a. Horizontal angle of view  
 b. 1440x900 (1.3 MP) scaled resolution available via VAPIX®  
 c. This product includes software developed by the OpenSSL Project for use in the OpenSSL Toolkit (<http://www.openssl.org/>), and cryptographic software written by Eric Young ([eyay@cryptsoft.com](mailto:eyay@cryptsoft.com)).

More information is available at [www.axis.com](http://www.axis.com)



### Accessories

1. M12 mount lenses
2. AXIS T8414 Installation Display
3. AXIS T90A White LED Illuminators

