

AXIS Q1755/-E Network Cameras

HDTV network cameras with zoom and autofocus.



- > HDTV image quality
- > Zoom and autofocus with pan/tilt head support
- > Power over Ethernet
- > Gatekeeper functionality
- > Outdoor-ready model with Arctic Temperature Control

The indoor AXIS Q1755 and the outdoor-ready model, AXIS Q1755-E, are day and night HDTV cameras, designed for securing areas where high-quality identification is needed, for example, at casinos, passport controls, airports, railway stations and for perimeter surveillance.

AXIS Q1755/-E Network Cameras deliver HDTV 1080i or 720p in compliance with the SMPTE 274M and 296M standards regarding resolution, color fidelity, 16:9 format and full frame rate. The cameras enable multiple, individually configurable streams in H.264 and Motion JPEG. H.264 greatly optimizes bandwidth and storage without compromising image quality.

AXIS Q1755/-E cameras have 10x optical zoom, 12x digital zoom and autofocus. They provide the desired field of view immediately and in perfect focus. The cameras can also pan and tilt when an optional pan/tilt motor is used.

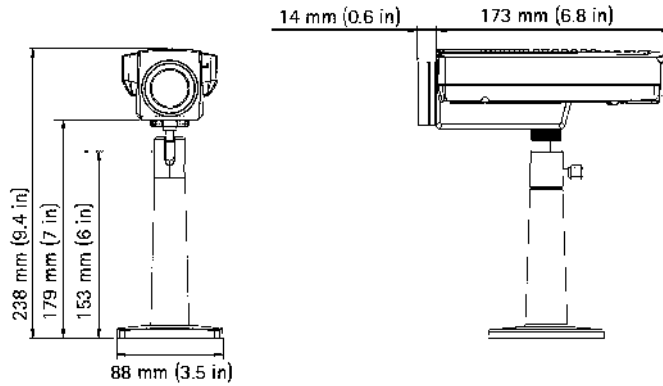
Installation is made easy with Power over Ethernet (PoE, IEEE 802.3af), which eliminates the need for power cables. The cameras also have an SD/SDHC memory card slot for storing recordings locally.

AXIS Q1755/-E cameras offer video motion detection, audio detection, active tampering alarm and the Gatekeeper functionality, which enables the cameras to automatically zoom in when there is activity in the scene, and then zoom out after a preset time interval.

The IP66-rated outdoor-ready model operates in temperatures from -40 °C to 45 °C (-40 °F to 113 °F) using PoE and High PoE, and features Axis' unique Arctic Temperature Control for powering up at very low temperatures following a power failure.

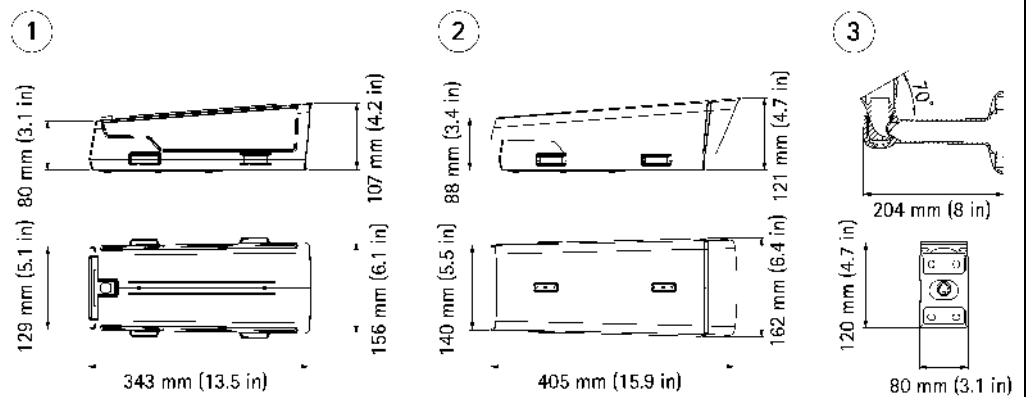


Dimensions AXIS Q1755 Network Camera



Dimensions AXIS Q1755-E Network Camera including wall mount bracket

1. Without sunshield
2. With sunshield
3. Wall mount arm and rear view of wall mount bracket



Optional Accessories

AXIS Q1755

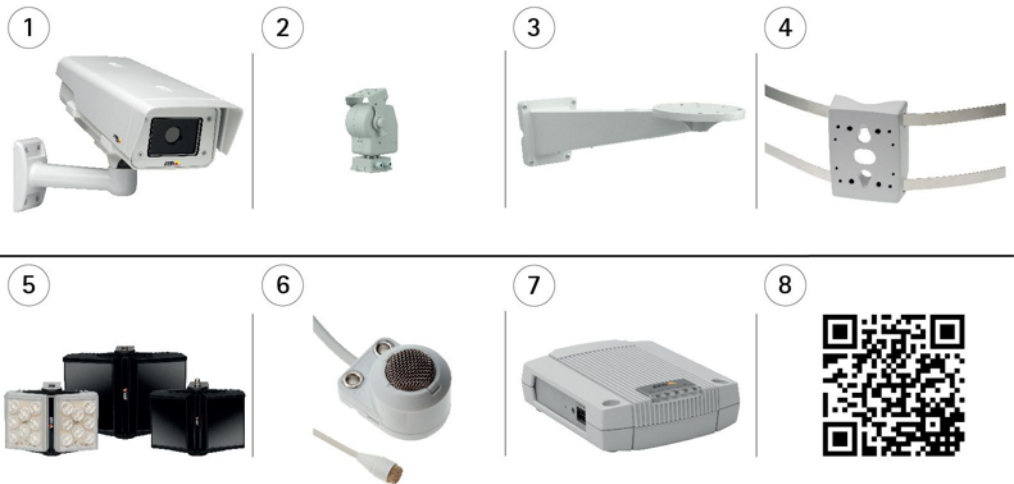
1. AXIS T92E Housing

AXIS Q1755-E

2. AXIS YP3040 Pan-Tilt Motor
3. AXIS YP3040 Wall Bracket
4. AXIS T91A47 Pole Mount

AXIS Q1755 & AXIS Q1755-E

5. AXIS T90A Illuminators
6. AXIS T83 Microphones
7. AXIS P8221 I/O Audio Module
8. Scan for a complete list of accessories www.axis.com/products/q17_series/



Technical Specifications - AXIS Q1755/-E Network Cameras

| | | | |
|--|--|--|--|
| Models | AXIS Q1755 50/60 Hz AXIS Q1755-E 50/60 Hz | Intelligent video | Video motion detection, Active tampering alarm, Audio detection, Gatekeeper, AXIS Camera Application Platform enabling installation of additional applications |
| Camera | | Event triggers | Video motion detection, Active tampering alarm, Audio detection, Temperature, External input, AXIS Camera Application Platform |
| Image sensor | Progressive scan CMOS 1/3" | Event actions | File upload: FTP, HTTP and email Notification: email, HTTP and TCP Pre- and post-alarm video buffering External output activation |
| Lens | f=5.1–51 mm, F1.8–2.1, Autofocus, Automatic day/night Horizontal angle of view: 48.1°–5.1° M37x0.75 mounting thread for optional lens adaptor | General | |
| Minimum illumination | Color: 2 lux at 30 IRE, F1.8 B/W: 0.2 lux at 30 IRE, F1.8 | Casing | Camera: Metal (zinc) AXIS Q1755-E: IP66- and NEMA 4X-rated, IK10 impact-resistant aluminum enclosure |
| Shutter time | 1/10000 s to 1/2 s | Memory | 256 MB RAM, 128 MB Flash |
| Pan/Tilt/Zoom | Zoom: 10x optical and 12x digital, total 120x | Power | AXIS Q1755: 8–20 V DC max. 11.2 W; 20–24 V AC max. 17.4 VA; Power over Ethernet IEEE 802.3af Class 3 AXIS Q1755-E: Power over Ethernet (PoE) IEEE 802.3af Class 3 or High Power over Ethernet (High PoE) |
| Video | | Connectors | RJ45 10BASE-T/100BASE-TX PoE, Terminal block for power I/O terminal block for two configurable inputs/outputs 3.5 mm mic/line in, 3.5 mm line out, RS422/RS485 Video out: 3x RCA Y/Pb/Pr (HD), 1x RCA Composite (SD) |
| Video compression | H.264 (MPEG-4 Part 10/AVC) Motion JPEG | Edge storage | SD/SDHC memory card slot (card not included) |
| Resolutions | HDTV 1080i 1920x1080, HDTV 720p 1280x720 Standard NTSC/PAL for installation | Operating conditions | AXIS Q1755: 0 °C to 45 °C (32 °F to 113 °F); Humidity 10–85% RH (non-condensing) AXIS Q1755-E: –30 °C to 45 °C (–22 °F to 113 °F) with PoE; down to –40 °C (–40 °F) with High PoE Arctic Temperature Control enables camera start-up at temperatures as low as –40 °C (–40 °F) with High PoE |
| Frame rate | H.264: 25/30 fps in all resolutions Motion JPEG: 25/30 fps in all resolutions | Approvals | EN 55022 Class B, EN 61000-6-1, EN 61000-6-2, EN 55024, FCC Part 15 Subpart B Class B, ICES-003 Class B, VCCI Class B ITE, C-tick AS/NZS CISPR 22 Class B, EN 60950-1 AXIS Q1755: EN 61000-3-2, EN 61000-3-3 AXIS Q1755-E: IEC 60529 IP66, NEMA 250 Type 4X, 60950-22, IEC 62262 IK10, IEC 60068-2-6, IEC 60068-2-27 |
| Video streaming | Multiple, individually configurable streams in H.264 and Motion JPEG Controllable frame rate and bandwidth, VBR/CBR H.264 | Weight | AXIS Q1755: 1 kg (2.2 lb) AXIS Q1755-E: 3.5 kg (7.7 lb) |
| Image settings | Compression, Brightness, Sharpness, White balance, Exposure control, Backlight compensation, Rotation - including Corridor Format, Text and image overlay, Privacy mask, Mirroring of images | Included accessories | Installation Guide, Installation and Management Software CD, Windows decoder 1-user license, Mounting and connector kits AXIS Q1755-E: Wall mount bracket, Sunshield, Cable glands |
| Audio | | Video management software | AXIS Camera Station and video management software from Axis' Application Development Partners (not included). For more information, see www.axis.com/products/video/software |
| Audio streaming | Two-way | a. <i>This product includes software developed by the OpenSSL Project for use in the OpenSSL Toolkit (http://www.openssl.org/), and cryptographic software written by Eric Young (eyay@cryptsoft.com).</i> | |
| Audio compression | AAC LC 8/16 kHz, G.711 PCM 8 kHz, G.726 ADPCM 8 kHz Configurable bit rate | More information is available at www.axis.com | |
| Audio input/output | Built-in microphone, external microphone or line input, line output | | |
| Network | | | |
| Security | Password protection, IP address filtering, HTTPS ^a encryption, IEEE 802.1X ^a network access control, Digest authentication, User access log | | |
| Supported protocols | IPv4/v6, HTTP, HTTPS ^a , QoS Layer 3 DiffServ, FTP, SMTP, Bonjour, UPnP, SNMPv1/v2c/v3 (MIB-II), DNS, DynDNS, NTP, RTSP, RTP, TCP, UDP, IGMP, RTCP, ICMP, DHCP, ARP, SOCKS, SSH. Wide range of PT heads supported (drivers available for download at www.axis.com) | | |
| System integration | | | |
| Application Programming Interface | Open API for software integration, including VAPIX [®] and AXIS Camera Application Platform, specifications at www.axis.com AXIS Video Hosting System (AVHS) with One-Click Camera Connection. ONVIF Profile S, specification at www.onvif.org | | |

About Axis Communications

Axis offers intelligent security solutions that enable a smarter, safer world. As the global market leader in network video, Axis is driving the industry by continually launching innovative network products based on an open platform – delivering high value to customers through a global partner network. Axis has long-term relationships with partners and provides them with knowledge and ground-breaking network products in existing and new markets.

Axis has more than 1,600 dedicated employees in more than 40 countries around the world, supported by a network of over 65,000 partners across 179 countries. Founded in 1984, Axis is a Sweden-based company listed on NASDAQ OMX Stockholm under the ticker AXIS.

For more information about Axis, please visit our website www.axis.com.