

DH-HAC-HFW2120E

1.4Megapixel 720P Water-proof HDCVI IR-Bullet Camera



Features

- 1/3" 1.4Megapixel CMOS
- 25/30/50/60fps@720P
- High speed, long distance real-time transmission
- HD and standard definition switchable
- OSD Menu, control over coaxial cable
- DWDR, Day/Night(ICR), AWB, AGC, BLC, 3D-DNR
- 6mm fixed lens (2.8 mm, 3.6mm, 8mm optional)
- Max. IR LEDs length 40m, Smart IR
- IP67, DC12V

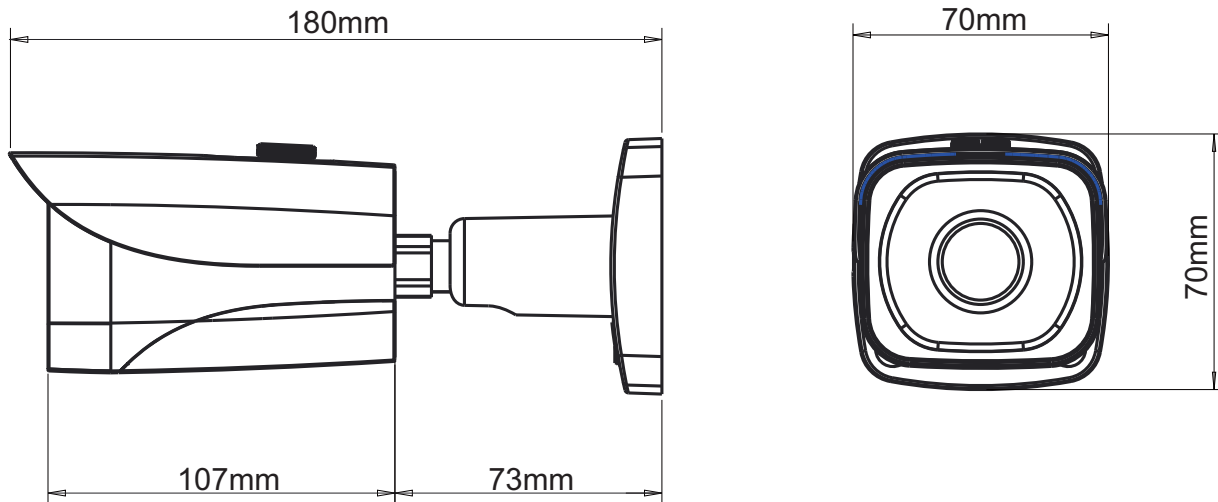
DH-HAC-HFW2120E

Technical Specifications

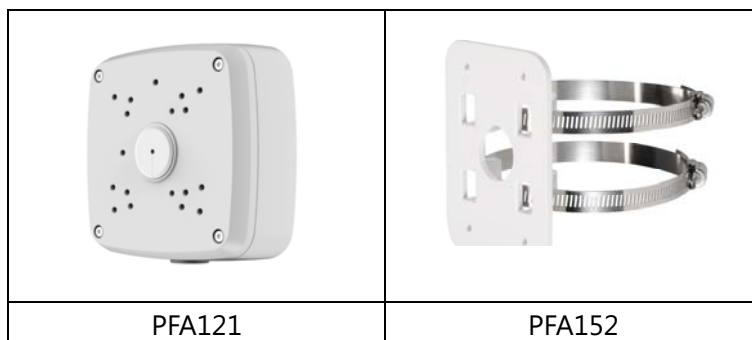
Model	DH-HAC-HFW2120EP	DH-HAC-HFW2120EN
Camera		
Image Sensor	1/3" 1.4Megapixel CMOS	
Effective Pixels	1305(H)×1049(V)	
Electronic Shutter	1/3s~1/100,000s	
Video Frame Rate	25/50fps@720P	30/60fps@720P
Synchronization	Internal	
Mini. Illumination	0.01Lux@F1.2(AGC ON), 0Lux IR on	
Video Output	1-channel BNC HDCVI high definition video output/ CVBS standard definition video output (Can switch)	
Camera Features		
Max. IR LEDs Length	40m, Smart IR	
Day/Night	Auto(ICR)/ Color/ B/W	
Noise Reduction	2D/3D	
OSD Menu	Support	
Lens		
Focal Length	6mm (2.8mm, 3.6mm, 8mm optional)	
Angle of View	H: 46° (91.6° /72.3° /34.8°)	
Mount Type	M12	
General		
Power Supply	DC12V±20%	
Power Consumption	Max 5.3W	
Working Environment	-30°C~+60°C / Less than 95%RH (no condensation)	
Transmission Distance	Over 800m via 75-3 coaxial cable	
Ingress Protection	IP67	
Dimensions(W×D×H)	180mm×70mm×70mm	
Weight	0.4kg	
Material	Metal	

DH-HAC-HFW2120E

Dimensions (mm)



Accessories (optional)



Dahua Technology Co., Ltd.

1187 BinAn Road, Binjiang District, Hangzhou, China

Tel: +86-571-87688883

Fax: +86-571-87688815

Email: overseas@dahuatech.com

www.dahuatech.com

*Design and specifications are subject to change without notice.

© 2013 Dahua Technology Co., Ltd.