

DH-IPC-PFW8802-A180

4x2MP Multi-Sensor Panoramic IR Bullet Network Camera



- Four 1/1.9" 2Megapixel progressive scan CMOS
- H.265/H.264 triple-stream encoding
- Max 25fps@4096x1800
- Support 180-degree panoramic view
- Day/Night(ICR), 3DNR, AWB, AGC, BLC, WDR
- Smart detection
- Intelligent Function
- Max. IR LEDs length 30m
- Micro SD memory, IP67, IK10,PoE+



System Overview

The multi-sensor camera provides added flexibility for capturing wide area video surveillance. With four 2MP sensors working in tandem to create a comprehensive 180-degree overview, the camera can replace multiple single-sensor cameras providing a higher return on investment. With the field of view being divided across the four sensors, adjustments can be made to each sensor for contrast and brightness, resulting in a crystal-clear panorama.

Functions

True Day/Night

A day/night mechanical IR cut filter makes this camera ideal for applications with fluctuating lighting conditions, delivering color images during the day and automatically switching to monochrome as the scene darkens.

Starlight Technology

Featured with Dahua Starlight Technology, the camera is ideal for applications with challenging light conditions. Its low light performance delivers usable video with minimal ambient light. Even in extreme low light conditions, Starlight Technology is capable of delivering color images in nearly complete darkness.

Intelligent Video System (IVS)

Dahua camera is equipped with a built-in intelligent analytic algorithm based on video, which can realize intelligent functions like Tripwire, Intrusion, Abandoned, Missing and so on, to quickly and accurately respond to monitoring events in specific area. It can enhance monitoring efficiency. In addition, the camera supports intelligent tamper detection, which is to generate warning message via detecting dramatic scene change and to guarantee effective video surveillance.

Smart IR

With IR illumination, detailed images can be captured in low light or total darkness. The camera's Smart IR technology adjusts the intensity of camera's infrared LEDs to compensate the distance of an object. Smart

IR technology prevents IR LEDs from whitening out images as they come closer to the camera. The camera's integrated infrared illumination provides high performance in extreme low-light environments up to 30m (98ft).

Smart Codec (H.265+ & H.264+)

Smart Codec is the optimized implementation of standard video compression (H.265 & H.264) that uses a scene-adaptive encoding strategy, dynamic GOP, dynamic ROI, flexible multi-frame reference structure and intelligent noise reduction to deliver high-quality video without straining the network. Smart Codec technology reduces bit rate and storage requirements by up to 70% when compared to the standard video compression.

Protection (IP67, IK10, wide voltage)

Supporting $\pm 25\%$ input voltage tolerance, this camera suits even the most unstable conditions for outdoor applications. Its 6KV lightning rating provides effective protection for both the camera and its structure against lightning. Subjected and certified to rigorous dust and immersion tests (IP67) and impact tests (IK10), The camera complies with an IK10 impact rating making it capable of withstanding the equivalent of 5 kg (11.02 lbs) of force dropped from a height of 40 cm (15.75 in.)

Environmental

Standard Dahua camera can function from -30°C to $+60^{\circ}\text{C}$ (-22°F to $+140^{\circ}\text{F}$) with 95% humidity, meanwhile some models support heater module optional which allows the camera to function from -40°C to $+60^{\circ}\text{C}$ (-40°F to $+140^{\circ}\text{F}$). With a temperature range of -40°C to $+60^{\circ}\text{C}$, the camera is designed for extreme temperature environments.

Technical Specification

Camera

| | |
|--------------------------|--|
| Image Sensor | Four 1/1.9" 2Megapixel progressive scan CMOS |
| Effective Pixels | 4096(H)x1800(V) |
| RAM/ROM | 1024MB/128MB |
| Scanning System | Progressive |
| Electronic Shutter Speed | Auto/Manual, 1/3~1/100000s |
| Minimum Illumination | 0.005Lux/F2.2(Color,1/3s,30IRE) 0.03Lux/F2.2(Color,1/30s,30IRE) 0Lux/F2.2(IR on) |
| S/N Ratio | More than 50dB |
| IR Distance | Distance up to 30m(98ft) |
| IR On/Off Control | Auto/ Manual |
| IR LEDs | 8 |

Lens

| | | | | |
|----------------------|----------------|-----------|-----------|----------|
| Lens Type | Fixed | | | |
| Mount Type | Board-in | | | |
| Focal Length | 5.0mm | | | |
| Max. Aperture | F2.2 | | | |
| Angle of View | H: 180°, V:80° | | | |
| Optical Zoom | N/A | | | |
| Focus Control | Fixed | | | |
| Close Focus Distance | N/A | | | |
| DORI Distance | Detect | Observe | Recognize | Identify |
| | 53m(178ft) | 21m(69ft) | 10m(33ft) | 5m(17ft) |

Pan/Tilt/Rotation

| | |
|-------------------------|--|
| Pan/Tilt/Rotation Range | Pan:0°~360°; Tilt:0°~90°; Rotation:0°~360° |
|-------------------------|--|

Intelligence

| | |
|--------------------------------|---|
| Event Trigger | Motion detection, Video tampering , Scene changing, Network disconnection , IP address conflict, Illegal Access,Storage anomaly |
| IVS | Tripwire, Intrusion, Object Abandoned/Missing |
| Advanced Intelligent Functions | Heat Map, E-PTZ |

Video

| | |
|----------------------|---|
| Compression | H.265/H.264/H.264B/H.264H/MJPEG(Sub Stream) |
| Smart Codec | Support H.265+/H.264+ |
| Streaming Capability | 3 Streams |
| Resolution | 4096×1800/3840×1680/2880×1264/ /1920×832/1280×560/1024X452 |
| Frame Rate | Main Stream: 4096x1800 (1~25fps) |
| | Sub Stream: 1024X452 (1 ~ 25fps) |
| | Third Stream: 1920x832 (1 ~ 25fps) |

| | |
|-------------------------------------|--|
| Bit Rate Control | CBR/VBR |
| Bit Rate | H.265: 9Kbps~ 9472Kbps H.264: 24Kbps~ 15616Kbps |
| Day/Night | Auto(ICR) / Color / B/W |
| BLC Mode | BLC / HLC / WDR(120dB) |
| White Balance | Auto/Natural/Street Lamp/Outdoor/Manual |
| Gain Control | Auto/Manual |
| Noise Reduction | 3D DNR |
| Motion Detetion | Off / On (4 Zone, Rectangle) |
| Region of Interest | Off / On (4 Zone) |
| Electronic Image Stabilization(EIS) | N/A |
| Smart IR | Support |
| Defog | N/A |
| Digital Zoom | 16x |
| Flip | N/A |
| Mirror | N/A |
| Privacy Masking | Off / On (4 Area, Rectangle) |

Audio

| | |
|-------------|---------------------------|
| Compression | G.711a/G.711Mu/AAC/ G.726 |
|-------------|---------------------------|

Network

| | |
|---------------------|---|
| Ethernet | RJ-45 (100/1000Base-T) |
| Protocol | HTTP;HTTPs;TCP;ARP;RTSP;RTP;UDP;RTCP;SMTP; FTP;DHCP;DNS;DDNS;PPPOE;IPv4/v6;QoS;UPnP; NTP;Bonjour;IEEE 802.1x;Multicast;ICMP;IGMP;S NMP;TLS |
| Interoperability | ONVIF Profile S&G, API |
| Streaming Method | Unicast / Multicast |
| Max. User Access | 10 Users/20 Users |
| Edge Storage | NAS Local PC for instant recording Mirco SD card 128GB |
| Web Viewer | IE, Chrome, Firefox, Safari |
| Management Software | Smart PSS, DSS, DMSS |
| Smart Phone | IOS, Android |

Certifications

| | |
|----------------|--|
| Certifications | CE (EN 60950:2000) UL:UL60950-1 FCC: FCC Part 15 Subpart B |
|----------------|--|

Interface

| | |
|-----------------|--|
| Video Interface | 1 Port(For adjustment only) |
| Audio Interface | 1/1 channel In/Out |
| RS485 | N/A |
| Alarm | 2 channel In: 5mA 5VDC 2 channel Out: 1A 30VDC / 0.5A 50VAC |

Electrical

| | |
|-------------------|-------------------------------|
| Power Supply | AC24V, PoE+(802.3at)(Class 4) |
| Power Consumption | <25.5W |

Environmental

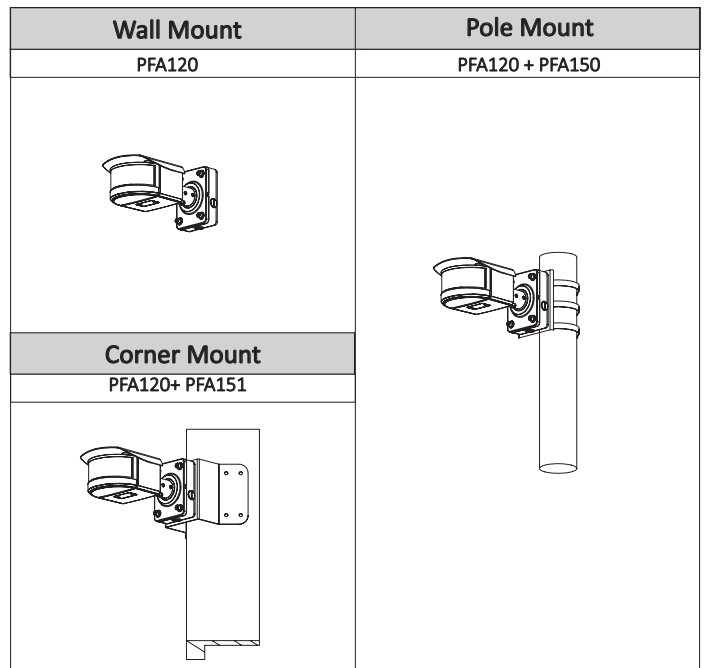
| | |
|----------------------|---|
| Operating Conditions | -40° C ~ +60° C (-40° F ~ +140° F) / Less than 95% RH |
| Storage Conditions | -40° C ~ +60° C (-40° F ~ +140° F) / Less than 95% RH |
| Ingress Protection | IP67 |
| Vandal Resistance | IK10 |

Construction

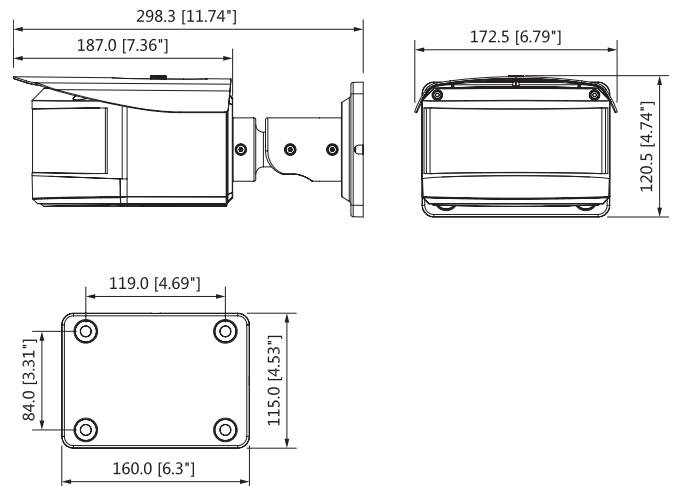
| | |
|--------------|---|
| Casing | Metal |
| Dimensions | 298.3mm×172.5mm×120.5mm (11.74"×6.79"×4.74") |
| Net Weight | 2.7kg(5.95lb) |
| Gross Weight | 3.61kg(7.96lb) |

Ordering Information

| Type | Part Number | Description |
|------------------------|----------------------|--|
| 4x2MP camera | DH-IPC-PFW8802P-A180 | 4x2MP Multi-Sensor Panoramic IR Bullet Network Camera, PAL |
| | DH-IPC-PFW8802N-A180 | 4x2MP Multi-Sensor Panoramic IR Bullet Network Camera,NTSC |
| | IPC-PFW8802P-A180 | 4x2MP Multi-Sensor Panoramic IR Bullet Network Camera, PAL |
| | IPC-PFW8802N-A180 | 4x2MP Multi-Sensor Panoramic IR Bullet Network Camera,NTSC |
| Accessories (optional) | PFA120 | Junction Box |
| | PFA150 | Pole mount |
| | PFA151 | Corner mount |



Dimensions (mm/inch)



Accessories

Optional:



PFA120
Junction Box



PFA150
Pole mount



PFA151
Corner mount