

DH-SD42116I-HC

1MP 16x Starlight PTZ HDCVI Camera



- 1/2.8" STARVIS™ CMOS
- Powerful 16x optical zoom
- Starlight technology
- Max. 25/30/50/60fps@720P
- 120dB true WDR, 3D DNR
- IP66, IK10



System Overview

Featuring with powerful optical zoom and accurate pan/tilt/zoom performance, the SD42 series PTZ camera can provide large monitoring range and great detail. The camera delivers 720P resolution at 50/60fps, with 16x optical zoom. and has very excellent low light performance due to adopting the latest starlight technology. SD42 series PTZ is equipped with quick and smooth control, high quality image and good protection, which make it can meet most of the requirements of video surveillance applications.

Functions

Simplicity

HDCVI technology inherits the born feature of simplicity from traditional analog surveillance system, making itself a best choice for investment protection. HDCVI system can seamlessly upgrade the traditional analog system without replacing existing coaxial cabling. The plug and play approach enables full HD video surveillance without the hassle of configuring a network.

Starlight Technology

For challenging low-light applications, Dahua's Starlight Ultra-low Light Technology offers best-in-class light sensitivity, capturing color details in low light down to 0.005 lux. The camera uses a set of optical features to balance light throughout the scene, resulting in clear images in dark environments.

Wide Dynamic Range

Embedded with industry leading wide dynamic range (WDR) technology, vivid pictures are achieved even in the most intense contrast lighting conditions. For applications with both bright and low lighting conditions that change quickly, true WDR (120dB) optimizes both the bright and dark areas of a scene at the same time to provide usable video.

Environmental

With a temperature range of -30 °C to +60 °C (-22 °F to +140°F), the camera is designed for extreme temperature environments. The camera complies to an IK10 impact rating making it capable of withstanding the equivalent of 55 kg (120 lbs) of force. Subjected and certified to rigorous dust and water immersion tests, the IP66 rating makes it suitable for demanding applications.

Protection

This camera suits even the harsh conditions for applications. Its 2KV lightning rating provides protection against the camera and its structure from the effects of lightning.

Technical Specification

Camera

Image Sensor	1/2.8" STARVIS™ CMOS
Effective Pixels	1280(H) x 720(V), 1 Megapixels
Scanning System	Progressive
Electronic Shutter Speed	PAL: 1/3s~1/30,000s NTSC: 1/4s~1/30,000s
Minimum Illumination	Color: 0.005Lux@F1.6; B/W:0.0005Lux@F1.6
S/N Ratio	More than 50dB
IR Distance	N/A
IR On/Off Control	N/A
IR LEDs	N/A

Lens

Focal Length	5.3mm~84.8mm
Max. Aperture	F1.6 ~ F3.0
Angle of View	H: 57.2°~3.75°
Optical Zoom	16x
Focus Control	Auto/Manual
Close Focus Distance	100mm~ 1000mm

DORI Distance

*Note: The DORI distance is a "general proximity" of distance which makes it easy to pinpoint the right camera for your needs. The DORI distance is calculated based on sensor specification and lab test result according to EN 62676-4 which defines the criteria for Detect, Observe, Recognize and Identify respectively.

Detect	Observe	Recognize	Identify
883m(2897ft)	353m(1158ft)	177m(581ft)	88m(289ft)

PTZ

Pan/Tilt Range	Pan: 0° ~ 360° endless; Tilt: -2° ~ 90°, auto flip 180°
Manual Control Speed	Pan: 0.1° ~ 300° /s; Tilt: 0.1° ~ 120° /s
Preset Speed	Pan: 300° /s; Tilt: 200° /s
Presets	300
PTZ Mode	5 Pattern, 8 Tour, Auto Pan ,Auto Scan
Speed Setup	Human-oriented focal Length/ speed adaptation
Power up Action	Auto restore to previous PTZ and lens status after power failure
Idle Motion	Activate Preset/ Scan/ Tour/ Pattern if there is no command in the specified period
Protocol	DH-SD, Pelco-P/D (Auto recognition)

Video

Resolution	720P(1280x720)
Frame Rate	25/30/50/60fps@720P

Video Output	1-channel BNC high definition video output/ CVBS standard definition video output (switchable)
Day/Night	Auto(ICR) / Color / B/W
OSD Menu	Support
Backlight Compensation	BLC / HLC / WDR(120dB)
White Balance	Auto, ATW, Indoor, Outdoor, Manual
Gain Control	Auto / Manual
Noise Reduction	Ultra DNR (2D/3D)
Digital Zoom	16x
Flip	180°
Privacy Masking	Up to 24 areas

Certifications

Certifications	CE: EN55032/EN55024/EN50130-4 FCC: Part15 subpartB,ANSI C63.4- 2014 UL: UL60950-1+CAN/CSA C22.2, No.60950-1
----------------	---

Interface

Video Interface	1
Audio Interface	1 channel in
RS485	1
Alarm I/O	2/1

Electrical

Power Supply	AC24V/1.5A(±10%)
Power Consumption	10W

Environmental

Operating Conditions	-30°C ~ 60°C (-22°F ~ +140°F) / Less than 95% RH
Ingress Protection	IP66
Vandal Resistance	IK10

Construction

Casing	Metal
Dimensions	Φ170(mm)×155(mm)
Net Weight	1.8kg(3.97lb)
Gross Weight	3.3kg(7.28lb)

Ordering Information

Type	Part Number	Description
1MP PTZ Camera	DH-SD42116I-HC	1MP 16x Starlight PTZ HDCVI Camera, WDR, PAL
	DH-SD42116IN-HC	1MP 16x Starlight PTZ HDCVI Camera, WDR, NTSC
	SD42116I-HC	1MP 16x Starlight PTZ HDCVI Camera, WDR, PAL
	SD42116IN-HC	1MP 16x Starlight PTZ HDCVI Camera, WDR, NTSC
Accessories	PFB302S	Wall Mount
	PFA102	Mount Adapter
	AC24V/1.5A	Power Adapter
	PFB300C	Ceiling Mount
	PFA150	Pole Mount
	PFA151	Corner Mount

Accessories

Included:



AC24V/1.5A
Power Adapter

Optional:



PFB302S
Wall Mount



PFA102
Mount Adapter



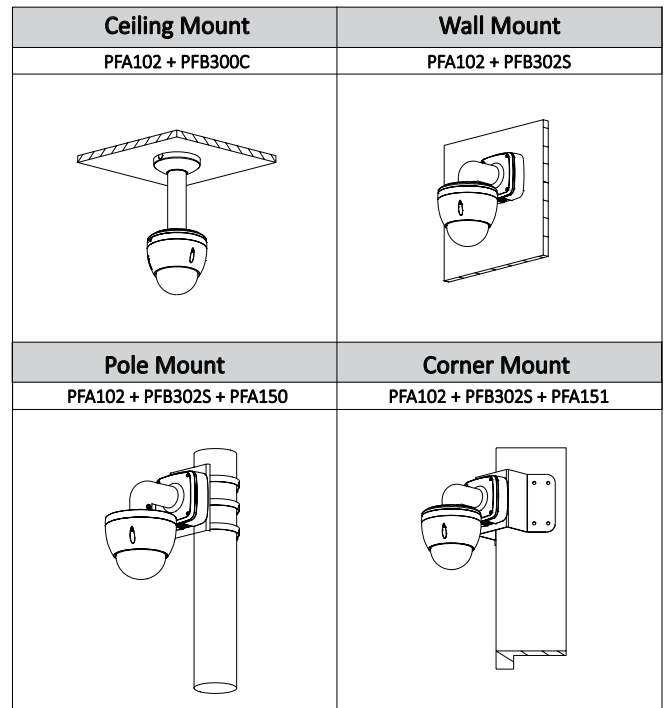
PFB300C
Ceiling Mount



PFA150
Pole Mount



PFA151
Corner Mount



Dimensions (mm)

