

DH-TPC-BF5400-TC

Thermal Network Bullet Camera



- 400x300 VOx uncooled thermal sensor technology
- Athermalized Lens (thermal), Focus-free
- Support temperature measurement
- Support Fire detection & alarm
- Various lens optional (7.5/13/19/25/35mm)
- 2/1 alarm in/out
- Micro SD memory, IP67, PoE



System Overview

Featuring a fixed lens bullet camera, this series provides an all-in-one solution that is especially beneficial for long distance video surveillance in outdoor applications. Together with Thermal technology, the camera's long range capabilities are able to be utilized even at night.

Functions

Uncooled Vox Technology

Dahua thermal cameras use uncooled Vox sensor technology. Their small size and better performance make them a cost-effective solution for thermal security.

High Sensitivity

High thermal sensitivity (<40mK) allows cameras to capture more image details and temperature difference information.

Fire Detection & Alarm

With built-in fire detection functionality, the camera has the ability to detect fires from long range. Because thermal cameras are sensitive to temperature, they provide higher fire detection accuracy than standard cameras, making them particularly fit for applications such as forest fire prevention.

Temperature Measurement

Dahua thermal cameras (-T models) provide remote temperature monitoring functionality with the ability to set temperature threshold alarms. Object temperatures can be monitored in daytime or at night, making them ideal for usage in power plant or oil extraction applications where overheating can be dangerous. When the temperature exceeds the set threshold, an alarm is triggered. The temperature range is between -40 °C to 550 °C (-40 °F to 1022 °F).

Intelligent Video System (IVS)

IVS is a built-in video analytics algorithm that delivers intelligent functions to monitor a scene for tripwire violations, intrusion detection, and abandoned or missing objects. A camera with IVS quickly and accurately responds to monitoring events in a specific area.

Environmental

With a temperature range of -40 °C to +60 °C (-40 °F to +140 °F), the camera is designed for extreme temperature environments. Subjected and certified to rigorous dust and water immersion tests, the IP67 rating makes it suitable for demanding outdoor applications.

Protection

The camera allows for ±15% input voltage tolerance, suitable for the most unstable conditions for outdoor applications. Its 6KV lightning rating provides effective protection for both the camera and its structure against lightning.

Technical Specification

Thermal Camera

Image Sensor	Uncooled VOx Microbolometer
Effective Pixels	400(H)x300(V)
Pixel Size	17um
Thermal Sensitivity(NETD)	<40mK@f/1.0
Spectral Range	7~14um
Image Setting	Brightness/Sharpness/ROI/AGC/FFC/3D DNR
Color Palettes	14(Whitehot/Blackhot/Ironrow/Icefire/Fusion/Rainbow/Globow/Iconbow1/Iconbow2 .etc)

Thermal Lens

Lens Type	Fixed				
Focus Control	Athermalized, Focus-free				
Focal Length	7.5mm	13mm	19mm	25mm	35mm
Angle of View	H: 52° V: 40°	H: 29.7° V: 22.3°	H: 20.4° V: 15.3°	H: 15.5° V: 11.6°	H: 11.1° V: 8.3°
Effective Distance ^① Man(1.8m*0.5m)	D②: 240m R③: 60m I④: 30m	D: 450m R: 110m I: 60m	D: 640m R: 160m I: 80m	D: 1000m R: 250m I: 125m	D: 1300m R: 320m I: 160m
Effective Distance Vehicle(2.3m*2.3m)	D: 720m R: 180m I: 90m	D: 1300m R: 350m I: 180m	D: 2000m R: 500m I: 250m	D: 3000m R: 720m I: 360m	D: 4000m R: 1000m I: 500m

Video

Compression	H.264/MJPEG
Frame Rate	Main Stream: 1280*1024 (default)/720P @1 ~ 25/30fps Sub Stream: 640*512 (default)/320*256 @1 ~ 25/30fps
Bit Rate Control	CBR/VBR
Bit Rate	H.264: 640K ~8Mbps
Motion Detetion	Off/On (4 zone, Rectangle)
Region of Interest	Off/On (4 zone)
Electronic Image Stabilization (EIS)	NA
Digital Zoom	19x
Flip	180°
Mirror	Off/On
Privacy Masking	Off/On (4 area, Rectangle)

Temperature Measurement

Measurement Range	Low Gain: -40°C ~+550°C High Gain: -40°C ~+150°C
Measurement Accuracy	Max (±2°C, ±2%)/Operating Temperature(-20°C~50°C)
Measurement Mode	Spot/Line/Area
Measurement Rule	Spot: 12 Line: 12 Area: 12 Support 12 rules simultaneously

Audio

Compression	G.711a/G.711Mu/AAC
-------------	--------------------

Intelligence

IVS	Tripwire, Intrusion, Object Abandon/Missing
Advanced Intelligent Functions	Fire detection & alarm

Network

Ethernet	RJ-45 (10/100Base-T)
Protocol	IPv4/IPv6, HTTP, HTTPS, 802.1x, Qos, FTP, SMTP, UPnP, SNMP, DNS, DDNS, NTP, RTSP, RTP, TCP, UDP, IGMP, ICMP, DHCP, PPPoE, ONVIF
Interoperability	ONVIF Profile S & G, PSIA, CGI
Streaming Method	Unicast/Multicast
Max. User Access	10 Users/20 Users
Edge Storage	micro SD (128GB) Memory status display (Normal/Error/Active/Formatting / Lock), NAS (Network Attached Storage), Local PC for instant recording
Web Viewer	<IE11, <Chrome45, <Firefox52
Management Software	Smart PSS, DSS
Smart Phone	Android, ios

Certifications

Certification	CE (EN 60950:2000) FCC (FCC Part 15 SubpartB)
---------------	---

Interface

Video Interface	1.0Vp-p/75Ω, PAL/NTSC (HDCVI Optional)
Audio Interface	Input/Output 1 Input / 1 Output
RS485	Support
Alarm	2/1 In/Out

Electrical

Power Supply	AC 24V/DC 12V/PoE
Power Consumption	Max. 10W

Environmental

Operating Condition	-40°C ~ +60°C (-40°F ~ +140°F)/Less than 95% RH * Start up should be done at above-40°C (-40°F)
Storage Conditions	-40°C ~ +70°C (-40°F ~ +158°F)/Less than 95% RH
Ingress Protection	IP67

Construction

Casing	Metal
Dimensions	291mm× 103mm× 97mm (11.46" x 4.06" x 3.82")
Net Weight	1.37Kg (3.02 lb)
Gross Weight	1.7Kg (3.75 lb)

Note:

- ① Effective distance values shown are nominal values and should be used as estimates only. Exact value calculations depend on a wide variety of conditions.
- ② D: Detection Distance
- ③ R: Recognition Distance
- ④ I: Identification Distance

Ordering Information		
Type	Part Number	Description
DH-TPC-BF5400-T	DH-TPC-BF5400P-TC7 DH-TPC-BF5400N-TC7	Thermal: 400x300 7.5mm lens Temperature measurement
	DH-TPC-BF5400P-TC13 DH-TPC-BF5400N-TC13	Thermal: 400x300 13mm lens Temperature measurement
	DH-TPC-BF5400P-TC19 DH-TPC-BF5400N-TC19	Thermal: 400x300 19mm lens Temperature measurement
	DH-TPC-BF5400P-TC25 DH-TPC-BF5400N-TC25	Thermal: 400x300 25mm lens Temperature measurement
	DH-TPC-BF5400P-TC35 DH-TPC-BF5400N-TC35	Thermal: 400x300 35mm lens Temperature measurement

Accessories

Optional:

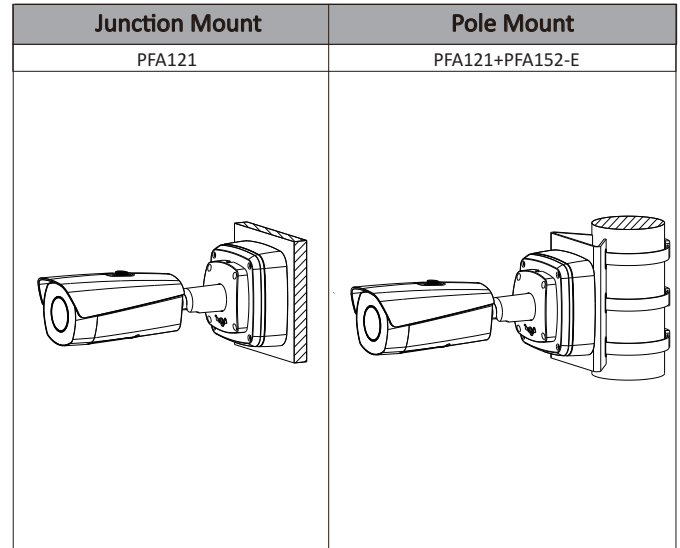


PFA121
Junction box



PFA152-E
Pole Mount

Mounting Type



Dimensions(mm)

