

FW1174-VC

H.264/MJPEG VGA Cost-effective Mini Dome Camera



Key Features

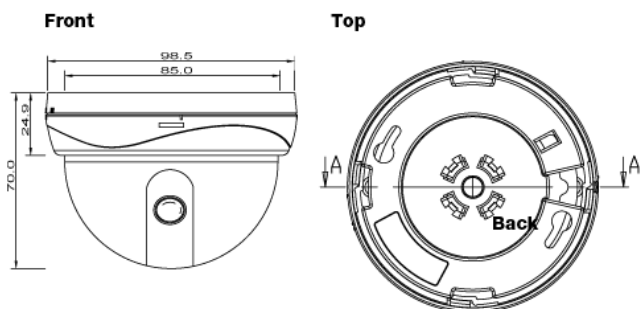
- 1/4" VGA CMOS Sensor
- 3.6mm(F1.8) Fixed Lens
- Min. Illumination: 1Lux
- Max. 30fps@VGA(640x480)
- Dual Stream(H.264, MJPEG)
- Onboard storage by Micro SD
- Built-in PoE (Optional)

Supports both ONVIF(ProfileS) and PSIA(v1.0) standards.

| | |
|-----------------------------|---|
| Video Encoding | H.264/MJPEG(simultaneous dual stream) H.264/H.264 (true H.264 dual streaming) Simultaneous streaming with independent control |
| Video signal | N/A |
| Resolution | 640x480, 320x240, 160x120 |
| Live Casting | Streaming video channels Up to max 30fps@ VGA when simplex |
| Audio Encoding | N/A |
| Audio channels | N/A |
| PTZ support | N/A |
| Serial Interface | Console, By-pass command to control UART device Serial Input/Output mode (3.3V TTL) |
| Bandwidth Management | Frame rate control / Bandwidth control / CBR / VBR [Trigger Condition] Video loss / Video recovered / Motion detection (144 area) / Boot finished / Schedule |
| Alarm Management | [Alarm Service] Image holding service (Max 5.6MByte pre-post alarm buffer), Image upload service through E-mail / FTP (support pre & post), Notification service through TCP / UDP / HTTP |
| Security | Channel based user password protection for live-cast, PTZ, alarm output and audio |
| Dynamic IP | Dynamic IP service using www.ipcctvdns.com |
| Smart Solution | Smart Phone Application (IOS, Android) |
| Web interface | Live-cast, PTZ control, search through Web browser Minimum PC requirement - Windows XP Pro (IE 6.x or later) , Pentium4 (2Ghz, 2G RAM), Video Card(256MB RAM, 1024x768) |
| Management Software | Supports 16, 32, 64, 128ch Management Software Full-featured PC NVR with matrix functionality |
| System Integration | [Protocol] HTTP, RTP/RTSP, TCP/IP, FTP, Telnet, RARP, PPPoE, SNMP, PAP, CHAP, DHCP, NTP, SMTP client, uPNP, and etc. [SDK] Open HTTP API / ActiveX for live cast with audio & PTZ [Service] Image upload / notification service / service for POS integration |

| | |
|---------------------------------------|--|
| Installation & maintenance | Configuration by installation wizard, HTTP, telnet and console. Upgrade firmware through HTTP, telnet & FTP |
| Misc. | Transmit serial input data with video Quick Time & VLC media player compatible |
| System hardware | 32bit Embedded CPU / Embedded Linux / 128MByte SDRAM / 128MByte NAND Flash |
| Power | SMPS 12V (1A) [AC100~240V, 50/60Hz, 300mA] Max. Power Consumption - DC12V, 1.8W |
| Approvals | KC, FCC, CE, RoHS |
| Dimension / Weight | 100 Ø x 70 (H) (in mm) About 190g without Power Supply |
| External Interface | 10/100-Base-T Ethernet (auto-sensing) 1 UART port(3.3V TTL) 1 Micro SD memory interface Factory Default Button |
| Working Environment | Temperature: 0~50 ℃, Humidity: 20~80% RH |
| Image sensor | 1/4" optical format CMOS Sensitivity: 1500mV/lux sec MAX Active pixel resolution: 652x488 S/N ratio: 46dB White Balance: AWB |
| Lens | 3.6mm, Fixed, F1.8 |
| Image Setting | Exposure Control Brightness/Contrast Control Mirror Control (Normal/Mirror/Flip/Rotate) Frequency Control (50/60) |
| Minimum illumination | 1 Lux |
| Options | Built-in PoE (IEEE 802.3af) |

Dimensions



Accessory