



N437BDL/P
Motorized Bullet Camera



N437VDL/P
Motorized Dome Camera

FLIR IP™

Motorized CNV Bullet & Dome IP Cameras

The FLIR Motorized CNV Bullet IP Camera offers Color Night Vision (CNV) capability and Adaptive Scene Optimization (ASO) for superior night time imaging in the most challenging conditions. Ultra WDR capability ensures excellent image quality around the clock. Installation is simplified with integrated PoE and remote zoom and focus adjustment, allowing for single cable installation.

HD PICTURE QUALITY

Outstanding image detail, day & night

- 2.1 MP HD @ 50/60fps, 1/1.9" CMOS, 4~8mm motorized varifocal lens
- IR night vision range up to 100ft / 30m in total darkness
- IP66 weatherproof rated, IK10 vandalproof (N437VDL/P only)

ANYTIME CLARITY

Advanced image correction for challenging lighting conditions

- Color Night Vision (CNV) and Adaptive Scene Optimization (ASO) provide superior detail and clarity in low-light conditions
- Ultra WDR performance ensures more accurate detail in high contrast scenes
- Defog feature helps overcome environments with challenging visibility

EASY INSTALLATION & OPERATION

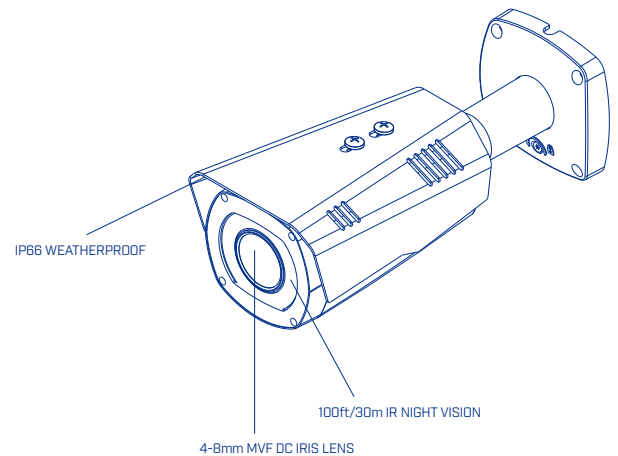
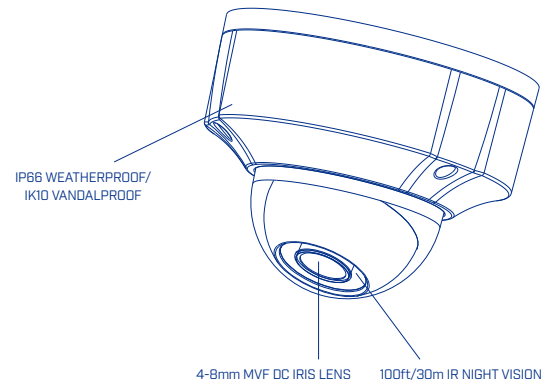
Power-over-Ethernet (PoE, class 3) support for simplified cabling

- Remote zoom & focus adjustment with motorized varifocal lens
- ONVIF Profile S conformance
- Centralized viewing and control with PC / Mac, supports 64GB microSD Edge storage
- Built-in Tamper Detection senses if the camera has been moved or covered.



Specifications

Camera	N437BDL/P	N437VDL/P
Imaging Device	2.1MP, 1/1.9 Inch	
Effective Pixels	1920 x 1080	
Image Type	CMOS	
Image Readout	Progressive Scan	
Day / Night	Auto / Color / B/W	
Day/Night Delay Adjustment	Yes	
Mechanical IR Cut Filter	Yes	
Min. Illumination	0.005lux @ F1.2 (Color)	
	0.0005lux @ F1.2 (B/W)	
S/N Ratio	≥50dB	
Field of View (H)	56 ~ 105°	
IR Illumination	100ft / 30m, 850nm	
IR On / Off Control	Yes	
Video Output	RJ45 / Service Out (2-pin - BNC F)	
Electronic Shutter Range	1/3(4)s - 1/10,000s	
Optical		
Lens Type	Motorized varifocal	
Mount Type	Board Type	
Iris Type	DC Iris	
Focal Length	4 - 8mm	
Aperture	F1.65 ~ F2.43	
Optical Zoom	2x	
Focus	AF / Manual	
Video		
Video Compression	H.264 / MJPEG	
Video Streams	H.264 / H.264 / MJPEG Triple Stream	
Resolution Selection	1080P(1920×1080) / 720P(1280×720) / D1(704×480) / CIF(352×240)	
Aspect Ratio	16 : 9	
Frame rates (Maximum)	2MP @ 50 / 60fps	
Bit Rate Control	CBR / VBR	
Bit Rate Selection	H.264: 48K ~ 8192Kbps	
Quality Setting Range (Default)	1-6 (4)	
Region of Interest (Selectable Area's)	Yes (6)	
Dynamic Range	Up to 120dB	
Wide Dynamic Range	Ultra WDR	
Backlight Compensation	BLC / HLC / ASO	
White Balance	Auto / Manual	
Gain Control	Auto / Manual	
Noise Reduction	3D Advanced	
Smart IR	Yes, User Adjustable	
Digital Zoom	16x	
Tamper Detection	Yes	
Video Mirroring/Rotation	Horizontal Mirror / Vertical Flip	
Video Overlay	Time / Date / Camera / Custom	
Window Blanking (Privacy)	Up to 4 Areas	
Menu Languages	English	
Network		
Protocols	IPv4/IPv6, HTTP, HTTPS, SSL, TCP/IP, UDP, UPnP, ICMP, IGMP, SNMP, RTSP, RTP, SMTP, NTP, DHCP, DNS, PPPoE, DDNS, FTP, IP Filter, QoS, Bonjour	
ONVIF Conformance	Profile S	
RTSP Video	Standard RFC2326, Support QuickTime/VLC Player. User Security Authentication (Enabled/Disabled)	
Unicast	20 Users	
Multicast	20 Users	

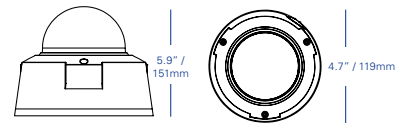


Specifications

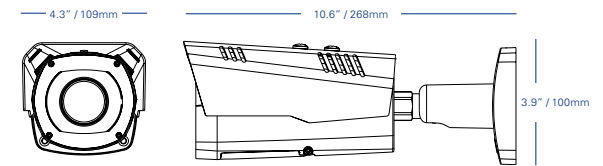
Audio	N437BDL/P	N437VDL/P
Input/Output	1 Input / 1 Output	
Encoding	G.711a / G.711u / PCM	
Mechanical		
Material	Aluminum Alloy	
Junction Box Compatibility	S1JF2G	S1JF5G
Product Dimensions (D x H)	10.6" x 4.3" x 3.9" / 268 x 109 x 100mm	φ 5.9" x 4.7" / φ 151 x 119mm
Product Weight	3.1lb / 1.4kg	2.6lbs / 1.2kg
Electrical		
Network Port	RJ45 (10/100/1000 Base-T)	
Analog Video Out (service only)	Yes, 2-pin to BNC F type	
Power Input	24V AC	12V DC / 24V AC
Power over Ethernet Type (PoE)	PoE (802.3af)	
Power Consumption (Maximum)	15 W	18 W
Current Consumption (Maximum)	625mA	1000mA (12V) / 759mA (24 V)
Edge Storage	Yes / microSD Type (64GB max.)	
Built-in Heater	Yes	No
Alarm I/O	2 Inputs / 1 Output	1 Input / 1 Output
Environmental		
Storage Temperature	-40°F ~ +140°F / -40°C ~ +60°C	-22°F ~ +140°F / -30°C ~ +60°C
Storage Humidity	Less than 95% RH	
Operating Temperature	-40°F ~ +140°F / -40°C ~ +60°C	-22°F ~ +140°F / -30°C ~ +60°C
Operating Humidity	Less than 95% RH	
Cold Start Temperature	-40°F / -40°C	-22°F / -30°C
Ingress Protection	IP66 Rated	
Vandal Resistance	N/A	IK10 Rated

Dimensions

N437VDL



N437BDL



Ordering Information

N437VDL: 8-41430-01053-1
N437BDL: 8-41430-01052-4

N437VDLP: 8-41430-01152-1
N437BDLP: 8-41430-01155-2

Package Dimensions

7.6 x 7.5 x 8" / 192 x 190 x 202mm
13.4 x 6.5 x 6.5" / 340 x 164 x 165mm

7.6 x 7.5 x 8" / 192 x 190 x 202mm
13.4 x 6.5 x 6.5" / 340 x 164 x 165mm

MARKHAM, ONTARIO

FLIR Systems, Inc.
250 Royal Crest Court
Markham, ON L3R 3S1
Canada
PH: +1 866.344.4674

www.flir.com/security
NASDAQ: FLIR

PORTLAND

Corporate Headquarters
FLIR Systems, Inc.
27700 SW Parkway Ave.
Wilsonville, OR 97070
USA
PH: +1 866.477.3687

Equipment described herein may require US Government authorization for export purposes. Diversion contrary to US law is prohibited. Imagery for illustration purposes only. Specifications are subject to change without notice. ©2015 FLIR Systems, Inc. All rights reserved. [Created 11/26/15]