

Features

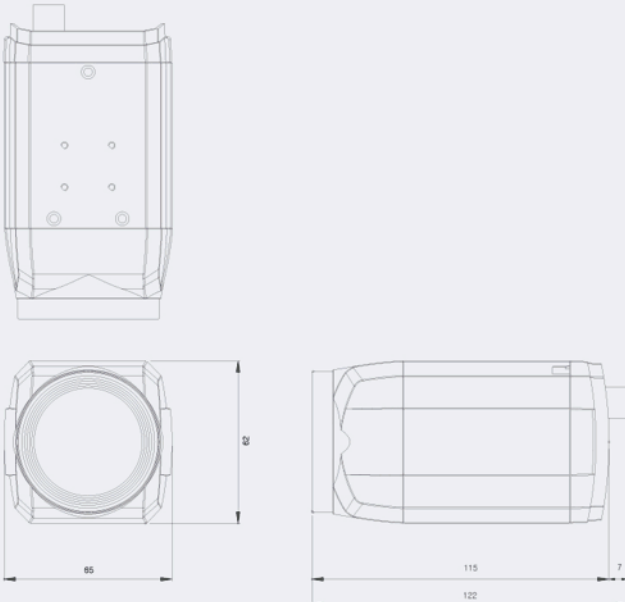
- 1/4 inch Super HAD CCD
- **30x Optical Power Zoom Lens**
- 10x Digital Zoom (300x Zoom)
- Built-in Auto Iris / Auto Focus
- **Day & Night (ICR)**
- Digital Slow Shutter
- OSD (On Screen Display)
- RS-485 / PTZ Controller Interface



REAR VIEW



DIMENSIONS



SPECIFICATIONS

Model	CNB-A1563NL	CNB-A1563PL
Signal System	NTSC	PAL
Scanning Frequency (H)	15.734 KHz	15.625 KHz
Scanning Frequency (V)	59.94 Hz	50 Hz
Scanning System	2:1 Interlace	
Image Sensor	1/4 Inch Super HAD CCD	
Total Pixels	811(H) x 508(V) 410K	795(H) x 596(V) 470K
Total / Effective Pixels	768(H) x 494(V) 380K	752(H) x 582(V) 440K
Sync. System	Internal / External(Line Lock) : Auto Detect	
Horizontal Resolution	480 TV Lines	
S/N Ratio	More than 48dB (AGC Off)	
Lens	30x Zoom Video AF (F1.6(W), F3.2(T) f=3.3~99.0mm)	
Min.Illumination	Day Mode: 1Lux (30 IRE) / Night Mode: 0.5Lux (30 IRE) DSS (128FLD) Mode: 0.001Lux (30 IRE)	
Signal Output	1Vp-p Composite Output with 75Ω Terminated	
White Balance	Auto/SwB/lwB/OwB/PwB	
Day & Night (ICR)	Auto/Day/Night	
Supplied Voltage	DC 12V (9V~15V), Max. 4.56 W/380mA	
Dimensions	65 x 62 x 122 mm	
Weight	Approx. 330g	