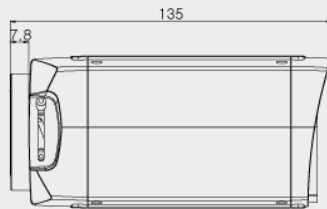
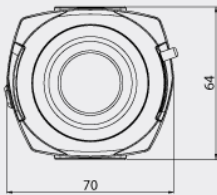
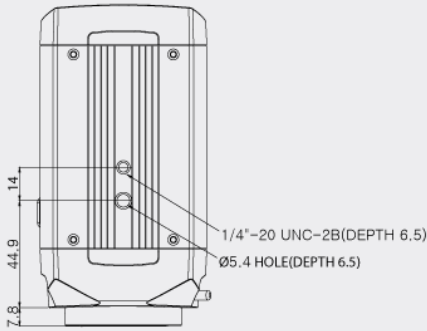




Features

- 1/3 inch Double Scan CCD (960H)
- Ultra High Resolution : 700 TV Lines
- TDN(ICR), DSS
- 16x Digital Zoom (On/Off)
- Min. Illumination : 0.000007Lux (DSS On, B/W)
- WDR (Max. 54dB)
- OSD, Privacy Zone, Motion Detection
- Digital Slow Shutter (off ~512x)
- Stabilizer, D-Effect, Eclipse Function
- External control for Back-focal length
- RS-485(Pelco-D) Interface
- 12VDC

DIMENSIONS



SPECIFICATIONS

Model	BFF-40F	BFF-41F
Signal System	NTSC	PAL
Scanning System	2:1 Interlace	
Scanning Frequency (H)/(V)	15.734 KHz/59.94 Hz	15.625 KHz/50 Hz
Image Sensor	1/3 Inch Double Scan CCD (960H)	
Total Pixels	1028(H) x 508(V) 520K	1028(H) x 596(V) 610K
Effective Pixels	976(H) x 494(V) 480K	976(H) x 582(V) 570K
Horizontal Resolution	700 TV Lines	
Video Output Level	1.0V p-p (75Ω, Composite)	
S/N Ratio	More than 50dB(AGC Off)	
Lens Mount	CS Mount	
Digital Zoom	16x	
Digital Slow Shutter	Off / ~ 512x FLD	
Day & Night Type	Electronic Sensitivity-up (DSS), ICR(AGC type)	
Min.Illumination	0.1Lux(Color), 0.0003Lux(Color, DSS On), 0.01Lux(B/W, ICR On), 0.000007Lux (DSS On, B/W), F1.2, 20IRE	
WDR	Max. 54dB	
OSD	16 Languages (English, Korean, Simplified Chinese, Traditional Chinese, Japanese, Spanish, French, Italian, German, Polish, Portuguese, Czech, Turkish, Russian, Hungarian, Greek)	
White Balance	ATW/ PUSH/ USER1/ USER2/ ANTI CR/ MANUAL/ PUSH LOCK	
AGC	0~20	
DNR	Off / 2D / 3D	
Motion Detection	On / Off (4 Programmable Zone)	
Privacy Zone	On / Off (15 Programmable Zone)	
D-Effect	Mirror(H/V/Rotate), Freeze, Positive/Negative	
Eclipse	On/Off	
Stabilizer	On/Off	
Operating Temp. / Humidity	-10℃ ~ +50℃ / 30% ~ 80% RH	
Electronic Shutter Speed	1/60~1/100,000 Sec.	1/50~1/10,000sec.
Supplied Voltage	12VDC (-10%, +20%)	
Power Consumption	Max. 3W / 250mA	
Dimensions(WxHxD)	70(W) x 64(H) x 135(D) mm	
Weight	Approx. 335g	