

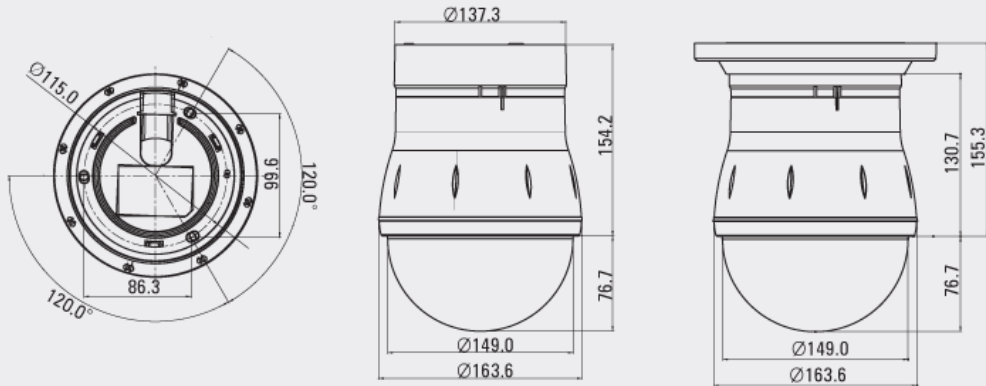


Features

- 1/4 Inch IT CCD, 580TVL
- Built-in Auto Focus/Auto Iris
- Max. 270x Zoom (27x Optical/10x Digital)
- Electronic Sensitivity-up (DSS), TDN(ICR), OSD
- Pan rotation range endless 360°
- Tilt rotation range 0° to 90°
- Pan/Tilt maximum rotating speed is 360°/sec
- Auto parking functions
- Auto-Flip function
- Privacy masking function
- RS-485 protocol compatible



DIMENSIONS



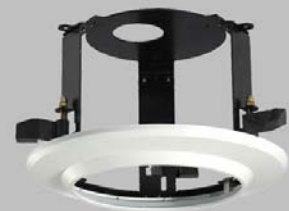
Optional Accessories



SWB1000 : Wall mount bracket



SPB1000 : Pendant mount bracket



SIB1000 : In-ceiling mount bracket

Model	SBN-22Z27F	SBN-23Z27F
Signal System	NTSC	PAL
Scanning System	2:1 Interlace	
Scanning Freq. (H)	15.734 kHz	15.625kHz
Scanning Freq. (V)	59.94Hz	50Hz
Sync. System	Internal / Line-Lock	
Image Sensor	1/4" IT CCD	
Effective Pixel No. (V)	768(H) x 494(V) 380K	752(H) x 582(V) 440K
H.Resolution	580 TV Lines	
Min.Illumination	0.5Lux (Color), 0.1Lux (B/W), 0.0005Lux(B/W, DSS On) 30 IRE	
Day & Night Type	Electronic sensitivity-up (DSS), TDN(ICR)	
Video Output	1.0Vp-p (75Ω, composite)	
Video S/N Ratio	More than 50dB (AGC Off)	
Communication	RS-485, Controllable up to 255 cameras simultaneously	
Camera ID / Protocol	256 IDs/Pelco-D, Pelco-P, Samsung, Panasonic selectable	
Lens		
Zoom Ratio	270x Zoom (27x Optical Zoom, 10x Digital Zoom)	
Focal Length	3.6 (W) mm ~ 97.2 (T) mm	
Aperture Range	F1.6 (W) ~ F3.9 (T)	
Pan and Tilt		
Panning/Tilting Range	Pan: 360° endless rotation; Tilt: 90°	
Panning/Tilting Speed	Manual: 1° ~ 360°/sec; Preset: 360°/sec; Swing: 1° ~ 180°/sec	
Panning/Tilting Accuracy	±0.25°	
Preset	127 position with Labels	
Swing / Pattern / Group	8 Swings/4 Patterns (about 5min/Pattern)/8 groups (max. 20)	
Main Functions		
OSD Menu	ON/OFF (English)	
Focus Control	Auto/Manual/Semi-Auto	
Color / BW Switching	Supplied	
Electronic Shutter	1/60~1/10,000sec	1/50~1/10,000sec
Iris / Gain Control	Auto/Manua(F1.6~F3.9); Auto/Manual(-3dB~28dB)	
Brightness Control	Adjustable (0~31)	
White Balance	Auto/Manual (Red, Blue Gain Adjustable)	
BLC / Flickerless	ON/OFF	
Negative / Freeze Mode	ON/OFF	
Reverse / Mirror	ON/OFF (180° rotation); ON/OFF	
Power-up Action	Resume the last action executed (Preset, Swing, Group)	
Auto Parking / Flip	ON/OFF; ON/OFF (rotates dome 180° at bottom of tilt travel)	
Privacy Zone	ON/OFF(8 zone settings)	
Alarm I/O	4 port coupler inputs, 2 relay outputs	
Image Setup	Global / Local (setting WB & AE)	
Electrical & General		
Power	AC 24V / 2A	
Fuse	48VA	
Dimensions (approx.)	Dome: 149(Φ); Housing: 163.6(Φ) x 230.9(H) mm (without decorative bottom ring)	
Weight (net)	Approx. [Main Body] 2.5kg, [Wall Mount] 768g, [Pendant Mount] 880g, [In-Ceiling] 984g	
Material	Aluminum	