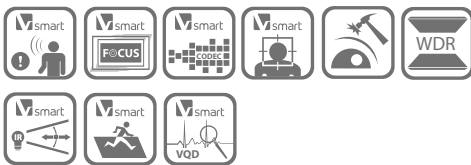


DP-12CD4625FWD-IZ(H)(S)

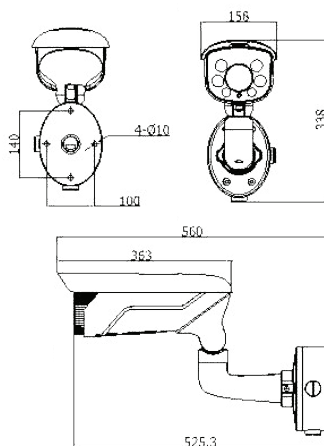
2MP Vandal-proof IR Bullet Network Camera



Key features

- Up to 1920 x 1200 high resolution
- Full HD1080p video
- Smart Codec
- 120dB WDR, 3D DNR
- Triple streams
- On-board storage, up to 64GB
- Smart Focus: Motorized VF lens
- Smart Facial Detection
- Intrusion Detection
- Built-in heater optional (-H)
- Audio/Alarm IO optional (-S)
- 8~32mm Motorized VF lens optional
- IP67 & Vandal-proof protection

Dimensions



Available models

- * -S: 1-ch audio I/O, 1-ch alarm I/O, 1-ch RS-485 interface
- * -H: Smart Heater

DP-12CD4625FWD-IZ(H)(S)	
Camera	
Image sensor	1/2.8" Progressive Scan CMOS
Min. illumination	0.01 Lux @(F1.2,AGC ON), 0 Lux with IR 0.014 Lux @(F1.4,AGC ON), 0 Lux with IR
Shutter time	1s ~ 1/100,000s
Slow shutter	Yes
Lens	2.8-12mm @ F1.4 Motorized VF lens 8-32mm @ F1.4 Motorized VF lens optional
Auto iris	DC drive
Day & night	IR cut filter with auto switch
Digital noise reduction	3D DNR
Wide dynamic range	120dB
Compression standard	
Video compression	H.264/ MJPEG
H.264 codec profile	Baseline Profile / Main Profile / High Profile
Video bit rate	32 Kbps ~ 16 Mbps
Audio compression	G.711/G.722.1/G.726/MP2L2
Audio bit rate	64Kbps(G.711) / 16Kbps(G.722.1) / 16Kbps(G.726) / 32-128Kbps(MP2L2)
Image	
Max. resolution	1920 × 1080
Frame rate	50Hz: 50fps(1920 × 1080)/(1280 × 960)/(1280 × 720) 60Hz: 60fps(1920 × 1080)/(1280 × 960)/(1280 × 720)
3rd stream	Independent with Main Stream and Sub Stream, up to 50Hz: 25fps (1920 × 1080) 60Hz: 30fps (1920 × 1080)
BLC	Support, zone optional
Defog	Support
Day / Night Switch	Auto/Schedule/Triggered by Alarm In
Picture overlay	128x128 24bit BMP format overlay, zone optional
ROI	Support
Network	
Network storage	Micro SD/SDHC/SDXC card with ANR (up to 64G), NAS (Support NFS, SMB/CIFS)
Alarm trigger	Line crossing detection, intrusion detection, scene change detection, audio exception detection, motion detection, dynamic analysis, tampering alarm, network disconnect, IP address conflict, Storage exception
Protocols	TCP/IP, ICMP, HTTP, HTTPS, FTP, DHCP, DNS, DDNS, RTP, RTSP, RTCP, PPPoE, NTP, UPnP, SMTP, SNMP, IGMP, 802.1X, QoS, IPv6, Bonjour
Security	One-key recovery, flash-prevention, three streams, heartbeat, mirror, password protection, video mask, Watermark, IP address filtering, Anonymous access
System compatibility	ONVIF, PSIA, CGI, ISAPI
General	
Operating conditions	-30 °C – 60 °C Humidity 95% or less (non-condensing) -H: -40 °C – 60 °C
Power supply	24 V AC ± 10%, High PoE (802.3at)
Impact Protection	IEC600068-2-75Eh, 50J; EN50102, up to IK10
Power consumption	24W MAX
IR range	Up to 50m (2.8-12mm) /150m (8-32mm)
Ingress protection	IP66
Dimensions	158×338×560mm
Weight	6200g