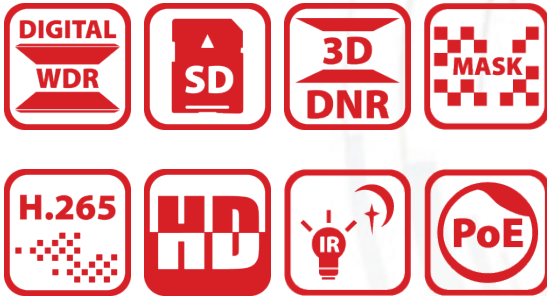


### DP-22PT3306IZ -DE3(2mm) PanoVu Mini Series IR Network PTZ Camera



#### Overview

Dunlop DS-22PT3306IZ-DE3(2mm) PanoVu Mini Series IR Network PTZ Camera can be widely used in multiple indoor scenes such as the store, classroom, office hall, hotel lobby, and airport lobby, etc.

#### Functions

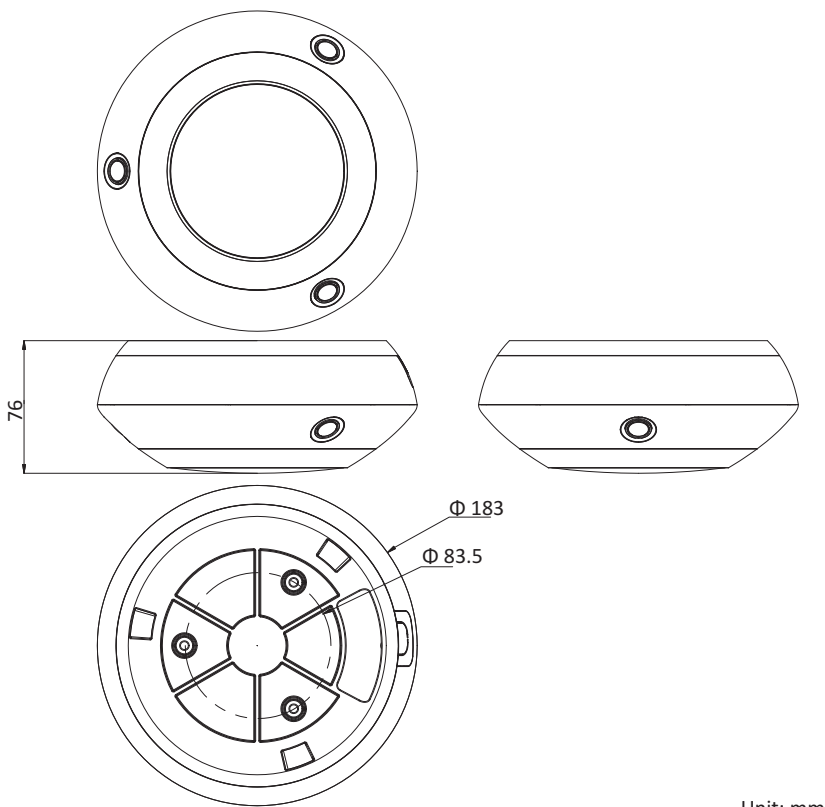
- Three 1/2.8" progressive scan CMOS
- Up to 3-ch 1920 × 1080@30fps resolution
- Min. illumination:  
Color: 0.05 Lux @(F2.0, AGC ON)  
B/W: 0.01 Lux @(F2.0, AGC ON)  
0 Lux with IR
- Horizontal FOV: 128.5° × 3  
Vertical FOV: 75.7°
- Up to 10 m IR radius

## Specification

Camera	
Image Sensor	Three 1/2.8" progressive scan CMOS
Min. Illumination	Color: 0.05 Lux @(F2.0, AGC ON) B/W: 0.01 Lux @(F2.0, AGC ON) 0 Lux with IR
White Balance	Auto/Manual/ATW (Auto-Tracking White Balance)/Indoor/Outdoor/Fluorescent Lamp/Sodium Lamp
Shutter Time	1/1 s to 1/30,000 s
Day & Night	IR Cut Filter
Focal Length	2 mm
Aperture Range	F2.0
FOV	Horizontal field of view: 128.5° × 3 Vertical field of view: 75.7°
Resolution (Sub-stream enabled)	Main stream: 50 Hz: 20 fps (1920 × 1080, 1280 × 960, 1280 × 720) 60 Hz: 20 fps (1920 × 1080, 1280 × 960, 1280 × 720) Sub-stream: 50 Hz: 20 fps (704 × 576, 640 × 480, 352 × 288) 60 Hz: 20 fps (704 × 480, 640 × 480, 352 × 240)
Resolution (Sub-stream not enabled)	Main stream: 50 Hz: 25 fps (1920 × 1080, 1280 × 960, 1280 × 720, 704 × 576, 640 × 480, 352 × 288) 60 Hz: 30 fps (1920 × 1080, 1280 × 960, 1280 × 720, 704 × 480, 640 × 480, 352 × 240)
Video Compression (Sub-stream enabled)	Main stream: H.265/H.264 Sub-stream: H.265/H.264/MJPEG (MJPEG is only supported by channel 1) H.264 with Main Profile/High Profile, H.265 with Main Profile
Video Compression (Sub-stream not enabled)	Main stream: H.265/H.264/MJPEG (MJPEG is only supported by channel 1) H.264 with Main Profile/High Profile, H.265 with Main Profile
Audio Compression	G.711alaw/G.711ulaw/G.722.1/G.726/MP2L2
IR Radius	10 m
Smart Coding	ROI, SVC
Smart Record	ANR (Automatic Network Replenishment)
Basic Event Detection	Motion Detection, Video Tampering Detection, Exception
Smart Event Detection	Audio Exception Detection, Intrusion Detection, Line Crossing Detection
Privacy Mask	4 × 3 programmable privacy masks
Smart Image Enhancement	Digital WDR/HLC/BLC/3D DNR/Defog/Regional Exposure
Network	
Network Storage	Built-in memory card slot, support Micro SD/SDHC/SDXC, up to 256 GB
Protocols	IPv4/IPv6, HTTP, HTTPS, 802.1x, Qos, FTP, SMTP, UPnP, SNMP, DNS, DDNS, NTP, RTSP, RTCP, RTP, TCP/IP, DHCP, PPPoE, Bonjour
API	Open-ended, support ONVIF, ISAPI, and CGI, support HIKVISION SDK and Third-Party Management Platform
User/Host	Up to 32 users 3 levels: Administrator, Operator and User
Security Measures	User authentication (ID and PW), Host authentication (MAC address); HTTPS encryption; IEEE 802.1x port-based network access control; IP address filtering
Client	iVMS-4200, iVMS-4500, iVMS-5200, Hik-Connect
Web Browser	IE8 to 11, Chrome 31.0 to 44, Firefox 30.0 to 51
Interface	
Network Interface	1 RJ45 10 M/100 M Ethernet
Audio Interface	1-ch audio input and 1-ch audio output
General	
Power	12 VDC & PoE+ (802.3 at, class 4) Max.20 W (Max. 6 W for IR)

Working Temperature	-10°C to 50°C (14°F to 122°F)
Working Humidity	≤ 90%
Protection Level	IP66, TVS 2000V Lightning Protection, Surge Protection and Voltage Transient Protection
Material	PC & Aluminum alloy
Dimensions	Φ 183 mm × 76 mm (Φ 7.20" × 2.99")
Weight	Approx. 0.68 kg (1.50 lb)

## Dimensions



Unit: mm