

DynaGuard™ Machine Vision Camera



MVC Series

DynaGuard MVC series, utilizing the latest image sensor and DSP, features with 6 Megapixel @ 30 fps/1080p @ 120 fps streaming capability, and supports up to 8M(4K Ultra HD) Megapixel resolution. This Machine Vision Camera embeds with extra ARM CPU which realizes camera side Video Analytics features and could lower the total cost by removing the PC from the system structure. Moreover, open API commands and modulized software features allow partners easier integrating or developing the advanced features/applications into their own software.

Moreover, users could access the cameras via every kind of browsers, like IE, Chrome, Firefox, and Safari. All features could be conveniently set up via web interface through PC, NB, Pad, and Phones. With built-in Video Analytics features, partners could ship out the equipment in a short time. Dynacolor also provides full customization service and development video processing algorithms based on the demand. With simplified user's experience and various image processing algorithms, MVC series will be very helpful on reducing development time and cost to equipment manufacturers.

Advanced Functions

- Full HD or 6 Megapixels Resolution Support
- Up to 1080p@120fps/3072 x 2048@30fps Support
- H.264 SVC/High/Main/Baseline Profile & MJPEG Support
- Waterproof Industrial Connectors
- Powered by PoE or DC12V
- Digital Input x 1 & Output x1 Support
- RS-485 /RS-232* Support
- 4 Way Mounting Support
- 90° Lens Rotation Support
- Supporting Light Sources*

Video Analytics Features

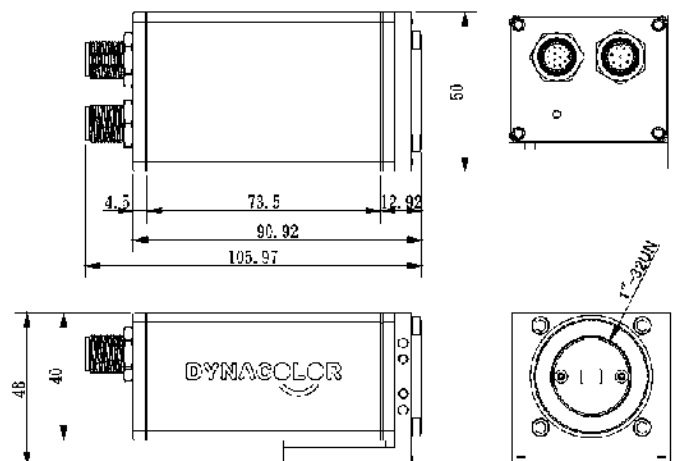
- Single Spot Positioning
- Multiple Unit Group Positioning
- 1D Barcode Scanning
- 2D Barcode Scanning

* as option feature

Browser Based Setting

- IE/Chrome/FireFox/Safari Support
- ActiveX or APP Free
- Capable to set MVC in
Windows PC&NB
iOS/Android/ Windows Pad&Phone

Dimensions



DynaGuard™ Machine Vision Camera

Product		Machine Vision Camera	
Overall			
Model	MVC-02	MVC-06	
Effective Pixels	1920(H)x1080(V), 2M	3072(H) x 2048(V), 6M	
White Balance	Manual / AWB / ATW		
Shutter Speed	1 ~ 1 / 10000 sec		
Network			
Interface	RJ-45, 10 / 100 / 1000 Mbps Ethernet		
Video Compression	MJPEG / H.264 Baseline / Main Profile / High Profile / SVC		
Video Streaming	Quad Streams		
Frame Rate	Up to 1080P @ 120 fps	Up to 3072 x 2048 @ 30 fps	
Protocol	IPv4/v6, TCP/IP, UDP, RTP, RTSP, HTTP, HTTPS, ICMP, FTP, SMTP, DHCP, PPPoE, UPnP, IGMP, SNMP, QoS, ONVIF		
Security	HTTPS / IP Filter / IEEE 802.1x		
Alarm I/O	1 Set, 5V 10kΩ Pull Up / 1 Set, Photo Relay Output 300V DC/AC		
Event Notification	HTTP / FTP / SMTP		
Web Application	IE 6.0 or Later, Chrome, Firefox, Safari, up to 5 Users		
Mechanical			
Lens Mounting	C Mount		
Connectors	Network	RJ-45, 10 / 100 / 1000 Mbps Ethernet	
	Alarm	Digital Input x 1/Digital Output x 1	
	Power	RJ-45 or Stereo Jack	
	Analog Video	BNC Out	
	RS-485, *RS-232	Full Duplex x 1 or Half Duplex x 2	
General			
Operating Temp	-10 ~ 50°C		
Humidity	10% ~ 90%, No Condensation		
Unit Dimension	125 x 82 x 52 mm		
Weight	330 g		
Power	PoE & DC 12V		
Accessories			
I/O Board			
Power	Adapter, 12V, 1A		
I/O Interface	RS-485 / RS-232 Interface		
Light Source			
Coaxial Light	54 x 45 x 38 mm, radius at 22.5 mm		
Flat Light	110 x 63 x 21 mm, lighting area: 83 x 61 mm		
	123 x 110 x 21 mm, lighting area: 83 x 121 mm		
Ring Light	109 x 80 x 90 mm, ø 87 / ø 55		
Flat Light	110 x 63 x 21 mm, lighting area: 83 x 61 mm		
	123 x 110 x 21 mm, lighting area: 83 x 121 mm		
Ring Light	109 x 80 x 90 mm, ø 87 / ø 55		

Product specification and availability subject to change without notice

Certain product names mentioned herein may be trade names and / or registered trademarks of their companies