

## GV-BX12201 12MP H.264 Low Lux WDR D/N Box IP Camera



- 1/1.7" progressive scan CMOS
- Dual streams from H.264 or MJPEG
- Up to 15 fps at 4000 x 3000, 30 fps at 3840 x 2160
- Varifocal megapixel lens
- Built-in / external microphone
- Two-way audio
- One sensor input and alarm output
- TV-out support
- Mini USB slot for WiFi Adapter
- DC 12V / 24V AC / PoE (IEEE 802.3af)
- Built-in micro SD card slot (SD/SDHC/SDXC/UHS-I) for local storage
- Removable IR-cut filter for Day / Night function
- Wide Dynamic Range (WDR)
- Low Lux Enhancement
- 3D noise reduction
- Smart Streaming
- Defog
- Motion detection
- Tampering alarm
- Privacy mask
- IP address filtering
- Supports iPhone, iPad, Android & 3GPP
- 31 languages on Web interface
- ONVIF (Profile S) conformant
- Recording assigned by GV-Edge Recording Manager (Windows, Mac version)

\* No Memory card slot & local storage function for Argentina.

\* Smart streaming requires either GV-NVR V8.7.0.0 or GV-VMS V16.10.0.0.

### Introduction

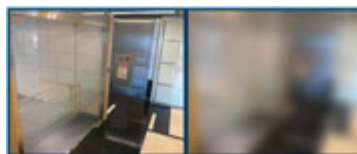
GV-BX12201 is a dual-stream, day / night indoor IP camera containing a varifocal lens. The camera is equipped with a progressive scan CMOS image sensor. It features a 12 MP resolution, and the increased pixel density allows the camera to capture scenes of greater details.

### Active Tampering Alarm

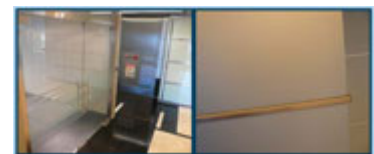
Tampered



Focus Change

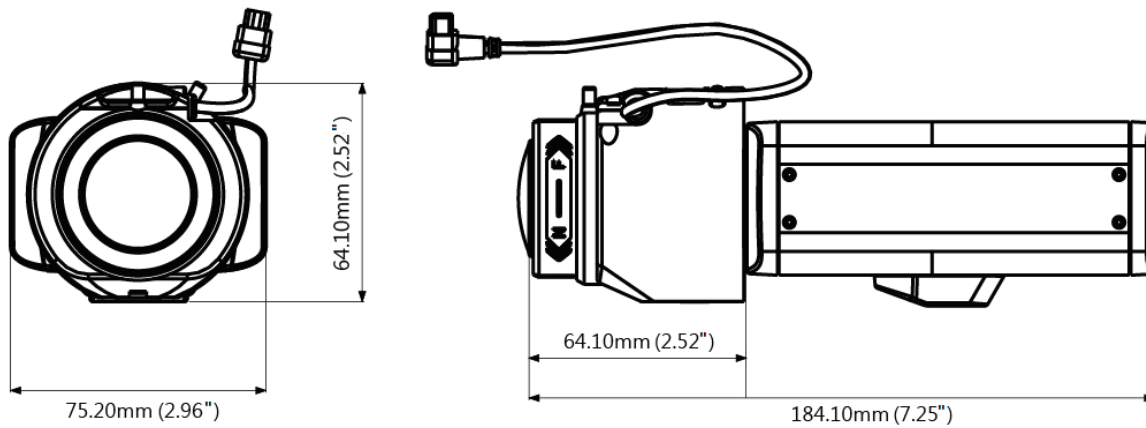


Camera Shift

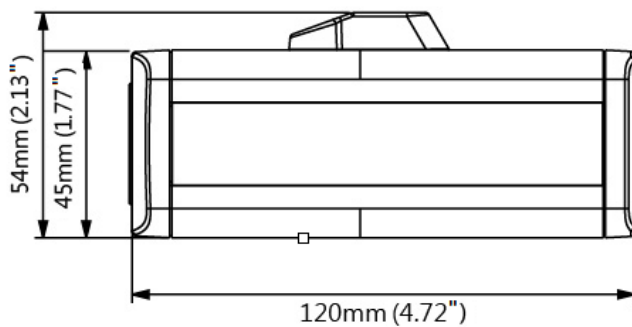


## Dimensions

### With Lens



### Without Lens



## Specifications

| PC Requirements      |  |          |
|----------------------|--|----------|
| CPU                  | Intel Core i5-4670, 3.40 GHz   |          |
| Memory               | DDR3 8 GB RAM  |          |
| On Board Graphics    | Intel HD Graphics 4600 (Versions of driver from year 2014 or later required) |          |
| Camera               |  |          |
| Image Sensor         | 1/1.7" progressive scan CMOS   |          |
| Picture Elements     | 4000 (H) x 3000 (V)  |          |
| Minimum Illumination | Color  | 0.1 Lux  |
|                      | B/W  | 0.05 Lux |
|                      | IR ON  | 0 Lux    |
| Shutter Speed        | Automatic, Manual (1/30 ~ 1/16000 sec)                                       |          |
| White Balance        | Automatic, Manual (2800 ~ 8500K)   |          |
| Gain Control         | Automatic  |          |
| S/N Ratio            | 52 dB  |          |
| WDR                  | Yes  |          |
| Lens                 |  |          |
| Megapixel            | Yes  |          |
| Day/Night            | Yes (with removable IR-cut filter)   |          |
| Lens Type            | Varifocal  |          |
| Focal Length         | 4.1 ~ 9 mm   |          |
| Maximum Aperture     | F/1.6  |          |
| Mount                | CS Mount   |          |
| Image Format         | 1/1.8"   |          |
| Horizontal FOV       | 109° ~ 50°   |          |

|                            |               |  |
|----------------------------|---------------|--|
| Operation                  | Focus         | Manual (w/lock)  |
|                            | Zoom          | Manual (w/lock)  |
|                            | Iris          | DC drive   |
| Torque (Focus/Zoom screws) |               | Focus: 0.05 N.m<br>Zoom: 0.035 N.m   |
| <b>Operation</b>           |               |  |
| Video Compression          |               | H.264, MJPEG   |
| Video Streaming            |               | Dual streams from H.264 or MJPEG   |
| Frame Rate                 |               | 15 fps at 4000 x 3000 (60/50 Hz)<br>30 fps at 3840 x 2160 (60/50 Hz)<br>* The frame rate and performance may vary depending on the number of connections and data bitrates (different scenes).                 |
| Image Setting              |               | Brightness, Contrast, Saturation, Sharpness, Gamma, White Balance, Flicker-less, Image Orientation, Shutter Speed, D/N Sensitivity, Backlight Compensation, WDR, Defog, Denoise, Metering, Low Lux Enhancement |
| Audio Compression          |               | G.711, AAC (optional)  |
| Audio Support              |               | Two-Way Audio  |
| Sensor Input               |               | 1 input (Dry Contact)  |
| Alarm Output               |               | 1 Digital Output (200mA 5V DC)   |
| <b>Video Resolution</b>    |               |  |
| Main Stream                | 4:3           | 4000 x 3000 (Default), 2560 x 1920, 2048 x 1536, 1600 x 1200, 1280 x 960   |
|                            | 16:9          | 3840 x 2160, 1920 x 1080, 1280 x 720   |
|                            | 5:4           | 1280 x 1024  |
| Sub Stream                 | 4:3           | 1024 x 768 (Default), 640 x 480, 320 x 240   |
|                            | 16:9          | 1280 x 720, 640 x 360, 448 x 256   |
|                            | 5:4           | 1280 x 1024, 640 x 512, 320 x 256  |
| <b>Network</b>             |               |  |
| Interface                  |               | 10/100/1000 Ethernet   |
| Protocol                   |               | HTTP, HTTPS, TCP, UDP, SMTP, FTP, DHCP, NTP, UPnP, DynDNS, 3GPP/ISMA, RTSP, SNMP, QoS (DSCP), ONVIF (Profile S)  |
| Wireless LAN               |               | IEEE 802.11 b/g/n  |
| Antenna Type               |               | External   |
| Security                   |               | WEP, WPA-PSK (TKIP), WPA-PSK (AES), WPA2-PSK (TKIP), WPA2-PSK (AES)  |
| <b>Mechanical</b>          |               |  |
| Temperature Detector       |               | Yes  |
| Connectors                 | Power         | 2-pin terminal block (DC 12V, 1.25A), PoE  |
|                            | Ethernet      | RJ-45  |
|                            | Audio         | 1 In (Using the built-in microphone or externally connecting a microphone)<br>1 Out (Stereo phone jack, 3.5 mm / 0.14 in)  |
|                            | Digital I/O   | 3-pin terminal block, pitch 2.5 mm / 0.1 in  |
|                            | Auto Iris     | Yes (with varifocal lens)  |
|                            | Local Storage | Micro SD card slot (SDHC/SDXC/UHS-I, Class 10)<br>*UHS-II card type is not supported.  |
|                            | TV-Out        | BNC connector (640 x 480 resolution)   |
|                            | Mini USB      | GV-WiFi Adapter or USB hard drive  |
| LED Indicator              |               | 2 LEDs: Power, Status  |
| <b>General</b>             |               |  |
| Operating Temperature      |               | 0°C ~ 50°C / 32°F ~ 122°F  |
| Humidity                   |               | 10% to 90% (no condensation)   |
| Power Source               |               | 12V DC / 24V AC / PoE (IEEE 802.3af)   |
| Max. Power Consumption     |               | 6 W  |
| Dimensions (L X W X H)     |               | Without lens: 120 x 75.2 x 54 mm (4.72" x 2.96" x 2.13")<br>With lens: 184.1 x 75.2 x 64.1 mm (7.25" x 2.96" x 2.52")  |
| Weight                     |               | 545 g / 1.2 lb   |
| Regulatory                 |               | CE, FCC, RCM, LVD, RoHS compliant  |
| <b>Power over Ethernet</b> |               |  |
| PoE Standard               |               | PoE (IEEE 802.3af Class 3 Power over Ethernet / PD)  |
| PoE Power Supply Type      |               | End-Span   |
| PoE Power Output           |               | Per Port 48V DC, 350mA. Max. 15.4 watts  |
| <b>Web Interface</b>       |               |  |
| Installation Management    |               | Web-based configuration  |
| Maintenance                |               | Firmware upgrade through Web Browser or Utility  |

|                         |  |
|-------------------------|--|
| Access from Web Browser | Camera Live View, Video Recording, Change Video Quality, Bandwidth Control, Image Snapshot, Digital I/O control, Audio, Picture in Picture, Picture and Picture, Privacy Mask, Visual Automation, Tampering Alarm, Text Overlay, Digital PTZ   |
| Language                | Arabic / Bulgarian / Czech / Danish / Dutch / English / Finnish / French / German / Greek / Hebrew / Hungarian / Indonesian / Italian / Japanese / Lithuanian / Norwegian / Persian / Polish / Portuguese / Romanian / Russian / Serbian / Simplified Chinese / Slovakian / Slovenian / Spanish / Swedish / Thai / Traditional Chinese / Turkish |
| <b>Applications</b>     |  |
| Network Storage         | GV-DVR / NVR / VMS, GV-Backup Center, GV-Recording Server  |
| Smart Device Access     | GV-Eye for iOS and Android   |
| Live Viewing            | IE, mobile phone   |
| CMS Server support      | GV-Control Center, GV-Center V2, GV-Vital Sign Monitor   |

**Note:**

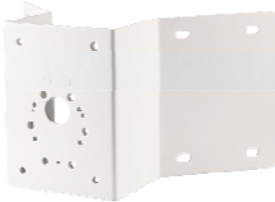
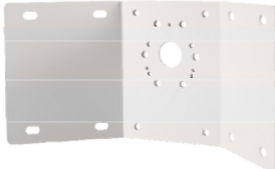


1. The signal range and data throughput may vary depending on the network conditions and environmental factors.
2. To connect a GV-WiFi Adapter, make sure it is connected before the camera is powered on.
3. Specifications are subject to change without notice.

**Packing List**

- |  |                     |
|--|---------------------|
| 1. Box Camera                              | 6. Camera Holder    |
| 2. Terminal Block                          | 7. Holder Screw x 2 |
| 3. Fixed Focal or Varifocal Megapixel Lens | 8. Power Adapter    |
| 4. Six Lens Rings                          | 9. Download Guide   |
| 5. Video Out Wire                          | 10. Warranty Card   |

**Note:** The power adapter can be excluded upon request.

**Accessories**

| Model No.     | Name                                 |  | Details  |
|---------------|--------------------------------------|--|--|
| GV-Mount300-1 | Convex Corner Adapter Kit            |                 | Dimensions: 238.6 x 409.5 mm (9.4" x 16.1")<br>Weight: 4.27 kg (9.41 lb)   |
| GV-Mount310-1 | Concave Corner Adapter Kit           |                 | Dimensions: 123.3 x 393.1 mm (4.9" x 15.5")<br>Weight: 2.96 kg (6.53 lb)   |
| GV-Mount400-1 | Pole Mount Bracket Kit (Ø 4" ~ 6")   |    | Dimensions:<br>Bracket: 241 x 161 mm (9.5" x 6.3")<br>Weight: 1.70 kg ( 3.75 lb)<br>Steel Strap Diameter: Ø 4" ~ 6"  |
| GV-Mount410-1 | Pole Mount Bracket Kit (Ø 6" ~ 7.5") |  | Dimensions:<br>Bracket: 241 x 161 mm (9.5" x 6.3")<br>Weight: 1.70 kg (3.75 lb)<br>Steel Strap Diameter: Ø 6" ~ 7.5" |

|   |                              |   |  |
|---|------------------------------|---|--|
| <p>GV-Housing103</p> <p>IP67 IK10</p>   | <p>Housing Box (with IR)</p> |    | <p>Dimensions: 404 x 128 x 257 mm<br/>(15.91 x 5.04 x 10.12")</p> <p>Weight: 7 kg ( 15.43 lb) (including Supporting Tube)</p> <p>Start-up Temperature: -20°C ~ 50°C (-4°F ~ 122°F)</p> <p>Operation Temperature: -30°C ~ 50°C (-22°F ~ 122°F)</p> <p>IR: 6 IR LEDs with up to 60 m (196.85ft) IR effective distance</p> <p>Power: DC 12V, 1A input</p> |
| <p>GV-PA191</p>   | <p>PoE Adapter</p>           |    | <p>Weight: 130 g / 0.29 lb</p> <p>Dimensions (H x W x D): 43 x 69 x 40 mm (1.69" x 2.72" x 1.57")</p>  |
| <p>GV-Relay V2</p>  | <p>GV-Relay V2</p>           |    | <p>The GV-Relay V2 is designed to expand the voltage load of GV IP devices. It provides 4 relay outputs, and each can be set as normally open (NO) or normally closed (NC) independently as per your requirement.</p>  |
| <p>GV-PoE Switch</p>  |                              | <p>The GV-PoE Switch is designed to provide power along with network connection for IP devices. The GV-PoE Switch is available in various models with different numbers and types of ports.</p> |  |
| <p>Power Adapter</p>  |                              | <p>Contact our sales representatives for the countries and areas supported.</p>   |  |
| <p><b>Note:</b> GV-Housing103 only works with GV-Mount300-1, GV-Mount310-1, GV-Mount400-1, GV-Mount410-1.</p> |                              |   |  |