

DS-2AE7164 series
E Series Analog IR Speed Dome



Key feature

IR function:

- 0 Lux minimum illumination
- Up to 100m IR distance
- IR light MTBF reaching up to 30,000 hours

System function:

- 1/3" high performance Sony CCD
- $\pm 0.1^\circ$ Preset Accuracy
- Self-adaptive to HIKVISION, Pelco-P/D protocol
- 3D intelligent positioning function
- Power-off memory function: restore PTZ & Lens status after reboot
- Built-in temperature sensor, display internal temperature
- IP66 standard (outdoor dome)
- Scheduled PTZ movement

Camera function:

- Auto focus, auto white balance, and auto/manual day & night switch
- Privacy masks programmable
- Support 3D DNR, DWDR and digital zoom

PTZ function:

- 360° endless pan range and -15°-90° tilt range
- 240°/s Pan Preset Speed and 200°/s Tilt Preset Speed
- 0.1°-160°/s Manual Pan Speed and 0.1°-120°/s Manual Tilt Speed
- 256 presets programmable; preset image freezing capability
- 8 patrols, up to 32 presets per patrol
- 4 patterns, with the total recording time not less than 10 minutes
- Proportional zoom function

- Park action: auto call up of PTZ movement, after a defined time of inactivity

Application Scenarios

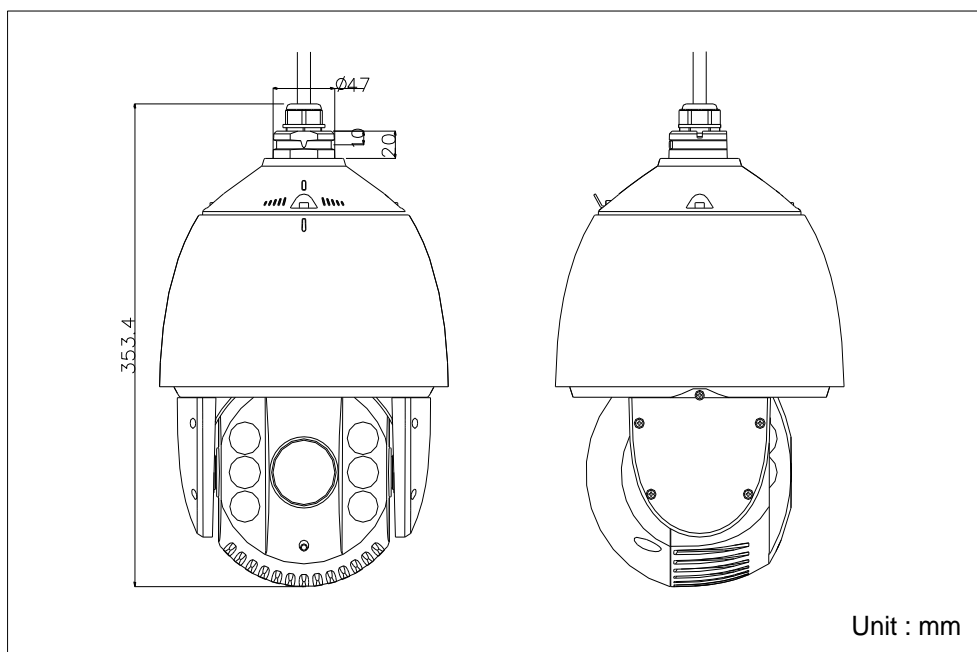
It can be widely applied to places with no lights or weak lights requiring wide-area and high-speed monitoring, such as rivers, forests, highways, railways, airports, ports, sentries, squares, parks, scenic sites, streets, stations, large venues, outside of residential areas, etc.

Specifications

| Parameter | | Model |
|-----------|-----------------------|--|
| | | DS-2AE7164-A (24VAC, Outdoor, PAL) DS-2AE7164N-A (24VAC, Outdoor, NTSC) DS-2AE7164-D (12VDC, Outdoor, PAL) DS-2AE7164N-D (12VDC, Outdoor, NTSC) |
| | | E Series Speed Dome |
| Camera | Image Sensor | 1/3" Sony CCD |
| | Effective Pixel | PAL: 976(H)×582(V) PAL: 976(H)×494(V) |
| | Horizontal Resolution | Color: 700 TVL B/W: 750 TVL |
| | Signal System | PAL/NTSC |
| | Min. illumination | 0.02Lux/(F1.6, AGC ON), 0.0008Lux/(F1.6, AGC ON, sensitivity×256) (color) 0.002Lux/(F1.6, AGC ON), 0.00008Lux/(F1.6, AGC ON, sensitivity×256)(B/W) 0 Lux with IR |
| | White Balance | Auto / One touch WB/ ATW / Indoor / Outdoor |
| | AGC | Auto / Manual |
| | S / N Ratio | ≥ 50dB |
| | DNR | High/Medium/Low/off |
| | WDR | 128x(On/Off/Auto) |
| | Shutter Time | PAL: 1-1/10,000s NTSC: 1-1/10,000s |
| | Day & Night | IR Cut Filter |
| | Digital Zoom | 16x |
| | Privacy Mask | 8 privacy masks programmable; a maximum of 8 zones can be masked simultaneously on the same video screen |
| | Focus Model | Auto / Semiautomatic / Manual |
| Lens | Focal Length | 4-92mm, 23X |
| | Zoom Speed | Approx.4.0s(Optical Wide-Tele) |
| | Angle of View | 57.58-23.12 degree(Wide-Tele) |
| | Min. Working Distance | 10-1000mm (Wide-Tele) |
| | Aperture Range | F1.6-F3.7 |
| Pan and | Pan Range | 360°endless |

| | | |
|--------------------------|--|--|
| Tilt | Pan Speed | Pan Manual Speed: 0.1°-160°/s, Pan Preset Speed: 240°/s |
| | Tilt Range | -15°-90° (Auto Flip) |
| | Tilt Speed | Tilt Manual Speed: 0.1°-120°/s, Tilt Preset Speed: 200°/s |
| | Proportional Zoom | Rotation speed can be adjusted automatically according to zoom multiples |
| | Number of Preset | 256 |
| | Patrol | 8 patrols, up to 32 presets per patrol |
| | Pattern | 4 patterns, with the total recording time not less than 10 minutes |
| | Power-off Memory | Support |
| | Park Action | Preset / Patrol / Pattern / Pan / Tilt / Auto / Random / Frame / Panorama scan |
| | PTZ Position Display | On / Off |
| | Compass | Support , the north can be set |
| Scheduled Task | Preset / Patrol / Pattern / Pan / Tilt / Auto / Random / Frame / Panorama scan | |
| Infrared | IR Range | 100m |
| | IR irradiation angle | Automatically adjusted, depending on the zoom ratio |
| Input/ Output | Monitor Output | 1.0V[p-p] / 75Ω, PAL or NTSC composite, BNC |
| General | Menu Language | English/Chinese |
| | RS-485 Protocols | HIKVISION, Pelco-P, Pelco-D, self-adaptive |
| | Power | 24 VAC(-A model); 12 VDC(-D model) Max.30W(IR LED On, Heater On) Max.24W(IR LED On) Max.15W(IR LED Off, Heater Off) |
| | Working Temperature / Humidity | -30 °C-65 °C(-22°F -149°F)(outdoor dome) 90% or less |
| | Protection Level | IP66 standard (outdoor dome) TVS 4,000V lightning protection, surge protection and voltage transient protection |
| | Mounting | Various mounting modes optional |
| | Dimensions | Φ245 ×399mm (Φ9.65" ×15.71") (Outdoor) |
| | Weight (approx.) | 5.5kg(12.13lbs) |
| | Mount Option (only suitable for outdoor dome) | Long-arm wall mount: DS-1601ZJ; Pendent mount: DS-1661ZJ(20cm) or DS-1662ZJ(50cm); Ceiling mount: DS-1663ZJ |

Dimensions



Order models

- DS-2AE7164-A, PAL, AC24V, outdoor
- DS-2AE7164N-A, NTSC, AC24V, outdoor
- DS-2AE7164-D, PAL, DC12V, outdoor
- DS-2AE7164N-D, NTSC, DC12V, outdoor

Accessories



DS-1601ZJ Long-arm wall mount bracket