

DS-2AF7264/7268-AW

High Definition IR Wiper PTZ Dome Camera



Key features

IR function:

- 0 Lux minimum illumination
- Up to 120m IR distance
- IR light MTBF reaching up to 30,000 hours

System function:

- SONY high performance CCD
- $\pm 0.1^\circ$ Preset Accuracy
- Self-adaptive to HIKVISION, Pelco-P/D protocol
- 3D intelligent positioning function
- Power-off memory function: restore PTZ & Lens status after reboot
- 3D DNR
- Built-in temperature sensor, with display of internal temperature
- IP66 standard
- RS-485 communication diagnosis capability
- Manchester code communication diagnosis capability
- Scheduled PTZ movement
- Password protection
- Camera title programmable
- Zone Scanning
- Support wiper

Camera function:

- Auto iris, auto focus, auto white balance, backlight compensation, WDR and auto/manual day & night switch
- Privacy masks programmable

PTZ function:

- 360° endless pan range and -2° - 90° tilt range

- 160°/s Pan Preset Speed and 120°/s Tilt Preset Speed
- 0.1°-160°/s Manual Pan Speed and 0.1°-120°/s Manual Tilt Speed
- 256 presets programmable; preset image freezing capability
- 8 patrols, up to 32 presets per patrol
- 4 patterns, with the total recording time not less than 10 minutes
- Proportional zoom function
- Park action: auto call up of PTZ movement, after a defined time of inactivity
- 2 alarm inputs and 2 alarm outputs(7 alarm inputs and 2 alarm outputs optional)

Application Scenarios

It can be widely applied to places with no lights or weak lights requiring wide-area and high-speed monitoring, such as rivers, forests, highways, railways, airports, ports, sentries, squares, parks, scenic sites, streets, stations, large venues, outside of residential areas, etc.

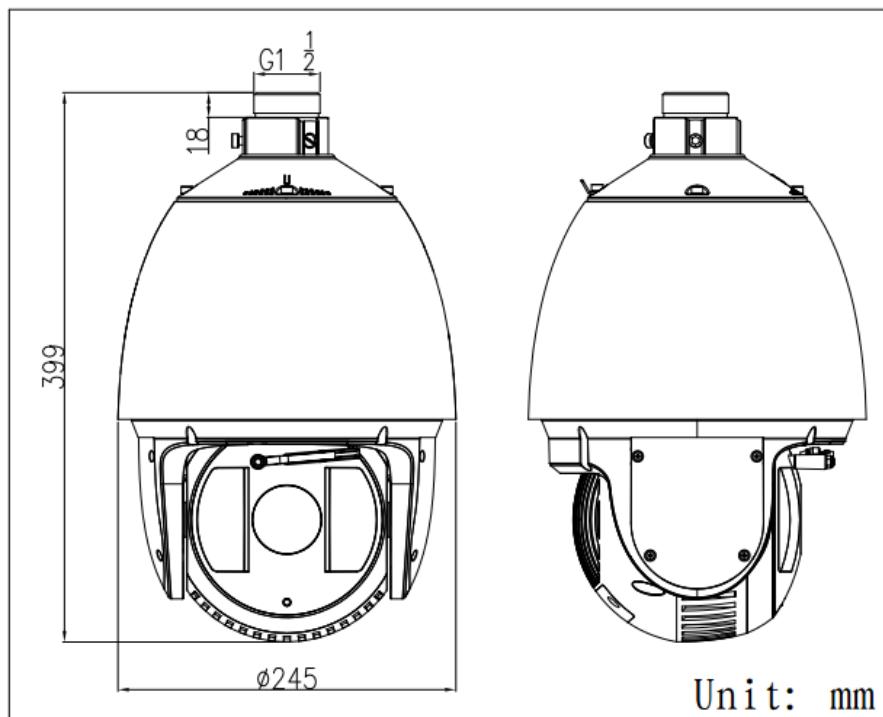
Specifications

Model		DS-2AF7264-AW(Outdoor)	DS-2AF7268-AW(Outdoor)
Parameter		High Definition IR Wiper PTZ Dome Camera	
Camera	Image Sensor	1/3" Sony Interline Transfer Exview HAD- II CCD	1/4" Interline Transfer CCD
	Effective Pixel	PAL:976(H)×582(V) NTSC:976(H)×494(V)	
	Horizontal Resolution	Color: 700 TVL B/W: 750 TVL	
	Signal System	PAL /NTSC	
	Min. Illumination	Color: 0.02Lux/(F1.6, AGC ON),0.0008Lux /(F1.6, AGC ON, IRE×256) B/W: 0.002Lux/(F1.6, AGC ON),0.00008Lux /(F1.6, AGC ON, IRE×256) 0 Lux with IR	Color: 0.1Lux/(F1.4, AGC ON),0.0008Lux /(F1.4, AGC ON, IRE×256) B/W: 0.01Lux/(F1.4, AGC ON), 0.00008Lux /(F1.4, AGC ON, IRE×256) 0 Lux with IR
	White Balance	Auto / One touch WB / ATW / Indoor / Outdoor	
	AGC	Auto / Manual	
	S / N Ratio	≥ 50dB	
	DNR	High/Medium/Low/off	
	BLC	On / Off	
	WDR	128x(On/Off)	
	Shutter Time	PAL: 1/3-1/10,000s NTSC: 1/4-1/10,000s	
	Day & Night	IR Cut Filter	
	Digital Zoom	16x	
Privacy Mask	8 privacy masks programmable; a maximum of 8 zones can be masked simultaneously on the same video screen		
Focus Mode	Auto / Semiautomatic / Manual		

Lens	Focal Length	4.0-92mm, 23X	3.3-119mm, 36X
	Zoom Speed	Approx.4.0s(Optical Wide-Tele)	Approx.6.0s(Optical Wide-Tele)
	Angle of View	57.58° -3.12° (Wide-Tele)	57.1° -1.7° (Wide-Tele)
	Min. Working Distance	10-1500mm (Wide-Tele)	10-1500mm (Wide-Tele)
	Aperture Range	F1.6 - F3.7	F1.4 – F4.2
	Wiper	Support	
Pan and Tilt	Pan Range	360° endless	
	Pan Speed	Pan Manual Speed: 0.1°-160°/s, Pan Preset Speed: 160°/s	
	Tilt Range	-2°-90° (Auto Flip)	
	Tilt Speed	Tilt Manual Speed: 0.1°-120°/s, Tilt Preset Speed: 120°/s	
	Proportional Zoom	Rotation speed can be adjusted automatically according to zoom multiples	
	Number of Preset	256	
	Patrol	8 patrols, up to 32 presets per patrol	
	Pattern	4 patterns, with the total recording time not less than 10 minutes	
	Power-off Memory	Support	
	Park Action	Preset / Patrol / Pattern / Pan scan / Tilt scan / Random scan / Frame scan / Panorama scan	
	PTZ Position Display	On / Off	
	Preset Freezing	Support	
	Password Protection	Support	
	Zone Scanning/Display	Scanning within programmed zone, display zone title	
	Camera Title	Programmable title display	
	Compass	Support , the north can be set	
	Scheduled Task	Preset / Patrol / Pattern / Pan scan / Tilt scan / Random scan / Frame scan / Panorama scan	
	RS-485 communication diagnosis	Support	
	Manchester code and connection failures diagnosis	Support	
	Infrared	IR distance	120m
IR Intensity		Automatically adjusted, depending on the zoom ratio	

Alarm	Alarm Input	2(7 alarm inputs optional)
	Alarm Output	2 relay outputs, alarm response actions configurable
	Alarm Action	Preset / Patrol / Pattern / Pan scan / Tilt scan / Random scan / Frame scan / Panorama scan / Relay output
Input/ Output	Monitor Output	1.0V[p-p] / 75Ω, NTSC (or PAL) composite, BNC
General	Menu Language	English/Chinese
	RS-485 Protocols	HIKVISION, Pelco-P, Pelco-D, self-adaptive
	Power	24VAC Max. 50W(IR LED On, Heater On), Max. 35W(IR LED Off)
	Working Temperature / Humidity	-30 °C -65 °C (-22°F -149°F)(outdoor dome) 90% or less
	Protection Level	IP66 standard (outdoor dome) TVS 4,000V lightning protection, surge protection and voltage transient protection
	Mounting	Various mounting modes optional
	Dimensions	Φ245 ×399mm (Φ9.65" ×15.71") (Outdoor)
	Weight (approx.)	5.5kg(12.13lbs)
	Mount Option (only suitable for outdoor dome)	Long-arm wall mount: DS-1614ZJ; Corner mount: DS-1633ZJ; Pole Mount: DS-1622ZJ; Power box mount: DS-1634ZJ

Dimensions



Order models

- DS-2AF7264-AW, 24VAC, outdoor, wiper
- DS-2AF7268-AW, 24VAC, outdoor, wiper

Accessories



DS-1614ZJ Long-arm Wall Mount Bracket