

## DS-2AF7264/7268 Series

High definition IR Speed Dome



### Key features

#### IR function:

- 0 Lux minimum illumination
- Enhanced IR LEDs, up to 150m IR distance
- IR light MTBF reaching up to 30,000 hours

#### System function:

- SONY high performance CCD
- Smart tracking
- $\pm 0.1^\circ$  Preset Accuracy
- Self-adaptive to HIKVISION, Pelco-P/D protocol
- 3D intelligent positioning function
- Power-off memory function: restore PTZ & Lens status after reboot
- 3D DNR
- Built-in temperature sensor, with display of internal temperature
- IP66 standard
- RS-485 communication diagnosis capability
- Manchester code communication diagnosis capability
- Scheduled PTZ movement
- Password protection
- Camera title programmable
- Zone Scanning

#### Camera function:

- Auto iris, auto focus, auto white balance, backlight compensation, WDR and auto/manual day & night switch
- Privacy masks programmable

#### PTZ function:

- 360° endless pan range and  $-2^\circ$ - $90^\circ$  tilt range

- 240°/s Pan Preset Speed and 200°/s Tilt Preset Speed
- 0.1°-160°/s Manual Pan Speed and 0.1°-120°/s Manual Tilt Speed
- 256 presets programmable; preset image freezing capability
- 8 patrols, up to 32 presets per patrol
- 4 patterns, with the total recording time not less than 10 minutes
- Proportional zoom function
- Park action: auto call up of PTZ movement, after a defined time of inactivity
- 2 alarm inputs and 2 alarm outputs(7 alarm inputs and 2 alarm outputs optional)

## Application Scenarios

It can be widely applied to places with no lights or weak lights requiring wide-area and high-speed monitoring, such as rivers, forests, highways, railways, airports, ports, sentries, squares, parks, scenic sites, streets, stations, large venues, outside of residential areas, etc.

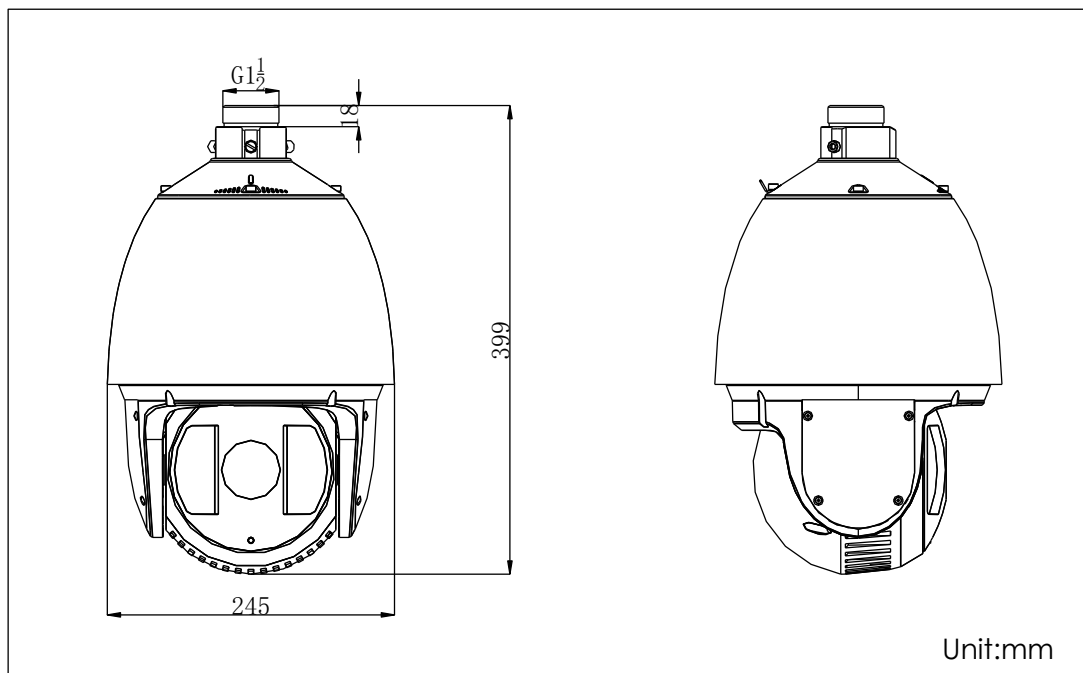
## Specifications

Parameter		Model	
		DS-2AF7264-A(Outdoor) DS-2AF7264N-A(Outdoor)	DS-2AF7268-A(Outdoor) DS-2AF7268N-A(Outdoor)
<b>IR High TVL High Speed Dome</b>			
Camera	Image Sensor	1/3" Sony Interline Transfer Exview HAD- II CCD	1/4" Interline Transfer CCD
	Effective Pixel	PAL:976(H)×582(V) NTSC:976(H)×494(V)	
	Horizontal Resolution	Color: 700 TVL B/W: 750 TVL	
	Signal System	PAL /NTSC	
	Min. Illumination	Color: 0.02Lux/(F1.6, AGC ON),0.0008Lux /(F1.6, AGC ON, IRE×256) B/W: 0.002Lux/(F1.6, AGC ON),0.00008Lux /(F1.6, AGC ON, IRE×256) 0 Lux with IR	
	White Balance	Auto / One touch WB / ATW / Indoor / Outdoor	
	AGC	Auto / Manual	
	S / N Ratio	≥ 50dB	
	DNR	High/Medium/Low/off	
	BLC	On / Off	
	WDR	128x(On/Off)	
	Shutter Time	PAL: 1/3-1/10,000s NTSC: 1/4-1/10,000s	
	Day & Night	IR Cut Filter	
	Digital Zoom	16x	
	Privacy Mask	8 privacy masks programmable; a maximum of 8 zones can be masked simultaneously on the same video screen	
Focus Mode	Auto / Semiautomatic / Manual		

<b>Lens</b>	Focal Length	4.0-92mm, 23X	3.3-119mm, 36X
	Zoom Speed	Approx.4.0s(Optical Wide-Tele)	Approx.6.0s(Optical Wide-Tele)
	Angle of View	57.58° -3.12° (Wide-Tele)	57.1° -1.7° (Wide-Tele)
	Min. Working Distance	10-1500mm (Wide-Tele)	10-1500mm (Wide-Tele)
	Aperture Range	F1.6 - F3.7	F1.4 – F4.2
<b>Pan and Tilt</b>	Pan Range	360° endless	
	Pan Speed	Pan Manual Speed: 0.1° -160°/s, Pan Preset Speed: 240°/s	
	Tilt Range	-2°-90°(Auto Flip)	
	Tilt Speed	Tilt Manual Speed: 0.1°-120°/s, Tilt Preset Speed: 200°/s	
	Proportional Zoom	Rotation speed can be adjusted automatically according to zoom multiples	
	Number of Preset	256	
	Patrol	8 patrols, up to 32 presets per patrol	
	Pattern	4 patterns, with the total recording time not less than 10 minutes	
	Power-off Memory	Support	
	Park Action	Preset / Patrol / Pattern / Pan scan / Tilt scan / Random scan / Frame scan / Panorama scan	
	PTZ Position Display	On / Off	
	Preset Freezing	Support	
	Password Protection	Support	
	Zone Scanning/Display	Scanning within programmed zone, display zone title	
	Camera Title	Programmable title display	
	Compass	Support , the north can be set	
	Scheduled Task	Preset / Patrol / Pattern / Pan scan / Tilt scan / Random scan / Frame scan / Panorama scan	
	RS-485 communication diagnosis	Support	
	Manchester code and connection failures diagnosis	Support	
	Smart tracking	Support	
<b>Infrared</b>	IR distance	150m	
	IR Intensity	Automatically adjusted, depending on the zoom ratio	

<b>Alarm</b>	Alarm Input	2(7 alarm inputs optional)
	Alarm Output	2 relay outputs, alarm response actions configurable
	Alarm Action	Preset / Patrol / Pattern / Pan scan / Tilt scan / Random scan / Frame scan / Panorama scan / Relay output
<b>Input/ Output</b>	Monitor Output	1.0V[p-p] / 75Ω, NTSC (or PAL) composite, BNC
<b>General</b>	Menu Language	English/Chinese
	RS-485 Protocols	HIKVISION, Pelco-P, Pelco-D, self-adaptive
	Power	24VAC (only for -A model); 12VDC(only for -D model) Max. 50W
	Working Temperature / Humidity	-30 °C-65 °C (-22°F -149°F)(outdoor dome) 90% or less
	Protection Level	IP66 standard (outdoor dome) TVS 4,000V lightning protection, surge protection and voltage transient protection
	Mounting	Various mounting modes optional
	Dimensions	Φ245 ×399mm (Φ9.65" ×15.71" ) (Outdoor)
	Weight (approx.)	5.5kg(12.13lbs)
	Mount Option (only suitable for outdoor dome)	Long-arm wall mount: DS-1601ZJ; Corner mount: DS-1633ZJ; Pole Mount: DS-1622ZJ; Power box mount:DS-1634ZJ

## Dimensions



## Order models

- DS-2AF7264-A, PAL, 24VAC, outdoor
- DS-2AF7264-D, PAL, 12VDC, outdoor
- DS-2AF7268-A, PAL, 24VAC, outdoor
- DS-2AF7268-D, PAL, 12VDC, outdoor
- DS-2AF7264N-A, NTSC, 24VAC, outdoor
- DS-2AF7264N-D, NTSC, 12VDC, outdoor
- DS-2AF7268N-A, NTSC, 24VAC, outdoor
- DS-2AF7268N-D, NTSC, 12VDC, outdoor

## Accessories



DS-1601ZJ Long-arm Wall Mount Bracket