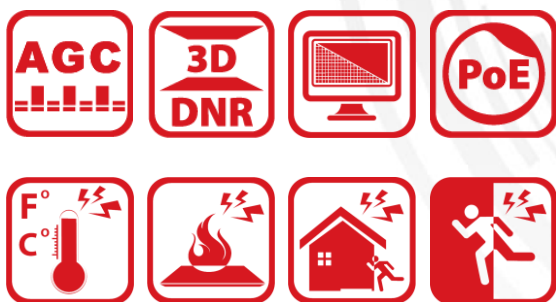


DS-2TD2136-10/15/25/35 Thermal Network Bullet Camera



Hikvision DS-2TD2136-10/15/25/35 Thermal Network Bullet Camera is applied to perimeter defense and fire-prevention purposes in critical infrastructures such as: airport, railway, prison, power station, 4S stores, and so on. The pre-alarm system helps you discover unexpected events immediately and protects you from property loss.

Smart Function (Thermal Imaging)

- Leading image processing technology: Adaptive AGC, DDE, 3D DNR, NETD < 50mk (0.05°C/32.09°F)
- Powerful behavior analysis algorithm: Line crossing, Intrusion, Audio exception, Region Entrance & Exit
- Reliable temperature exception alarm function
- Advanced fire detection algorithm

Thermal Imaging Module Function

- 384*288 resolution, high sensitivity sensor, support contrast adjustment
- Support shutter adjustment in various modes
- 3D DNR, 14 palettes of color adjustable, image detail enhancement
- Support mirror image, digital zoom X2, X4 and local output
- 10mm, 15mm, 25mm, and 35mm Lens are optional



Specifications

Parameter		Model	DS-2TD2136-10	DS-2TD2136-15	DS-2TD2136-25	DS-2TD2136-35
		Thermal Network Bullet Camera				
Thermal Module	Image sensor	Vanadium Oxide Uncooled Focal Plane Arrays				
	Max. Resolution	384 × 288				
	Response waveband	8μm to 14μm				
	NETD	< 50mk(@25°C,F#=1.0)				
	Lens (focal length)	10 mm	15 mm	25 mm	35 mm	
	MRAD	1.70 mrad	1.13 mrad	0.68 mrad	0.49 mrad	
	Field of View	36° × 27°	24.55° × 18.54°	14.88° × 11.19°	10.66° × 8.002°	
	Min. Focusing Distance	1 m	2.5 m	13 m	40 m	
	F number	1.0				
Network Integration	Main stream	50fps (384×288)				
	Sub stream	50fps (384×288)				
	Third stream	50fps (384×288)				
	Video compression	H.264/MJPEG, H.264+ encoding with Baseline/Main/High Profile				
	Audio compression	G.711u/G.711a/G.722.1/MP2L2/G.726/PCM				
	Protocols	IPv4/IPv6,HTTP,HTTPS,802.1x,Qos,FTP,SMTP,UPnP,SNMP,DNS,DDNS,NTP,RTSP,RTCP,RTP,TCP,UDP,IGMP,ICMP,DHCP,PPPoE,Bonjour				
	Simultaneous live view	Up to 20				
	User/Host level	Up to 32 users, 3 levels: Administrator, Operator, User				
	Security measures	User authentication (ID and PW), MAC address binding, HTTPS encryption, IEEE 802.1x access control, IP address filtering				
	Alarm input	2-ch inputs (0-5VDC)				
	Alarm output	2-ch relay outputs, alarm response actions configurable				
	Alarm action	SD recording/Relay output/Smart capture/FTP upload/Email linkage				
	Audio input	1 3.5mm Mic in/Line in interface. Line input: 2-2.4V[p-p], output impedance:1KΩ±10%				
	Audio output	Line level, impedance: 600Ω				
	Reset	1 Reset Button				
	Ethernet	1 RJ45 10M/100M Self-adaptive Ethernet interface				
	SD memory card	Built-in Micro SD card slot, support Micro SD/SDHC/SDXC card (up to 64G), support manual/alarm recording				
	Analog video output	1.0V[p-p] / 75Ω, PAL(or NTSC), BNC				
	Application programming	Open-ended API, support ONVIF, PSIA, CGI, HIKVISION SDK and third-party management platform				
	Client	iVMS-4200				
Web browser	IE7+, Chrome18+, Firefox5.0+, Safari5.02+					
General	Menu language	English				
	Power	POE+ (802.3at), 24VAC, 12VDC/3A, 8W (20W with De-icing Heater On)				
	Working temperature Humidity	-40 °C to 65 °C (-40 °F to 149 °F), 90% or less				
	Protection level	IP66 TVS 6000V Lightning protection, surge protection, voltage transient protection				
	Dimensions	314mm×104mm×292.7mm (12.36"×4.09"×11.52")				
	Weight	2kg (4.41lb)				

Wide Range Coverage for Different Specifications

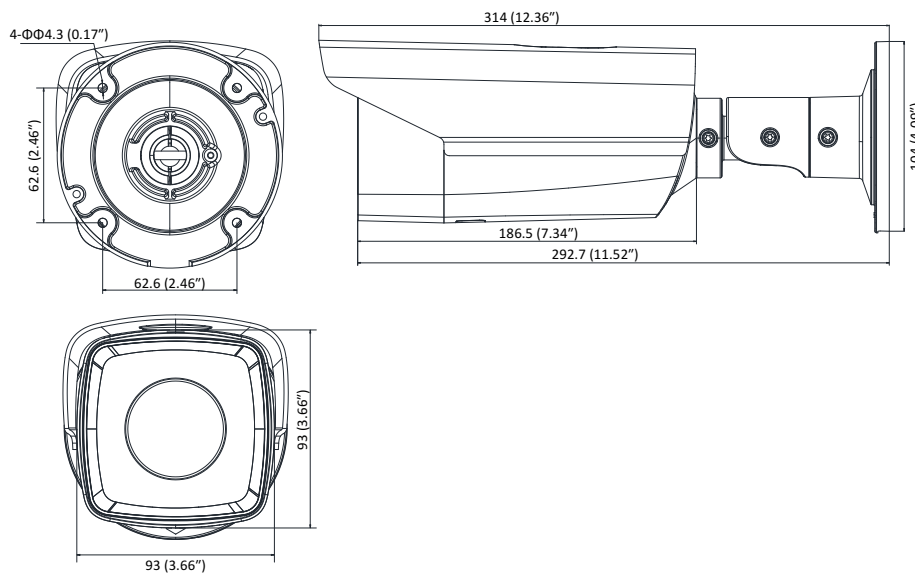
Note: The table below is only for reference, the performance varies from model to model, and the specific data is based on 17 μm pixel space-between.

Lens (focal length)	10mm	15mm	25mm	35mm	50mm	75mm
Detection range (Vehicles)	902m	1353m	2255m	3157m	4510m	6765m
Detection range (Humans)	294m	441m	735m	1029m	1471m	2206m
Recognition range (Vehicles)	225m	338m	564m	789m	1127m	1691m
Recognition range (Humans)	74m	110m	184m	257m	368m	551m
Identification range (Vehicles)	113m	169m	282m	395m	564m	846m
Identification range (Humans)	37m	55m	92m	129m	184m	276m

Order Models

DS-2TD2136-10; DS-2TD2136-15; DS-2TD2136-25; DS-2TD2136-35

Dimensions



Distributed by



Headquarters

No.555 Qianmo Road, Binjiang District,
Hangzhou 310051, China
T +86-571-8807-5998
overseasbusiness@hikvision.com

Hikvision USA
T +1-909-895-0400
sales.usa@hikvision.com

Hikvision Europe
T +31-23-5542770
saleseuro@hikvision.com

Hikvision Middle East
T +971-4-8816086
salesme@hikvision.com

Hikvision Russia
T +7-495-669-67-99
saleru@hikvision.com

Hikvision India
T +91-22-28469900
sales@pramahikvision.com

Hikvision Italy
T +39-0438-6902
info.it@hikvision.com

Hikvision France
T +33(0)1-85-330-444
info.fr@hikvision.com

Hikvision Spain
T +34-91-737-16-55
info.es@hikvision.com

Hikvision Poland
T +48-22-460-01-50
poland@hikvision.com

Hikvision UK
T +44-1628-9021-4
support.uk@hikvision.com

Hikvision Singapore
T +65-6684-4718
sg@hikvision.com

Hikvision Oceania
T +61-2-8599-4233
salesau@hikvision.com

Hikvision Hong Kong
T +852-2151-1761

Hikvision Canada
T +1-909-895-0400
sales.usa@hikvision.com