

Fujinon lens for SNB-9000

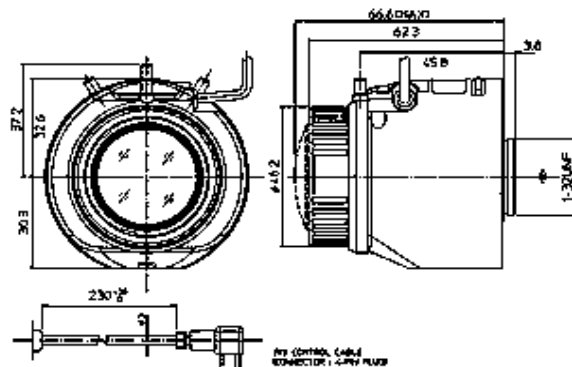
DV2.2x4.1SR4A-SA2L



Fujinon lens for SNB-9000			
Focal Length (mm)	4.1 - 9 (2.2x)		
Iris Range	F1.6 - T360		
Operation	Zoom	Manual	
	Focus	Manual	
	Iris	Auto (DC type or P-Iris)	
Angle of View (H × V)	1/1.8"	WIDE	100°1' × 74°21'
		TELE	45°17' × 33°59'
	1/2"	WIDE	89°33' × 66°42'
		TELE	40°43' × 30°34'
	1/3"	WIDE	66°42' × 49°50'
		TELE	30°34' × 22°56'
Angle of View (H × V) Aspect Ratio 16 : 9	1/1.8"	WIDE	109°23' × 60°32'
		TELE	49°18' × 27°47'
	1/2"	WIDE	97°52' × 54°20'
		TELE	44°21' × 24°59'
	1/3"	WIDE	72°47' × 40°39'
		TELE	33°17' × 18°44'
1/4"	WIDE	54°20' × 30°27'	
	TELE	24°59' × 14°3'	
Focus Range (From the Lens Front) (m)	∞ - 0.3m		
Mass (g)	135		

Dimensions

Unit: mm



DISTRIBUTED BY



Hanwha Techwin Europe Ltd.

2nd Floor, No. 5 The Heights, Brooklands, Weybridge, Surrey, KT13 0NY, UK

Tel : +44.1932.82.6700 Fax : +44.1932.82.6701

www.samsung-security.eu

©2016 Hanwha Techwin Europe Ltd. All rights reserved.

SAMSUNG