

AE-VC061P(N)-ITS 720TVL EXIR Mobile Twin Camera



Key Features

- 0.1Lux @(F1.2,AGC ON), 0 Lux with EXIR (IR function is only supported by back sight camera)
- 720TVL high definition
- Support electronic Day/Night switch
- Adopt bi-lens with wider monitoring coverage
- Support electronic shutter and AGC
- Built-in microphone
- Patented universal regulating mechanism, easy to adjust
- Anti-vibration design and aviation port for mobile environments
- Suitable for mobile environments



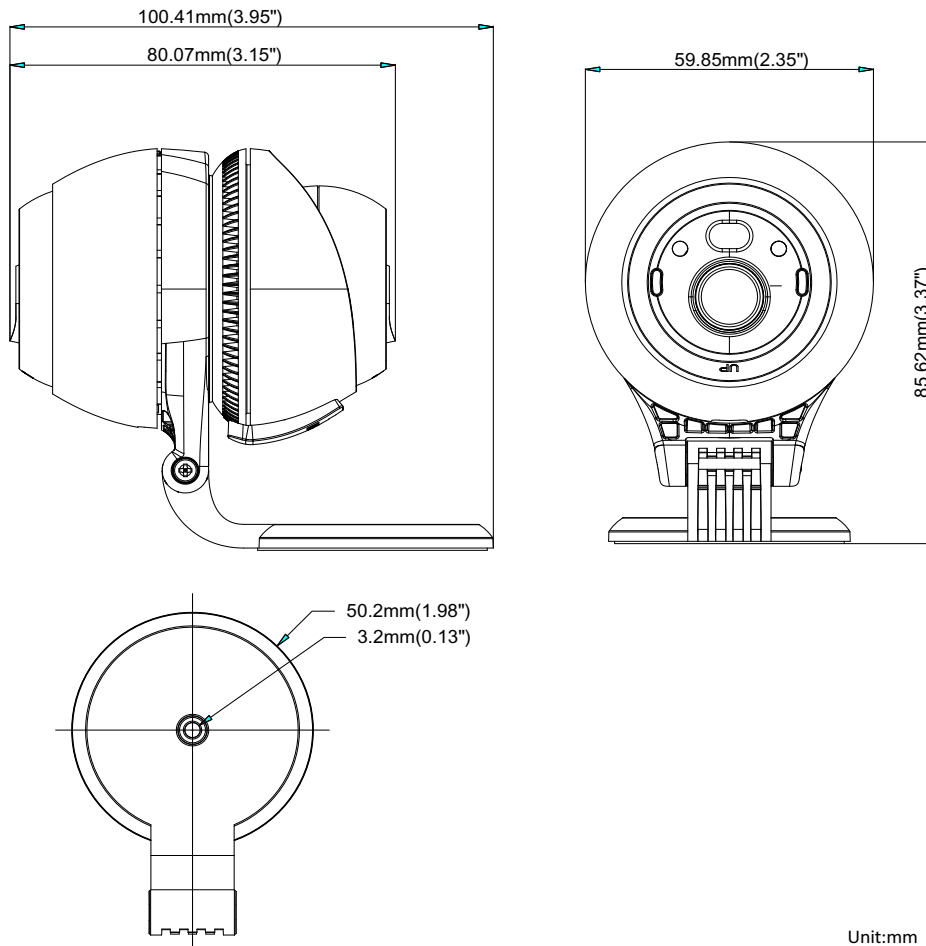
Specifications

Camera	
Image Sensor	1.0 Mega Progressive Scan CMOS
Signal System	NTSC
Resolution	1296(H)×732(V)
Horizontal Resolution	720TVL
Min. Illumination	0.1Lux @ (F1.2,AGC ON), 0 Lux with IR
Shutter Time	1/25(30)s to 1/50,000s
Lens	2.1mm
Lens Mount	M12
Day & Night	Fore Sight: Color Back Sight: Electronic
Angle Adjustment	Fore Sight: Pan: 0°; Tilt:0°; Rotation: 0° to 360°, Bracket Angle Adjustment Range: 0° to 90° Back Sight: Pan: 0° to 360°; Tilt:0° to 60°; Rotation: 0° to 360°, Bracket Angle Adjustment Range: 0° to 90°
Frame Rate	30fps
Synchronization	Internal Synchronization
Video Output	Aviation Port
S/N Ratio	>62dB
Interfaces	
Video Out	2-ch, Aviation Port (1Vpp Composite Output)
Audio In	Built-in Microphone
Audio Out	2-ch, Aviation Port (Output Impedance: 1KΩ±10%)
Aviation Plug	1: Video, 2: Audio, 3: Power, 4: GND
General	
Working Temperature/Humidity	-30°C to 65°C (-22°F to 149°F), Humidity 90% or less (non-condensing)
Power Supply	6VDC to 16VDC
Power Consumption	MAX. 4W
Protection Level	IP4X
IR Range	3m
Dimension	59.9mm×85.6mm×80mm (2.36"×3.37"×3.15")
Weight	Approx. 400g (0.88lb)

Order Models

AE-VC061P-ITS (2.1mm); AE-VC061P-ITS (2.8mm);
 AE-VC061N-ITS (2.1mm); AE-VC061N-ITS (2.8mm);

Dimensions



Distributed by



Headquarters

No.555 Qianmo Road, Binjiang District,
 Hangzhou 310051, China
 T +86-571-8807-5998
 overseasbusiness@hikvision.com

Hikvision USA
 T +1-909-895-0400
 sales.usa@hikvision.com

Hikvision Europe
 T +31-23-5542770
 saleseuro@hikvision.com

Hikvision Middle East
 T +971-4-8816086
 salesme@hikvision.com

Hikvision Russia
 T +7-495-669-67-99
 saleru@hikvision.com

Hikvision India
 T +91-22-28469900
 sales@pramahikvision.com

Hikvision Italy
 T +39-0438-6902
 info.it@hikvision.com

Hikvision France
 T +33(0)1-85-330-444
 info.fr@hikvision.com

Hikvision Spain
 T +34-91-737-16-55
 info.es@hikvision.com

Hikvision Poland
 T +48-22-460-01-50
 poland@hikvision.com

Hikvision UK
 T +44-1628-9021-4
 support.uk@hikvision.com

Hikvision Singapore
 T +65-6684-4718
 sg@hikvision.com

Hikvision Oceania
 T +61-2-8599-4233
 salesau@hikvision.com

Hikvision Hong Kong
 T +852-2151-1761

Hikvision Canada
 T +1-909-895-0400
 sales.usa@hikvision.com