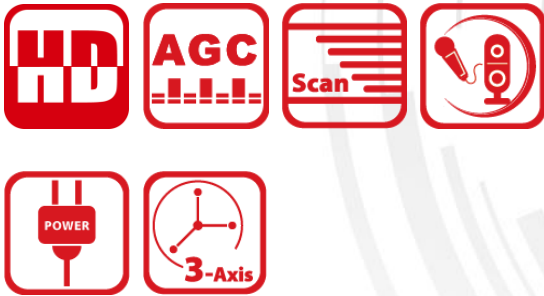


AE-VC161T-ITS Series 720P EXIR Mobile Twin Camera



Key Features

- 0.1Lux @(F1.2,AGC ON), 0 Lux with IR (IR function is only supported by back sight camera)
- Analog HD output, up to 720P resolution
- Support electronic Day/Night switch
- Adopt bi-lens with wider monitoring coverage
- Support electronic shutter and AGC
- Built-in microphone
- Patented universal regulating mechanism, easy to adjust
- Anti-vibration design and aviation port for mobile environments
- Suitable for mobile environments



Specifications

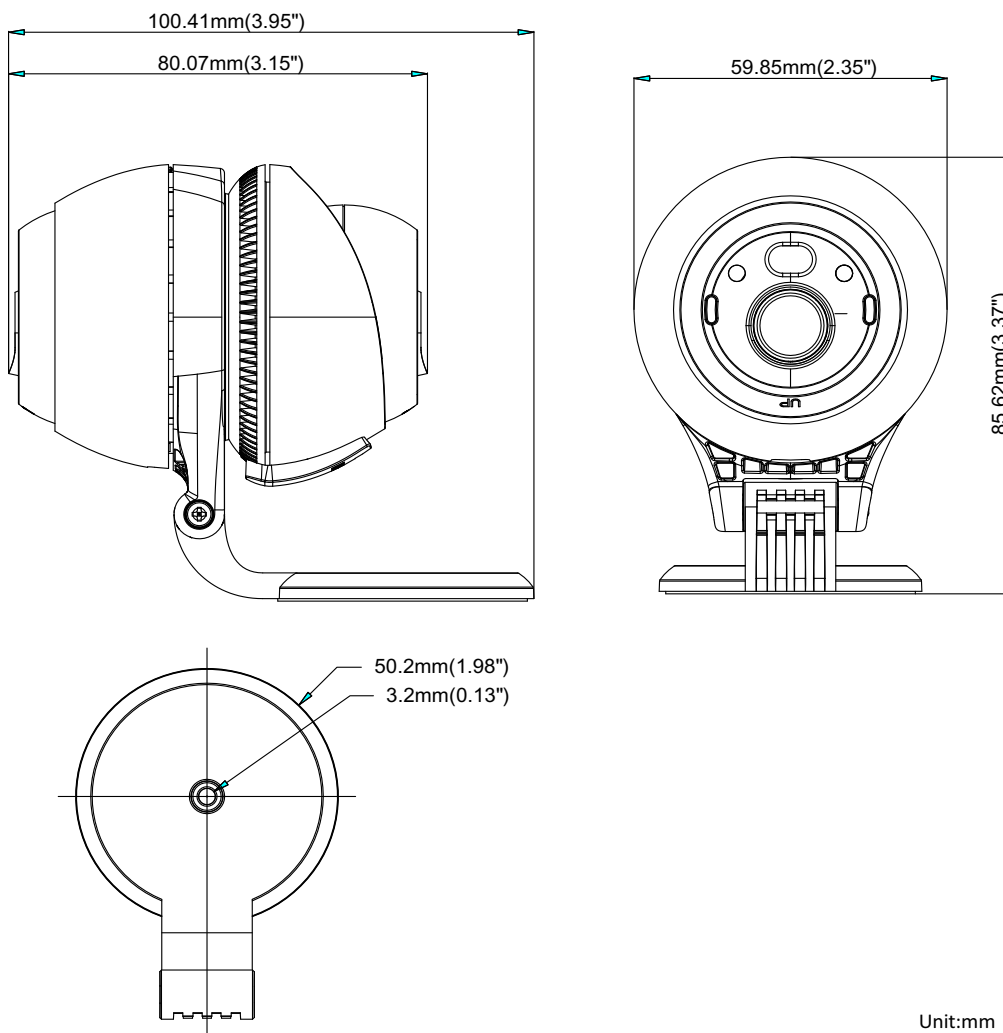
Camera	
Image Sensor	1.0 Mega Progressive Scan CMOS
Signal System	PAL/NTSC
Resolution	1296(H)×732(V)
Min. Illumination	0.1Lux @ (F1.2,AGC ON), 0 Lux with IR
Shutter Time	1/25(1/30)s to 1/50,000s
Lens	Fore Sight: 2.1mm,2.8mm Back Sight: 2.1mm
Lens Mount	M12
Day & Night	Fore Sight: Color Back Sight: Electronic
Angle Adjustment	Fore Sight: Bracket Angle Adjustment Range: 0° to 90° Back Sight: Pan: 0° to 360°; Tilt:0° to 60°; Rotation: 0° to 360°
Frame Rate	720P@25fps/30fps
Synchronization	Internal Synchronization
Video Output	Aviation Port
S/N Ratio	>62dB
Interfaces	
Video Out	2-ch, Aviation Port (1Vpp Composite Output)
Audio In	Built-in Microphone
Audio Out	2-ch, Aviation Port (Output Impedance: 1KΩ±10%)
Aviation Plug	1: TVI, 2: Audio, 3: Power, 4: GND
General	
Working Temperature/Humidity	-30°C to 65°C (-22°F to 149°F), Humidity 90% or less (non-condensing)
Power Supply	6VDC to 16VDC
Power Consumption	MAX. 4W
Dimension	59.9mm×85.6mm×80mm (2.36"×3.37"×3.15")
Weight	Approx. 400g (0.88lb)

Order Models

AE-VC161T-ITS (2.1mm)

AE-VC161T-ITS (2.8mm)

Dimensions



Distributed by

Headquarters
No.555 Qianmo Road, Binjiang District,
Hangzhou 310051, China
T +86-571-8807-5998
overseasbusiness@hikvision.com

Hikvision USA
T +1-909-895-0400
sales.usa@hikvision.com

Hikvision Italy
T +39-0438-6902
info.it@hikvision.com

Hikvision Singapore
T +65-6684-4718
sg@hikvision.com

Hikvision Europe
T +31-23-5542770
saleseuro@hikvision.com

Hikvision France
T +33(0)1-85-330-444
info.fr@hikvision.com

Hikvision Oceania
T +61-2-8599-4233
salesau@hikvision.com

Hikvision Middle East
T +971-4-8816086
salesme@hikvision.com

Hikvision Spain
T +34-91-737-16-55
info.es@hikvision.com

Hikvision Hong Kong
T +852-2151-1761

Hikvision Russia
T +7-495-669-67-99
saleru@hikvision.com

Hikvision Poland
T +48-22-460-01-50
poland@hikvision.com

Hikvision Canada
T +1-909-895-0400
sales.usa@hikvision.com

Hikvision India
T +91-22-28469900
sales@pramahikvision.com

Hikvision UK
T +44-1628-9021-4
support.uk@hikvision.com