

DS-2CC12D9T(-A)



Key Features

- 2 Megapixel high-performance CMOS
- Analog HD output, up to 1080P resolution
- True Day/Night
- OSD menu, 3D DNR, Smart IR
- True WDR, up to 120dB
- 24V AC/ 12V DC(-A)

Specification

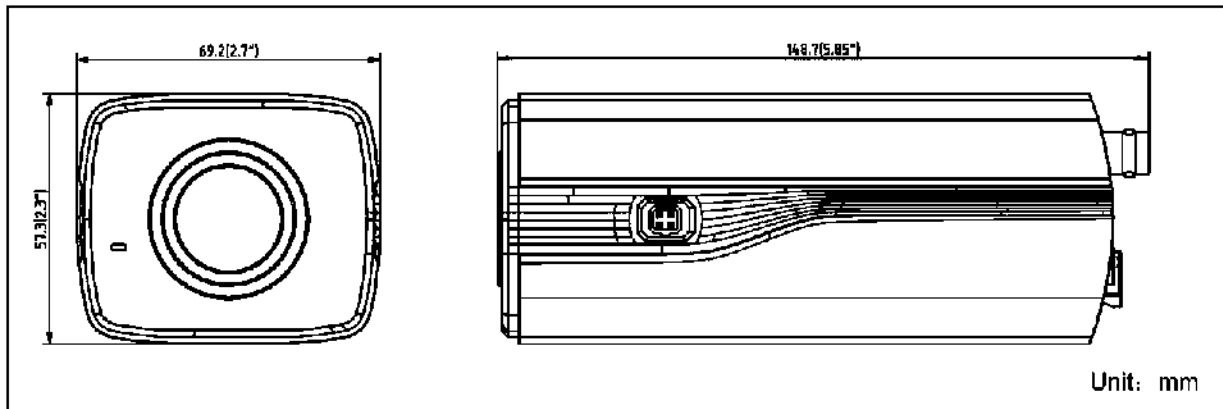
Model	DS-2CC12D9T(-A)
Parameter	Turbo HD1080p Box Camera
Camera	
Image Sensor	2MP CMOS Image Sensor
Signal System	PAL/NTSC
Effective Pixels	1944(H)*1092(V)
Min. Illumination	Color : 0.01 Lux @(F1.2,AGC ON) B/W : 0.001 Lux @(F1.2,AGC ON)
Shutter Time	1/25(1/30) s to 1/50,000 s
Lens Mount	C/CS mount
Auto-iris	DC drive
Day & Night	ICR
Synchronization	Internal synchronization
WDR	120dB
Video Frame Rate	1080p@25fps/1080p@30fps

HD Video Output	1 Analog HD output
CVBS Output	1Vp-p Composite Output(75Ω/BNC)
S/N Ratio	> 62dB
Menu	
Scene	Indoor, Outdoor, Indoor1, LOW-LIGHT
Camera ID	On/off (15 characters, position programmable)
AGC	Support
D/N Mode	Color/BW/EXT
White Balance	ATW, AWC-SET, Indoor, Outdoor, Manual
Privacy Mask	On/Off, maximum 8 zones
Motion Detection	On/Off, maximum 4 zones
BLC	Support
Anti-flicker	On/off
Language	English, Japanese, CHN1, CHN2, Korean, German, French, Italian, Spanish, Polish, Russian, Portuguese, Dutch, Turkish, Hebrew and Arabic
Functions	Eclipse, 3D DNR, Digital zoom(62x), Slow shutter, Mirror, Defog, Defect pixel correction, SMART D-ZOOM
General	
Working Temperature/Humidity	-30 °C – 60 °C (-22 °F – 140 °F) Humidity 90% or less (non-condensing)
Power Supply	12V DC ± 15% -A: 24V ± 15% AC, 12V ± 15% DC
Power Consumption	Max. 4W -A: Max. 6W
Communication	Up the coax HIKVISION-C(TVI output)
Dimension	69.2×57.3×148.7mm(2.7" × 2.3" × 5.85")
Weight	830g (1.83 lbs)

Order Model

DS-2CC12D9T, DS-2CC12D9T-A

Dimension



Accessories



DS-1292ZJ Wall Mounting
Indoor/Outdoor



DS-1332HZ
Indoor Housing



DS-1331HZ
Outdoor Housing



DS-1H18
Video Balun



DS-TT-X41T
TVI Tester



DS-1330HZ
Indoor Housing



TV0309D-MPIR Auto Iris
Manual Focusing 3MP IR Lens



DS-1203ZJ Pendant Mounting
Indoor