

## DS-2CE11D8T-IT3 2 MP Ultra-Low Light Bullet Camera



### Key Features

- 2 MP high performance CMOS
- Ultra-Low Light
- 1920 × 1080 resolution
- 2.8 mm, 3.6 mm, 6 mm, 8 mm, 12 mm fixed focal lens
- 120 dB true WDR, 3D DNR
- EXIR 2.0, Smart IR, up to 40 m IR distance
- IP67
- Up the Coax (HIKVISION-C)



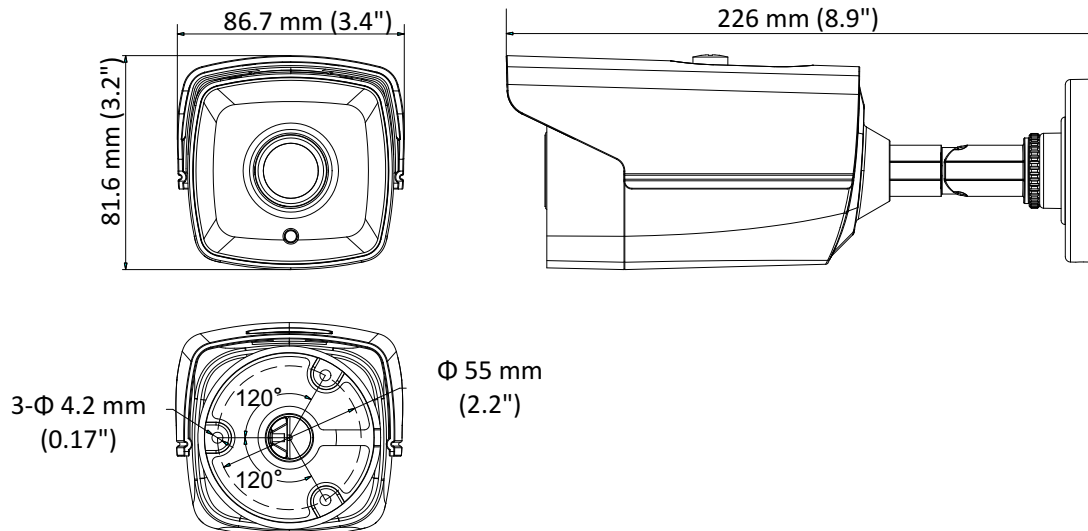
## Specification

| <b>Camera</b>                    |  |
|----------------------------------|--|
| Image Sensor                     | 2.0 megapixel progressive scan CMOS  |
| Signal System                    | PAL/NTSC   |
| Frame Rate                       | PAL: 1080p@25fps<br>NTSC: 1080p@30fps  |
| Resolution                       | 1920 (H) × 1080 (V)  |
| Min. illumination                | Color: 0.005 Lux @ (F1.2, AGC ON), 0 Lux with IR                             |
| Shutter Time                     | PAL: 1/25 s to 1/50, 000 s<br>NTSC: 1/30 s to 1/50, 000 s                    |
| Slow Shutter                     | Max. 16 times  |
| Lens                             | 2.8 mm, 3.6 mm, 6 mm, 8 mm, 12 mm fixed focal lens                           |
| Horizontal Field of View         | 103.5° (2.8 mm), 82.6° (3.6 mm), 54.4° (6 mm), 38° (8 mm), 24.4° (12 mm)     |
| Lens Mount                       | M12  |
| Day & Night                      | IR cut filter  |
| Angle Adjustment                 | Pan: 0° to 360°, Tilt: 0° to 180°, Rotate: 0° to 360°                        |
| Synchronization                  | Internal synchronization   |
| WDR (Wide Dynamic Range)         | > 120 dB   |
| <b>Menu</b>                      |  |
| AGC                              | Support  |
| Day/Night Mode                   | Auto/Color/BW (Black and White)  |
| White Balance                    | ATW/ MANUAL  |
| Privacy Mask                     | ON/OFF, 4 programmable privacy masks   |
| Motion Detection                 | 4 programmable motion areas  |
| Backlight Compensation           | WDR/BLC/HLC/OFF  |
| 3D DNR (Digital Noise Reduction) | Level 1 to 10  |
| Language                         | English, Chinese   |
| Functions                        | Brightness, Sharpness, Mirror, Smart IR                                      |
| <b>Interface</b>                 |  |
| Video Output                     | 1 HD analog output   |
| <b>General</b>                   |  |
| Operating Conditions             | -40 °C to 60 °C (-40 °F to 140 °F), humidity: 90% or less (non-condensation) |
| Power Supply                     | 12 VDC ±25%  |
| Power Consumption                | Max. 3.6 W   |
| Ingress Protection               | IP67   |
| Material                         | Metal  |
| IR Range                         | Up to 40 m   |
| Communication                    | Up the coax, Protocol: HIKVISION-C (TVI output)                              |
| Dimensions                       | 86.7 mm × 81.6 mm × 226 mm (3.41" × 3.23" × 8.67")                           |
| Weight                           | Approx. 680 g (1.5 lb.)  |

## Order Models

DS-2CE11D8T-IT3

## Dimension



## Accessory



DS-1280ZJ-XS  
Junction Box



DS-1H18  
Video Balun

Distributed by



# HIKVISION®

### Headquarters

No.555 Qianmo Road, Binjiang District,  
Hangzhou 310051, China  
T +86-571-8807-5998  
overseasbusiness@hikvision.com

**Hikvision USA**  
T +1-909-895-0400  
sales.usa@hikvision.com

**Hikvision Italy**  
T +39-0438-6902  
info.it@hikvision.com

**Hikvision Singapore**  
T +65-6684-4718  
sg@hikvision.com

**Hikvision Africa**  
T +27 (0) 0351172  
sale.africa@hikvision.com

**Hikvision Europe**  
T +31-23-55-42-770  
info.eu@hikvision.com

**Hikvision France**  
T +33(0)1-85-330-450  
info.fr@hikvision.com

**Hikvision Oceania**  
T +61-2-8599-4233  
salesau@hikvision.com

**Hikvision Hong Kong**  
T +852-2151-1761

**Hikvision Middle East**  
T +971-4-8816086  
salesme@hikvision.com

**Hikvision Spain**  
T +34-91-737-16-55  
info.es@hikvision.com

**Hikvision Canada**  
T +1-909-895-0400  
sales.usa@hikvision.com

**Hikvision Russia**  
T +7-495-669-67-99  
saleru@hikvision.com

**Hikvision Poland**  
T +48-22-460-01-50  
poland@hikvision.com

**Hikvision Korea**  
T +82-31-731-8841  
sales.korea@hikvision.com

**Hikvision India**  
T +91-22-28469900  
sales@pramahikvision.com

**Hikvision UK**  
T +01628-902140  
support.uk@hikvision.com

**Hikvision Brazil**  
T +55 11 3318-0050  
Latam.support@hikvision.com