

## DS-2CE11F1T-IT HD 3MP EXIR Bullet Camera



### Key Features

- 3 Megapixel high-performance CMOS
- Analog HD output, up to 3MP resolution
- 2.8mm, 3.6mm, 6mm lens
- True Day/Night
- OSD menu, DNR, Smart IR
- EXIR technology, up to 20m IR distance
- IP66 weatherproof
- Up the Coax(HIKVISION-C)



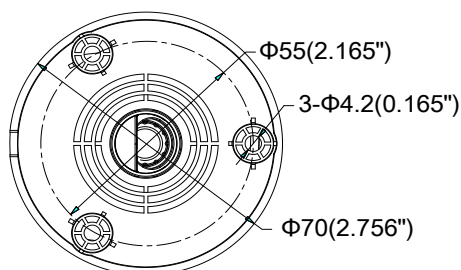
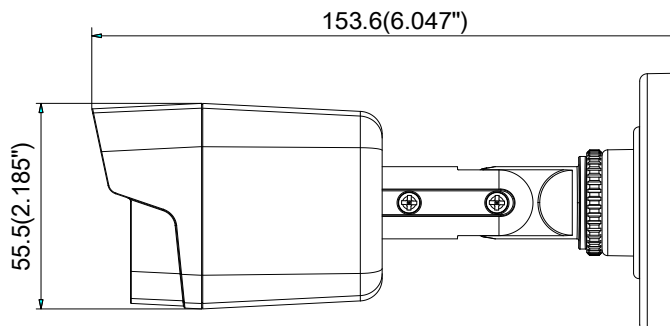
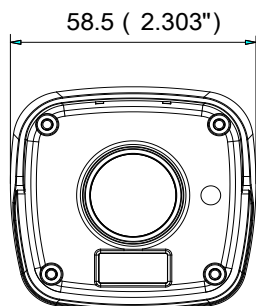
## Specifications

<b>Camera</b>	
Image Sensor	3MP CMOS Image Sensor
Effective Pixels	2052(H)*1536(V)
Min. illumination	0.01 Lux @ (F1.2,AGC ON), 0 Lux with IR
Shutter Time	1/25s to 1/50,000s
Lens	2.8mm, 3.6mm, 6mm lens @ F1.2
Lens Mount	M12
Day & Night	ICR
Angle Adjustment	Pan: 0° - 360°; Tilt:0° - 90°; Rotate: 0° - 360°
Synchronization	Internal Synchronization
Video Frame Rate	1920×1536@18fps
HD Video Output	1 Analog HD output
S/N Ratio	> 62dB
<b>Menu</b>	
AGC	Support
D/N Mode	Color/BW/SMART
White Balance	ATW/ MWB
BLC	Support
Functions	Wide Dynamic Range, Digital noise reduction, Mirror, SMART IR
<b>General</b>	
Operating Conditions	-40 °C – 60 °C (-40 °F – 140 °F), Humidity 90% or less (non-condensing)
Power Supply	12 VDC± 15%
Power Consumption	Max. 5W
Protection Level	IP66
IR Range	Up to 20m
Communication	Up the coax, Protocol: HIKVISION-C (TVI output)
Dimensions	58.5mm×55.5mm×153.6mm (2.30"×2.19"×6.05")
Weight	Approx. 370g (0.82lb)

## Order Models

DS-2CE11F1T-IT

## Dimensions



Unit: mm

## Accessories



DS-1280ZJ-S  
Junction Box



DS-1H18  
Video Balun



X41T  
Camera Tester

Distributed by



### Headquarters

No.555 Qianmo Road, Binjiang District,  
Hangzhou 310051, China  
T +86-571-8807-5998  
overseasbusiness@hikvision.com

**Hikvision USA**  
T +1-909-895-0400  
sales.usa@hikvision.com

**Hikvision Europe**  
T +31-23-5542770  
saleseuro@hikvision.com

**Hikvision Middle East**  
T +971-4-8816086  
salesme@hikvision.com

**Hikvision Russia**  
T +7-495-669-67-99  
saleru@hikvision.com

**Hikvision India**  
T +91-22-28469900  
sales@pramahikvision.com

**Hikvision Italy**  
T +39-0438-6902  
info.it@hikvision.com

**Hikvision France**  
T +33(0)1-85-330-444  
info.fr@hikvision.com

**Hikvision Spain**  
T +34-91-737-16-55  
info.es@hikvision.com

**Hikvision Poland**  
T +48-22-460-01-50  
poland@hikvision.com

**Hikvision UK**  
T +44-1628-9021-4  
support.uk@hikvision.com

**Hikvision Singapore**  
T +65-6684-4718  
sg@hikvision.com

**Hikvision Oceania**  
T +61-2-8599-4233  
salesau@hikvision.com

**Hikvision Hong Kong**  
T +852-2151-1761

**Hikvision Canada**  
T +1-909-895-0400  
sales.usa@hikvision.com