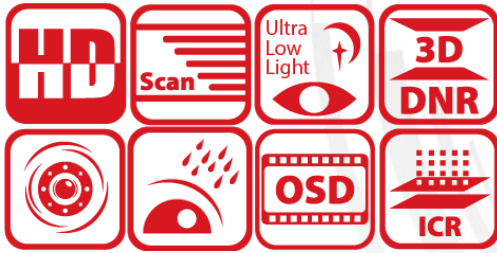


## DS-2CE16C5T-(A)V FIR3 HD720P Low-light Vari-focal IR Bullet Camera



### Key Features

- 1.27 Megapixel high-performance CMOS
- Analog HD output, up to 720P resolution
- 2.8-12mm vari-focal lens
- True Day/Night
- OSD menu, 3D DNR, Smart IR
- EXIR vari-focal technology, up to 40m IR distance
- IP66 weatherproof
- Up the Coax(HIKVISION-C, Pelco-C Protocol)



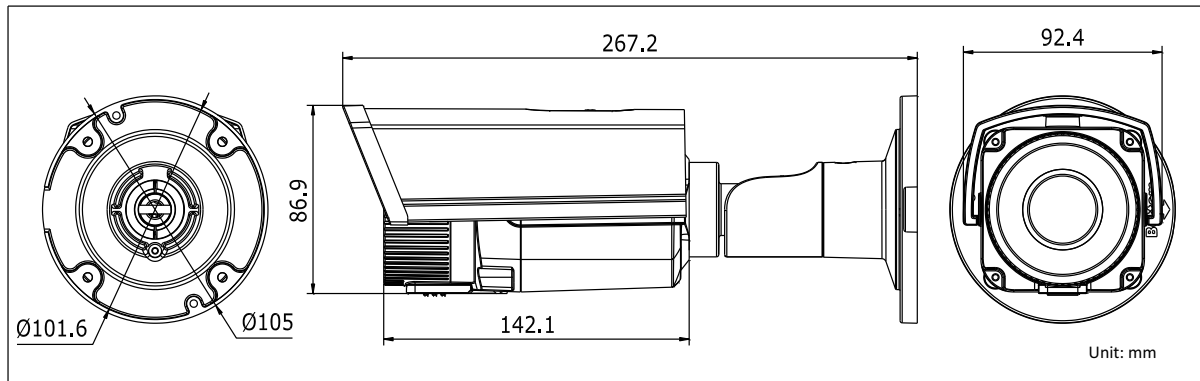
## Specifications

<b>Camera</b>	
Image Sensor	1.27MP CMOS Image Sensor
Signal System	PAL/NTSC
Effective Pixels	1305(H)*977(V)
Min. illumination	0.001 Lux @(F1.2,AGC ON), 0 Lux with IR
Shutter Time	1/25(1/30)s to 1/50,000s
Lens	2.8 - 12 mm @ F1.4
	Angle of view: 92° - 29.3°
Lens Mount	φ14
Day & Night	ICR
Angle Adjustment	Pan: 0° - 360°; Tilt:0° - 90°; Rotate: 0° - 360°
Synchronization	Internal synchronization
Video Frame Rate	720p@25fps/720p@30fps
HD Video Output	1 Analog HD output
CVBS Output	1Vp-p Composite Output(75Ω/BNC)
S/N Ratio	> 62dB
<b>Menu</b>	
Automatic Exposure	Globe AE/DWDR
AGC	Low/Middle/High/Off
Slow Shutter	Support
White Balance	Auto/Manual
D/N Mode	Color/BW/SMART IR
3D DNR	Low/Middle/High/Off
Motion Detection	Support, maximum 4 zones
Privacy Mask	On/Off, maximum 8 zones
Language	English/Chinese
Function	Digital Wide Dynamic Range, 3D Digital Noise Reduction, Sharpness, Brightness, Digital Zoom, Mirror, Reset
<b>General</b>	
Operating Conditions	-30 °C – 60 °C (-22 °F – 140 °F), Humidity 90% or less (non-condensing)
Power Supply	12 VDC ± 15%; -A: 12 VDC ± 15% 24 VAC ± 15%,
Power Consumption	Max. 5W; -A: Max. 7W
Protection Level	IP66
IR Range	Up to 40m
Communication	Up the coax, Protocol: Pelco-C(CVBS output), HIKVISION-C(TVI output)
Dimensions	105 × 86.9 × 267.2mm(φ 4.13" × 3.42" × 10.52")
Weight	1200 g

## Order Models

DS-2CE16C5T-(A)V FIR3

## Dimensions



## Accessories



DS-1275ZJ

Vertical Pole Mounting



DS-1260ZJ

Junction box



DS-1280ZJ-S

Junction box



DS-1H18

Video Balun



X41T

Camera Tester



DS-1276ZJ

Corner Mounting

Distributed by



### Headquarters

No.555 Qianmo Road, Binjiang District,  
Hangzhou 310051, China  
T +86-571-8807-5998  
overseasbusiness@hikvision.com

### Hikvision Poland

T +48-22-460-01-50  
poland@hikvision.com

### Hikvision USA

T +1-909-895-0400  
sales.usa@hikvision.com

### Hikvision India

T +91-22-28469900  
sales@pramahikvision.com

### Hikvision UK

T +44-1628-9021-4  
support.uk@hikvision.com

### Hikvision Europe

T +31-23-5542770  
saleseuro@hikvision.com

### Hikvision Italy

T +39-0438-6902  
info.it@hikvision.com

### Hikvision Singapore

T +65-6684-4718  
sg@hikvision.com

### Hikvision Middle East

T +971-4-8816086  
salesme@hikvision.com

### Hikvision France

T +33(0)1-85-330-444  
info.fr@hikvision.com

### Hikvision Oceania

T +61-2-8599-4233  
salesau@hikvision.com

### Hikvision Russia

T +7-495-669-67-99  
saleru@hikvision.com

### Hikvision Spain

T +34-91-737-16-55  
info.es@hikvision.com

### Hikvision Hong Kong

T +852-2151-1761