

DS-2CE16D0T-IRPF HD 1080p IR Bullet Camera



Key Features

- 2 megapixel high performance CMOS
- Analog HD output, up to 1080p resolution
- Day/Night switch
- Smart IR
- Up to 20 m IR distance
- Switchable TVI/AHD/CVI/CVBS
- IP66



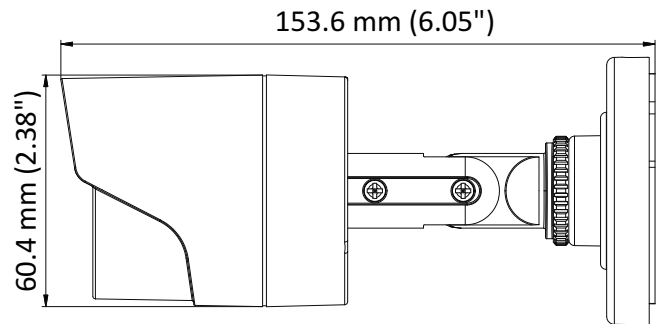
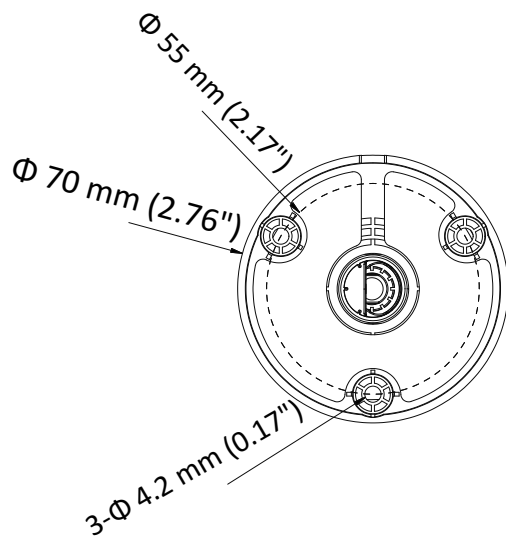
Specifications

| Camera | |
|--------------------------|-----------------------------------------------------------------------------|
| Image Sensor | 2MP CMOS Image Sensor |
| Signal System | PAL/NTSC |
| Frame Rate | PAL: 1080p@25fps NTSC: 1080p@30fps |
| Resolution | 1920 (H) × 1080 (V) |
| Min. illumination | 0.01 Lux@(F1.2,AGC ON),0 Lux with IR |
| Shutter Time | 1/25 (1/30) s to 1/50,000 s |
| Lens | 2.8 mm, 3.6 mm, 6 mm fixed lens |
| Horizontal Field of View | 103° (2.8 mm), 82.2° (3.6 mm), 54° (6 mm) |
| Lens Mount | M12 |
| Day & Night | IR cut filter |
| Angle Adjustment | Pan: 0° to 360°, Tilt: 0° to 180°, Rotation: 0° to 360° |
| Synchronization | Internal synchronization |
| Menu | |
| AGC | Low/middle/high |
| Day/Night Mode | Smart/color/BW(Black and White) |
| Backlight Compensation | Yes |
| DWDR | Yes |
| Language | English, Chinese |
| Functions | Brightness, Sharpness, DNR, Mirror |
| Interface | |
| Video Output | 1 HD analog output |
| Switch Button | TVI/AHD/CVI/CVBS |
| General | |
| Operating Conditions | -40 °C to 60 °C (-40 °F to 140 °F), Humidity 90% or less (non-condensation) |
| Power Supply | 12 VDC ± 15% |
| Power Consumption | Max. 4 W |
| Ingress Protection | IP66 |
| Material | Plastic |
| IR Range | Up to 20 m |
| Dimensions | Φ 70 mm × 154.5 mm (2.76" × 6.08") |
| Weight | Approx. 400 g (0.88 lb.) |

Order Model

DS-2CE16D0T-IRPF

Dimensions



Accessories



DS-1280ZJ-XS
Junction Box



DS-1H18
Video Balun



X41T
Camera Tester

Distributed by



Headquarters

No.555 Qianmo Road, Binjiang District,
Hangzhou 310051, China
T +86-571-8807-5998
overseasbusiness@hikvision.com

Hikvision Poland
T +48-22-460-01-50
poland@hikvision.com

Hikvision USA
T +1-909-895-0400
sales.usa@hikvision.com

Hikvision India
T +91-22-28469900
sales@pramahikvision.com

Hikvision UK
T +44-1628-9021-4
support.uk@hikvision.com

Hikvision Europe
T +31-23-5542770
saleseuro@hikvision.com

Hikvision Italy
T +39-0438-6902
info.it@hikvision.com

Hikvision Singapore
T +65-6684-4718
sg@hikvision.com

Hikvision Middle East
T +971-4-8816086
salesme@hikvision.com

Hikvision France
T +33(0)1-85-330-444
info.fr@hikvision.com

Hikvision Oceania
T +61-2-8599-4233
salesau@hikvision.com

Hikvision Russia
T +7-495-669-67-99
saleru@hikvision.com

Hikvision Spain
T +34-91-737-16-55
info.es@hikvision.com

Hikvision Hong Kong
T +852-2151-1761