

## DS-2CE16D1T-IR HD1080P IR Bullet Camera



### Key Features

- 2 Megapixel high-performance CMOS
- Analog HD output, up to 1080P resolution
- True Day/Night, Smart IR
- Up to 20m IR distance
- IP66 weatherproof
- OSD menu
- Up the Coax(HIKVISION-C protocol)



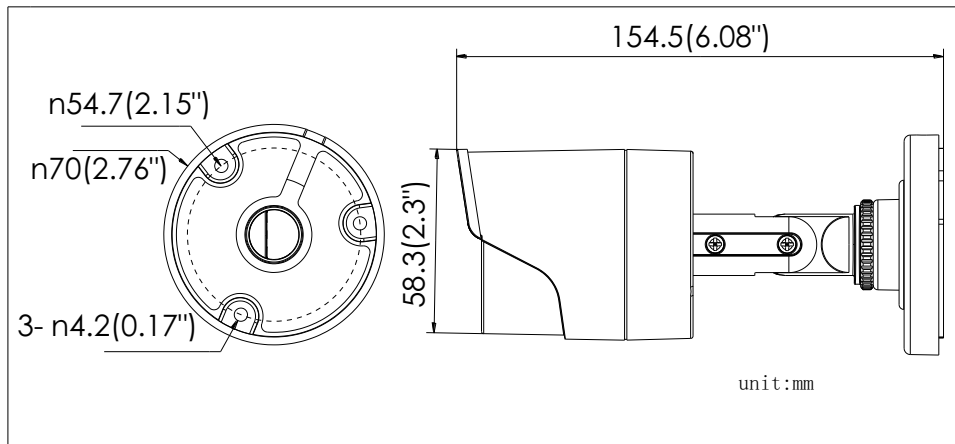
## Specifications

| <b>Camera</b>        |   |
|----------------------|---|
| Image Sensor         | 2MP CMOS Image Sensor   |
| Signal System        | PAL/NTSC  |
| Effective Pixels     | 1930(H)*1088(V)   |
| Min. illumination    | 0.01 Lux @ (F1.2,AGC ON),0 Lux with IR                                  |
| Shutter Time         | 1/25(1/30)s to 1/50,000s  |
| Lens                 | 3.6mm, 6mm optional   |
|                      | Angle of View: 91.3°(3.6mm), 59.9°(6mm)                                 |
| Lens Mount           | M12   |
| Day & Night          | ICR   |
| Angle Adjustment     | Pan: 0 - 360°, Tilt: 0 - 180°, Rotation: 0 - 360°                       |
| Synchronization      | Internal synchronization  |
| Video Frame Rate     | 1080p@25fps/1080p@30fps   |
| HD Video Output      | 1 Analog HD output  |
| S/N Ratio            | >62dB   |
| <b>Menu</b>          |   |
| Camera ID            | On/off (0-255)  |
| AGC                  | Support   |
| D/N Mode             | Color/BW/Auto/EXT   |
| White Balance        | Auto/User/Push/8000K/6000K/4200K/3000K                                  |
| Privacy Mask         | On/Off, maximum 2 zones   |
| Motion Detection     | On/Off, maximum 4 zones   |
| BLC                  | Support   |
| Anti-flicker         | On/Off  |
| Language             | English/Chinese   |
| Functions            | Digital noise reduction, Mirror   |
| <b>General</b>       |   |
| Operating Conditions | -40 °C – 60 °C (-40 °F – 140 °F), Humidity 90% or less (non-condensing) |
| Power Supply         | 12 VDC ± 15%  |
| Power Consumption    | Max. 4W   |
| Protection Level     | IP66  |
| IR Range             | Up to 20m   |
| Communication        | Up the coax, Protocol: HIKVISION-C(TVI output)                          |
| Dimensions           | Φ70×149.5mm (Φ2.76"×5.89")  |
| Weight               | 400 g   |

## Order Models

DS-2CE16D1T-IR

## Dimensions



## Accessories



**DS-1280ZJ-XS**  
Junction box



**DS-1H18**  
Video Balun



**X41T**  
Camera Tester

Distributed by



### Headquarters

No.555 Qianmo Road, Binjiang District,  
Hangzhou 310051, China  
T +86-571-8807-5998  
overseasbusiness@hikvision.com

### Hikvision Poland

T +48-22-460-01-50  
poland@hikvision.com

### Hikvision USA

T +1-909-895-0400  
sales.usa@hikvision.com

### Hikvision India

T +91-22-28469900  
sales@pramahikvision.com

### Hikvision UK

T +44-1628-9021-4  
support.uk@hikvision.com

### Hikvision Europe

T +31-23-5542770  
saleseuro@hikvision.com

### Hikvision Italy

T +39-0438-6902  
info.it@hikvision.com

### Hikvision Singapore

T +65-6684-4718  
sg@hikvision.com

### Hikvision Middle East

T +971-4-8816086  
salesme@hikvision.com

### Hikvision France

T +33(0)1-85-330-444  
info.fr@hikvision.com

### Hikvision Oceania

T +61-2-8599-4233  
salesau@hikvision.com

### Hikvision Russia

T +7-495-669-67-99  
saleru@hikvision.com

### Hikvision Spain

T +34-91-737-16-55  
info.es@hikvision.com

### Hikvision Hong Kong

T +852-2151-1761