

## DS-2CE51F7T-IT3Z

### 3MP Motorized VF EXIR Turret Camera



#### Key Features

- 3 Megapixel high-performance CMOS
- Analog HD output, up to 3MP resolution
- 2.8mm-12mm motorized vari-focal lens
- True Day/Night
- OSD menu, DNR, Smart IR
- True WDR, up to 120dB
- EXIR technology, up to 40m IR distance
- IP66 weatherproof
- Up the Coax(HIKVISION-C)



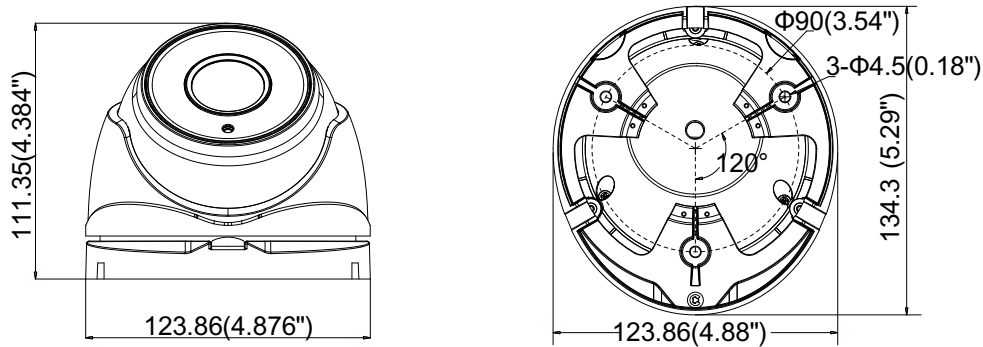
## Specifications

| <b>Camera</b>        |   |
|----------------------|---|
| Image Sensor         | 3MP CMOS Image Sensor   |
| Effective Pixels     | 2052(H)*1536(V)   |
| Min. illumination    | 0.01 Lux @ (F1.2,AGC ON),0 Lux with IR                                  |
| Shutter Time         | 1/25s to 1/50,000s  |
| Lens                 | Motorized VF lens; 2.8 - 12 mm @ F1.2                                   |
| Lens Mount           | φ14   |
| Day & Night          | ICR   |
| Angle Adjustment     | Pan: 0° - 360°; Tilt:0° - 75°; Rotate: 0° - 360°                        |
| Synchronization      | Internal Synchronization  |
| WDR                  | 120dB   |
| Video Frame Rate     | 1920×1536@18fps   |
| HD Video Output      | 1 Analog HD output  |
| S/N Ratio            | > 62dB  |
| <b>Menu</b>          |   |
| AGC                  | Support   |
| D/N Mode             | Color/BW/SMART  |
| White Balance        | ATW/ MWB  |
| BLC                  | Support   |
| Functions            | Wide Dynamic Range, Digital noise reduction, Mirror, SMART IR           |
| <b>General</b>       |   |
| Operating Conditions | -40 °C – 60 °C (-40 °F – 140 °F), Humidity 90% or less (non-condensing) |
| Power Supply         | 12 VDC ± 15%  |
| Power Consumption    | Max. 6W   |
| Protection Level     | IP66  |
| IR Range             | Up to 40m   |
| Communication        | Up the coax, Protocol: HIKVISION-C (TVI output)                         |
| Dimensions           | 134.3mm×123.9mm×111.4mm (5.29"×4.88"×4.39")                             |
| Weight               | Approx. 750g (1.57lb)   |

## Order Models

DS-2CE51F7T-IT3Z

## Dimensions



Unit: mm

## Accessories



DS-1273ZJ-130-TRL

Wall Mounting



DS-1275ZJ

Vertical Pole Mounting



DS-1276ZJ

Corner Mounting



DS-1280ZJ-M

Junction Box



DS-1281ZJ-S

Inclined Ceiling Mounting

Distributed by



DS-1H18

Video Balun



X41T

Camera Tester

### Headquarters

No.555 Qianmo Road, Binjiang District,  
Hangzhou 310051, China  
T +86-571-8807-5998  
overseasbusiness@hikvision.com

**Hikvision USA**  
T +1-909-895-0400  
sales.usa@hikvision.com

**Hikvision Italy**  
T +39-0438-6902  
info.it@hikvision.com

**Hikvision Singapore**  
T +65-6684-4718  
sg@hikvision.com

**Hikvision Europe**  
T +31-23-5542770  
saleseuro@hikvision.com

**Hikvision France**  
T +33(0)1-85-330-444  
info.fr@hikvision.com

**Hikvision Oceania**  
T +61-2-8599-4233  
salesau@hikvision.com

**Hikvision Middle East**  
T +971-4-8816086  
salesme@hikvision.com

**Hikvision Spain**  
T +34-91-737-16-55  
info.es@hikvision.com

**Hikvision Hong Kong**  
T +852-2151-1761

**Hikvision Russia**  
T +7-495-669-67-99  
saleru@hikvision.com

**Hikvision Poland**  
T +48-22-460-01-50  
poland@hikvision.com

**Hikvision Canada**  
T +1-909-895-0400  
sales.usa@hikvision.com

**Hikvision India**  
T +91-22-28469900  
sales@pramahikvision.com

**Hikvision UK**  
T +44-1628-9021-4  
support.uk@hikvision.com