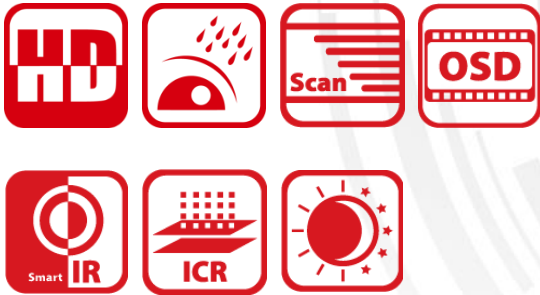


DS-2CE51H1T-IT3 5 MP EXIR Turret Camera



Key Features

- 5 megapixel high-performance CMOS
- HD analog output, up to 5 MP resolution
- 2.8 mm, 3.6 mm, 6 mm, 8 mm, 12 mm fixed focal lens
- True Day/Night
- OSD menu, DNR, Smart IR
- EXIR technology, up to 40 m IR distance
- IP67
- Up the Coax (HIKVISION-C)



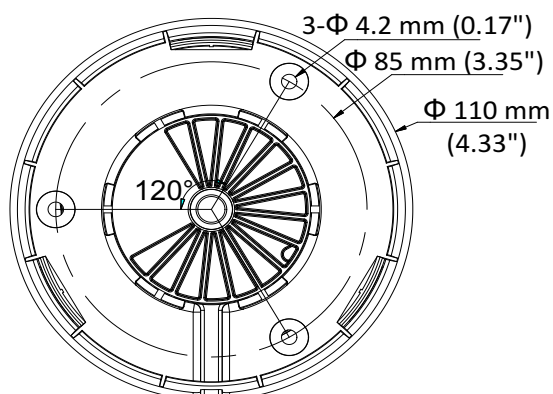
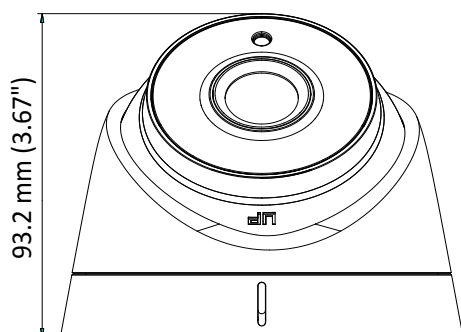
Specifications

| Camera | |
|--------------------------|--|
| Image Sensor | 5 MP CMOS image sensor |
| Effective Pixels | 2592 (H) × 1944 (V) |
| Min. illumination | Color: 0.01 Lux @ (F1.2, AGC ON), 0 Lux with IR |
| Shutter Time | PAL: 1/25 s to 1/50, 000 s NTSC: 1/30 s to 1/50, 000 s |
| Lens | 2.8 mm, 3.6 mm, 6 mm, 8 mm, 12 mm fixed focal lens |
| Horizontal Field of View | 86.5° (2.8 mm), 70.1° (3.6 mm), 46° (6 mm), 32.5° (8 mm), 20.9° (12 mm) |
| Lens Mount | M12 |
| Day & Night | ICR |
| Angle Adjustment | Pan: 0° to 360°; Tilt: 0° to 75°; Rotate: 0° to 360° |
| Synchronization | Internal synchronization |
| Video Frame Rate | 2592 × 1944 @ 20fps |
| HD Video Output | 1 HD analog output |
| Menu | |
| AGC | Support |
| D/N Mode | Auto/Color/BW (Black and White) |
| White Balance | ATW/MWB |
| BLC | Support |
| Language | English, Chinese |
| Functions | Brightness, Sharpness, Digital noise reduction, Mirror, Bad pixel correction, Smart IR |
| General | |
| Operating Conditions | -40 °C to 60 °C (-40 °F to 140 °F), humidity: 90% or less (non-condensation) |
| Power Supply | 12 V DC ± 30% |
| Power Consumption | Max. 5 W |
| Protection Level | IP67 |
| IR Range | Up to 40 m |
| Communication | Up the coax, Protocol: HIKVISION-C (TVI output) |
| Dimensions | Φ 110 mm × 93.2 mm (Φ 4.33" × 3.67") |
| Weight | Approx. 350 g (0.77 lb.) |

Order Models

DS-2CE51H1T-IT3

Dimensions



Accessories



DS-1272ZJ-110-TRS
Wall Mounting Bracket



DS-1275ZJ
Vertical Pole Mounting Bracket



DS-1276ZJ
Corner Mounting Bracket



DS-1280ZJ-M
Junction Box



DS-1281ZJ-S
Inclined Ceiling Mounting Bracket



DS-1H18
Video Balun

Distributed by



Headquarters

No.555 Qianmo Road, Binjiang District,
Hangzhou 310051, China
T +86-571-8807-5998
overseasbusiness@hikvision.com

Hikvision USA
T +1-909-895-0400
sales.usa@hikvision.com

Hikvision Europe
T +31-23-5542770
saleseuro@hikvision.com

Hikvision Middle East
T +971-4-8816086
salesme@hikvision.com

Hikvision Russia
T +7-495-669-67-99
saleru@hikvision.com

Hikvision India
T +91-22-28469900
sales@pramahikvision.com

Hikvision Italy
T +39-0438-6902
info.it@hikvision.com

Hikvision France
T +33(0)1-85-330-444
info.fr@hikvision.com

Hikvision Spain
T +34-91-737-16-55
info.es@hikvision.com

Hikvision Poland
T +48-22-460-01-50
poland@hikvision.com

Hikvision UK
T +44-1628-9021-4
support.uk@hikvision.com

Hikvision Singapore
T +65-6684-4718
sg@hikvision.com

Hikvision Oceania
T +61-2-8599-4233
salesau@hikvision.com

Hikvision Hong Kong
T +852-2151-1761

Hikvision Canada
T +1-909-895-0400
sales.usa@hikvision.com