

## DS-2CE56C2T-IR



### Key Features

- 1.3 Megapixel high-performance CMOS
- Analog HD output, up to 720P resolution
- True Day/Night
- DNR, Smart IR
- Up to 20m IR distance
- IP66 weatherproof

### Specification

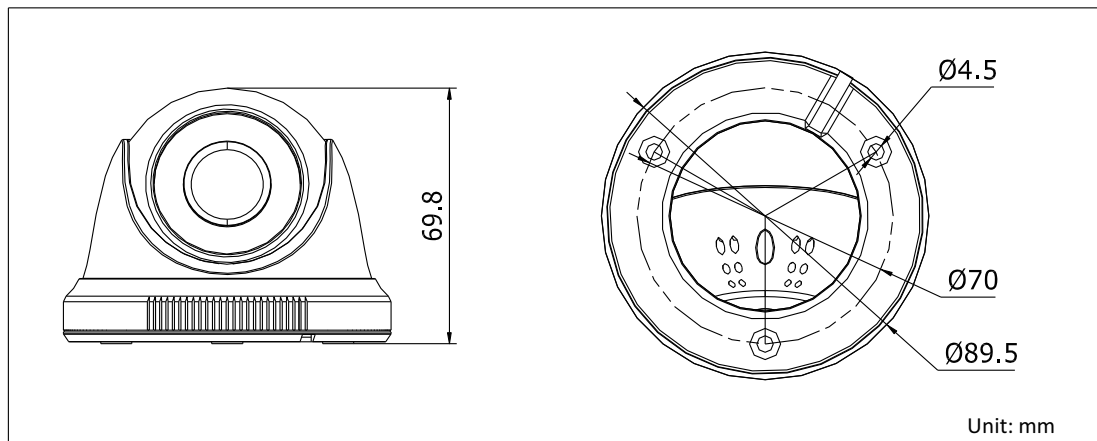
Model	DS-2CE56C2T-IR
Parameter	Turbo HD720p IR Turret Camera
Camera	
Image Sensor	1.3MP CMOS Image Sensor
Effective Pixels	1280(H)*960(V)
Min. Illumination	0.01 Lux @(F1.2,AGC ON), 0 Lux with IR
Shutter Time	1/25(1/30) s to 1/50,000 s
Lens	3.6mm (2.8mm, 6mm optional)
	Angle of View: 78°(3.6mm), 97.3°(2.8mm), 51.2°(6mm)
Lens Mount	M12
Angle Adjustment	Pan: 0 - 360°, Tilt: 0 - 75°, Rotation: 0 - 360°
Day & Night	ICR
Synchronization	Internal synchronization
Video Frame Rate	720p@25fps/720p@30fps
HD Video Output	1 Analog HD output
S/N Ratio	> 62dB

General	
Working Temperature/Humidity	-40 °C - 60 °C (-40 °F - 140 °F) Humidity 90% or less (non-condensing)
Power Supply	12V DC $\pm$ 15%
Power Consumption	Max. 4W
Weather Proof Ratings	IP66
IR Range	Up to 20m
Dimension	$\Phi$ 89.5 $\times$ 69.8 mm ( $\Phi$ 3.52" $\times$ 2.75")
Weight	260 g (0.57 lbs)

## Order Model

DS-2CE56C2T-IR

## Dimension



## Accessory



DS-1272ZJ-110-TRS  
Wall Mounting



DS-1275ZJ  
Vertical Pole Mounting



DS-1276ZJ  
Corner Mounting



DS-1H33  
Video Balun



DS-TT-X41T



DS-1280ZJ-XS

