

## DS-2CE56C2T-IT3



### Key Features

- 1.3 Megapixel high-performance CMOS
- Analog HD output, up to 720P resolution
- True Day/Night
- DNR, Smart IR
- EXIR technology, up to 40m IR distance
- IP66 weatherproof

### Specification

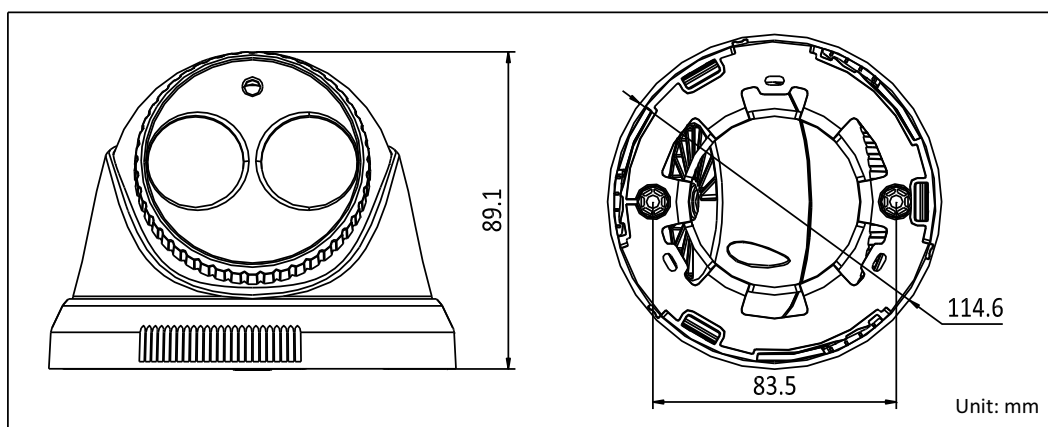
Model	DS-2CE56C2T-IT3
Parameter	Turbo HD720p EXIR Turret Camera
<b>Camera</b>	
Image Sensor	1.3MP CMOS Image Sensor
Effective Pixels	1280(H)*960(V)
Min. Illumination	0.01 Lux @(F1.2,AGC ON), 0 Lux with IR
Shutter Time	1/25(1/30) s to 1/50,000 s
Lens	3.6mm (2.8mm, 6mm, 8mm, 12mm, 16mm optional)
	Angle of View: 78°(3.6mm), 97.3°(2.8mm), 51.2°(6mm), 36°(8mm), 23°(12mm), 17.9°(16mm)
Lens Mount	M12
Angle Adjustment	Pan: 0 - 360°, Tilt: 0 - 75°, Rotation: 0 - 360°
Day & Night	ICR
Synchronization	Internal synchronization
Video Frame Rate	720p@25fps/720p@30fps
HD Video Output	1 Analog HD output
S/N Ratio	> 62dB

General	
Working Temperature/Humidity	-40 °C - 60 °C (-40 °F - 140 °F) Humidity 90% or less (non-condensing)
Power Supply	12V DC ± 15%
Power Consumption	Max. 4W
Weather Proof Ratings	IP66
IR Range	Up to 40m
Dimension	Φ114.6 × 89.1mm(Φ4.5" × 3.5")
Weight	300 g (0.66 lb)

## Order Model

DS-2CE56C2T-IT3

## Dimension



## Accessories



DS-1272ZJ-110  
Wall Mounting



DS-1275ZJ  
Vertical Pole Mounting



DS-1276ZJ  
Corner Mounting



DS-1280ZJ-S  
Junction Box



DS-1258ZJ  
Wall Mounting



DS-1281ZJ-S  
Inclined Ceiling Mounting



DS-1H18  
Video Balun



DS-TT-X41T  
TVI Tester