

DS-2CE56D5T-(A)VPIR3



Key Features

- 2 Megapixel high-performance CMOS
- Analog HD output, up to 1080P resolution
- 2.8 – 12mm vari-focal lens
- True Day/Night
- OSD menu, 3D DNR, Smart IR
- True WDR, up to 120dB
- Up to 40m IR distance
- IP66 weatherproof & vandal proof
- UTC function(Pelco C protocol)
- 24V AC/ 12V DC (-A)

Specification

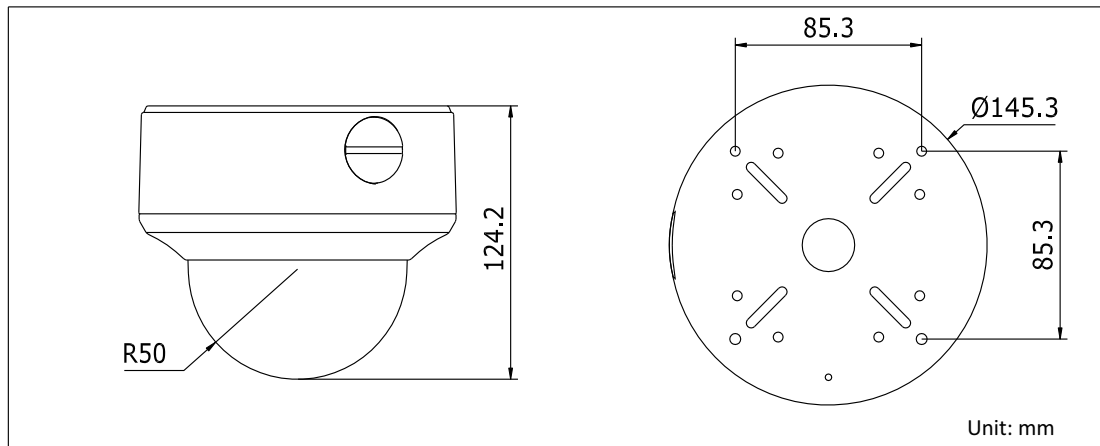
Model	DS-2CE56D5T-(A)VPIR3
Parameter	Turbo HD1080p Vandal Proof IR Dome Camera
Camera	
Image Sensor	1/3" CMOS Image Sensor
Signal System	PAL/NTSC
Effective Pixels	1944(H)*1092(V)
Min. Illumination	0.01 Lux @ (F1.2,AGC ON),0 Lux with IR 0.014 Lux @ (F1.4,AGC ON),0 Lux with IR
Shutter Time	1/25(1/30) s to 1/50,000 s
Lens	2.8-12mm @ F1.4
	Angle of view: 103° - 32.1°
Lens Mount	φ14

Angle Adjustment	Pan: 0 - 355°, Tilt: 0 - 75°, Rotation: 0 - 355°
Day & Night	ICR
Synchronization	Internal synchronization
WDR	120dB
Video Frame Rate	1080p@25fps/1080p@30fps
HD Video Output	1 Analog HD output
CVBS Output	1Vp-p Composite Output(75Ω/BNC)
S/N Ratio	> 62dB
Menu	
Scene	Indoor, Outdoor, Indoor1, LOW-LIGHT
Camera ID	On/off (15 characters, position programmable)
AGC	Support
D/N Mode	Color/BW/EXT
White Balance	ATW, AWC-SET, Indoor, Outdoor, Manual
Privacy Mask	On/Off, maximum 8 zones
Motion Detection	On/Off, maximum 4 zones
BLC	Support
Anti-flicker	On/off
Language	English, Japanese, CHN1, CHN2, Korean, German, French, Italian, Spanish, Polish, Russian, Portuguese, Dutch, Turkish, Hebrew and Arabic
Functions	Eclipse, Digital noise reduction, Digital zoom(62x), Slow shutter, Mirror, Defog, Defect pixel correction, SMART D-ZOOM
General	
Working Temperature/Humidity	-30 °C – 60 °C (-22 °F – 140 °F) Humidity 90% or less (non-condensing)
Power Supply	12 VDC ± 15% -A: 12 VDC ± 15%, 24 VAC ± 15%
Power Consumption	Max. 4W -A: Max. 6W
Weather Proof Ratings	IP66
IR Range	Up to 40m
Impact Protection	IK10.
Communication	Up the coax Protocol: Pelco-C(CVBS output), HIKVISION-C(TVI output)
Dimensions	Φ 145.3 × 124.2 mm (Φ 5.72" × 4.89")
Weight	880 g (1.95 lb)

Order Model

DS-2CE56D5T-AVPIR3, DS-2CE56D5T-VPIR3

Dimensions



Accessory



DS-1273ZJ-130
Wall Mounting



DS-1275ZJ
Vertical Pole Mounting



DS-1276ZJ
Corner Mounting



DS-1271ZJ-130
Pendant Mounting



DS-1273ZJ-130B
Wall Mounting



DS-1241ZJ
In-ceiling Mounting



DS-1240ZJ
Inclined Ceiling Mounting



DS-1253ZJ-L
Rain Shade



DS-1250ZJ
Rain Shade



DS-1H18
Video Balun



DS-TT-X41T
TVI Tester